



1"-5/8 x 1"-1/2

CRI > 80

TOPIX

4000 K

2 x LED [A] 1.1W / 130lm / 350mA

6 304 17 04 ◊
◊ = A / W

3000 K

2 x LED [A] 1.1W / 120lm / 350mA

6 304 17 02 ◊
◊ = A / W

0.2 IP20 DAMP

FULL INFO TECHNICAL CHAPTER

OPTIONS

INSTALLATION



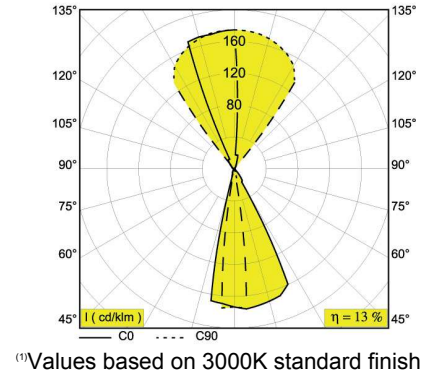
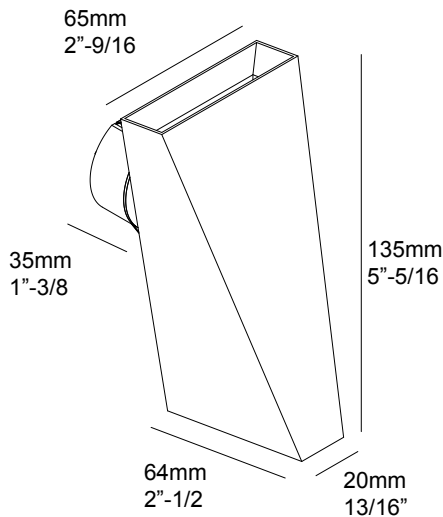
MUD KIT 4 4"-1/16 x 4"-1/16 x 1/2"
6 207 02 04

CONCRETE BOX 153 1"-11/16 x 1"-11/16 x 2"-3/8
302 20 21

CONCRETE BOX TR 154 1"-11/16 x 1"-11/16 x 2"-3/8
302 20 22

CONTROL GEAR

LED POWER SUPPLY
ALL INFO ON FOLD-OUT COVER



Application
Wall surface
For indoor use only

Color Finish
A - Alu Grey
W - White

Light Source
Two LED white included 1,1W

Delivered Lumens
31lm at 3000K⁽¹⁾
34lm at 4000K

Power Supply
Electronic power supply, not included.
350mA current controlled required

Specification features
Surface treated aluminum housing
Suitable for dry or damp locations
Protected against solid objects greater than 12mm | 1/2" → IP20
Weight: 0,2lbs 0,1kg

Dimensions
Height: 135mm = 5"-5/16
Depth: 64mm = 1"-3/8
Length: 65mm = 2"-1/2

PROJECT INFO

Date _____

Client _____

Project Name _____

Type/Quantity _____