

CRI > 80	TOPIX L X W W
3000 K	2 x LED 3.5W / 210lm / 350mA
	6 304 17 52 ◇ ◇ = A / G

120V / 60Hz
2.2 IP55 WET

FULL INFO TECHNICAL CHAPTER

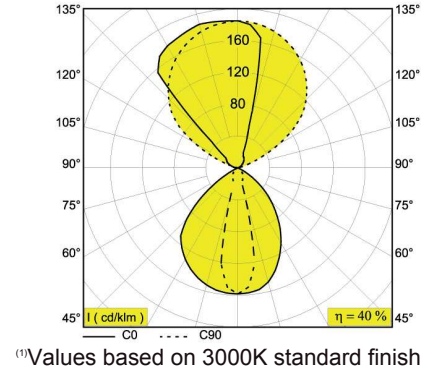
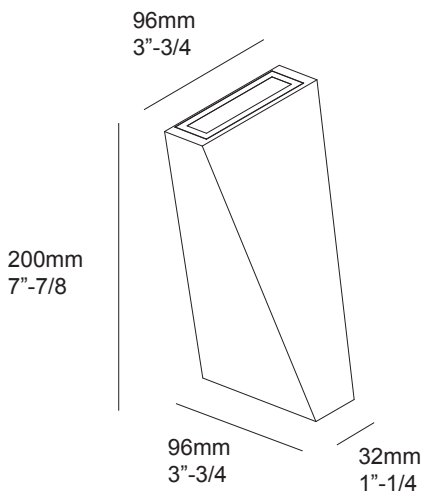
OPTIONS

INSTALLATION



MUD KIT 2
6 207 02 02

4"-1/16 x 4"-1/16 x 1/2"



Application
Wall surface
For indoor and outdoor use

Color Finish
A - Alu Grey
G - Grey Brown

Light Source
Two LED white included 3,5W

Delivered Lumens
31lm at 3000K⁽¹⁾

Power Supply
Electronic power supply included.
120V current controlled required

Specification features
Surface treated aluminum housing
Suitable for dry , damp and wet locations
Dust-protected - Protected against water jets → IP55
Weight: 2,2lbs 1kg

Dimensions
Height: 200mm = 7"-7/8
Depth: 96mm = 3"-3/4
Length: 96mm = 3"-3/4

PROJECT INFO

Date _____

Client _____

Project Name _____

Type/Quantity _____