

3" x 2"-3/16" max.7/8"

CRI > 90

REO X S1

3500 K

LED [H] 10.4W /1109lm / 500mA
LED [H] 15W /1492lm / 700mA

REFL FL 33°

6 202 25 811 952 ◇
◇ = A / B / W

3000 K

LED [H] 10.4W /1075lm / 500mA
LED [H] 10.4W /1446lm / 700mA

REFL FL 33°

6 202 25 811 932 ◇
◇ = A / B / W

2700 K

LED [H] 10.4W /1032lm / 500mA
LED [H] 10.4W /1388lm / 700mA

REFL FL 33°

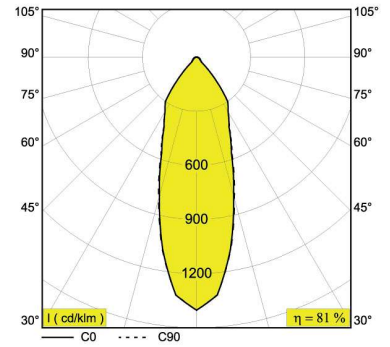
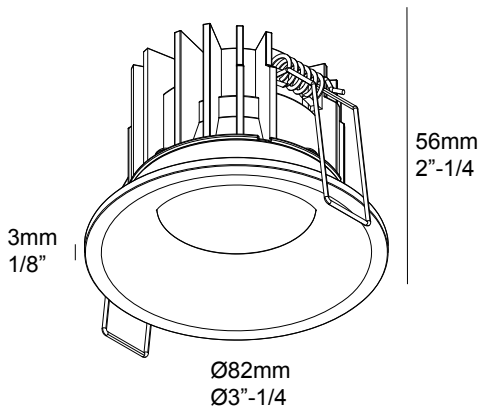
6 202 25 811 922 ◇
◇ = A / B / W

NON ADJUSTABLE

0.4 IP20 WET
IP44

REQUIREMENTS

ROUGH-IN
REMODEL NON-IC



⁽¹⁾Values based on 3000K standard finish

Application

Finishing section to be used with DELTA LIGHT ROUGH-IN or REMODEL NIC
For indoor and outdoor use

Color Finish

A - Alu Grey
W - White
B - Black

Light Source

One Max.15W LED included

Delivered Lumens

3500K⁽¹⁾ - FL-33°- 903lm at 500mA / 1208lm at 700mA
3000K⁽¹⁾ - FL-33°- 875lm at 500mA / 1172lm at 700mA
2700K⁽¹⁾ - FL-33°- 840lm at 500mA / 1124lm at 700mA

Power Supply

Included in rough-in or remodel option

Specification features

Housing fabricated of powder coated steel, powder coated steel trim
Pre-installed springs for easy installation
Suitable for dry, damp and wet location
Weight: 0.4lbs

Dimensions

Ceiling Cut out: Ø3"

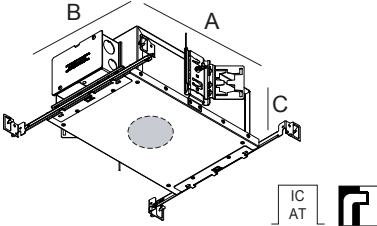
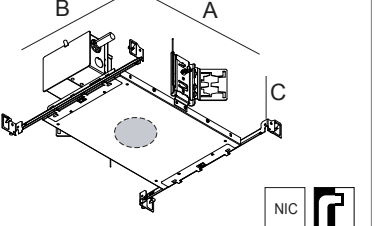
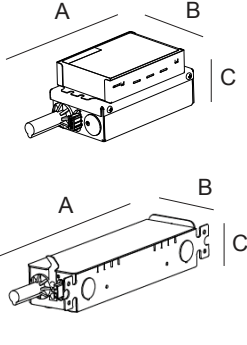
PROJECT INFO

Date _____

Client _____

Project Name _____

Type/Quantity _____

HOUSING	PLASTERFRAME	REMODEL
<p>S-SMALL: A:15"-7/16 x B:8"-11/16 x C:5" A:393mm x B:220mm x C:127mm</p> 	<p>S-SMALL: A:15"-7/16 x B:8"-11/16 x C:5" A:393mm x B:220mm x C:127mm</p> 	 <p>0-10V DIM : A:7"-1/2 x B:3" x C:3" A:190mm x B:76mm x C:76mm</p> <p>MAINS / LUTRON® ECO DIM: A:11"-1/4 x B:2"-1/2 x C:2"-1/2 A:286mm x B:63mm x C:63mm</p>

 Indicative opening

HOUSING

Code	Description
6 202 7108 47 31	IC AT HSG S 500mA-DC 10.4W 0-10V Dim 120-277V Plate 47
6 202 7102 47 11	IC AT HSG S 500mA-DC 10.4W Mains Dim 120V Plate 47
6 202 7122 47 31	IC AT HSG S 500mA-DC 10.4W Hi-Lume EcoSystem ¹ 120-277V Plate 47

PLASTERFRAME

Code	Description
6 202 01108 47 11	NIC PF S 500mA-DC 10.4W 0-10V Dim 120V Plate 47
6 202 01108 47 21	NIC PF S 500mA-DC 10.4W 0-10V Dim 277V Plate 47
6 202 01109 47 11	NIC PF S 700mA-DC 15W 0-10V Dim 120V Plate 47
6 202 01109 47 21	NIC PF S 700mA-DC 15W 0-10V Dim 277V Plate 47
6 202 01102 47 11	NIC PF S 500mA-DC 10.4W Mains Dim 120V Plate 47
6 202 01103 47 11	NIC PF S 700mA-DC 15W Mains Dim 120V Plate 47
6 202 01122 47 11	NIC PF S 500mA-DC 10.4W Hi-Lume EcoSystem ¹ 120V Plate 47
6 202 01122 47 21	NIC PF S 500mA-DC 10.4W Hi-Lume EcoSystem ¹ 277V Plate 47
6 202 01123 47 11	NIC PF S 700mA-DC 15W Hi-Lume EcoSystem ¹ 120V Plate 47
6 202 01123 47 21	NIC PF S 700mA-DC 15W Hi-Lume EcoSystem ¹ 277V Plate 47
6 202 0122 47 11	NIC PF S 650mA-DC 13W Mains Dim 120V Plate 47

POWER SUPPLY

Code	Description
6 202 920 99 11	NIC POWER SUPPLY 500mA-DC 25W 0-10V Dim 120V
6 202 920 99 21	NIC POWER SUPPLY 500mA-DC 25W 0-10V Dim 277V
6 202 969 99 11	NIC POWER SUPPLY 700mA-DC 25W 0-10V Dim 120V
6 202 969 99 21	NIC POWER SUPPLY 700mA-DC 25W 0-10V Dim 277V
6 202 919 99 11	NIC POWER SUPPLY 500mA-DC 12W Mains Dim 120V
6 202 921 99 11	NIC POWER SUPPLY 700mA-DC 25W Mains Dim 120V
6 202 9122 99 11	NIC POWER SUPPLY 500mA-DC 15W Hi-Lume EcoSystem ¹ 120V
6 202 9122 99 21	NIC POWER SUPPLY 500mA-DC 15W Hi-Lume EcoSystem ¹ 277V
6 202 9123 99 11	NIC POWER SUPPLY 700mA-DC 16W Hi-Lume EcoSystem ¹ 120V
6 202 9123 99 21	NIC POWER SUPPLY 700mA-DC 16W Hi-Lume EcoSystem ¹ 277V

¹DIMMING: Lutron Hi-Lume 1% EcoSystem LED driver with Softon, Fade-to-Black dimming technology - PEQ1E