



3"-7/8 x 2"-3/16 / max.1"-3/16

CRI > 90

REO OK S1

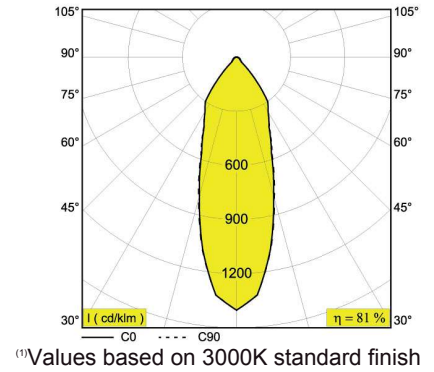
3500 K	LED [H] 10.4W / 1109lm / 500mA LED [H] 15W / 1492lm / 700mA
REFL FL 33°	6 202 37 811 952 ◊ ◊= B / W
REFL WFL 50°	6 202 37 811 953 ◊ ◊= B / W
3000 K	LED [H] 10.4W / 1075lm / 500mA LED [H] 15W / 1446lm / 700mA
REFL FL 33°	6 202 37 811 932 ◊ ◊= B / W
REFL WFL 50°	6 202 37 811 933 ◊ ◊= B / W
2700 K	LED [H] 10.4W / 1032lm / 500mA LED [H] 15W / 1388lm / 700mA
REFL FL 33°	6 202 37 811 922 ◊ ◊= B / W
REFL WFL 50°	6 202 37 811 923 ◊ ◊= B / W

ADJUSTABLE 0-30° / 350°

0.7 IP20 DAMP

REQUIREMENTS

ROUGH-IN
REMODEL NON-IC



Application

Finishing section to be used with DELTA LIGHT ROUGH-IN or REMODEL NIC
For indoor use only

Color Finish

B - Black
W - White

Light Source

One Max.15W LED included

Delivered Lumens

- 3500K⁽¹⁾ - FL33° - 903lm at 500mA / 1208 at 700mA
- 3500K⁽¹⁾ - WFL50° - 892lm at 500mA / 1193 at 700mA
- 3000K⁽¹⁾ - FL33° - 875lm at 500mA / 1171 at 700mA
- 3000K⁽¹⁾ - WFL50° - 865lm at 500mA / 1157 at 700mA
- 2700K⁽¹⁾ - FL33° - 840lm at 500mA / 1124 at 700mA
- 2700K⁽¹⁾ - WFL50° - 830lm at 500mA / 1110 at 700mA

Power Supply

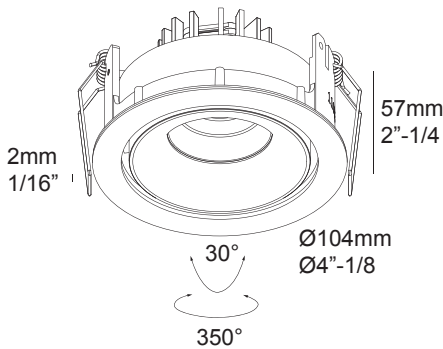
Included in rough-in or remodel option

Specification features

Housing fabricated of powder coated steel, powder coated steel trim
Pre-installed springs for easy installation
Suitable for dry and damp location
Weight: 0.7lbs

Dimensions

Ceiling cut out: Ø3"-7/8



PROJECT INFO

Date

Client

Project Name

Type/Quantity



CRI > 90

REO OK SOFT S1



LED 9.5W / 760lm / 650mA



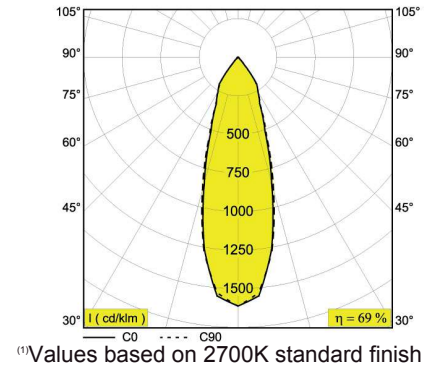
6 202 37 1902 ◊
◊ = B / W

ADJUSTABLE 0-30° / 350°

0.7 IP20 DAMP

REQUIREMENTS

ROUGH-IN
REMODEL NON-IC



Application

Finishing section to be used with DELTA LIGHT ROUGH-IN or REMODEL NIC
For indoor use only

Color Finish

B - Black
W - White

Light Source

One Max. 9.5W LED included

Delivered Lumens

2700K⁽¹⁾ - WFL40° - 521lm at 650mA

Power Supply

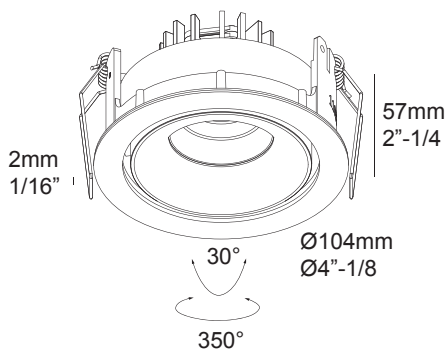
Included in rough-in or remodel option.

Specification features

Housing fabricated of powder coated steel, powder coated steel trim
Pre-installed springs for easy installation
Suitable for dry and damp location
Weight: 0.7lbs

Dimensions

Ceiling cut out: Ø3"-7/8



PROJECT INFO

Date

Client

Project Name

Type/Quantity
