

**CLASS 2** 3"-11/16 x 1"-9/16

**CRI > 80** **LOGIC F1**

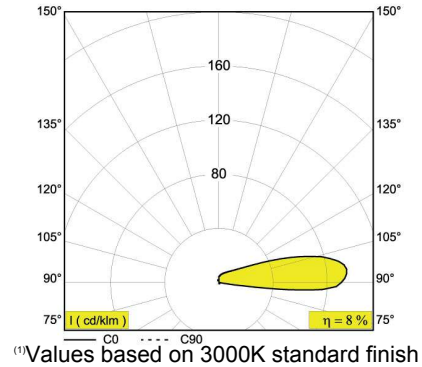
**3000 K** LED 0.6W / 40lm / 24V-DC

**6 213 47 112** ◇  
◇ = A

---

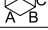
max. 1323lb

**0.7** IP67 WET

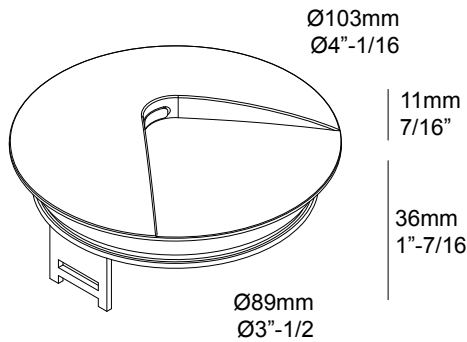


FULL INFO TECHNICAL CHAPTER

**OPTIONS**

**INSTALLATION**   
**GENIE BOX 90 R** 8"-11/16 x 6"-1/8 x 5"-3/4  
**6 213 19 09**

**CONTROL GEAR**  
**LED POWER SUPPLY** 12"-1/8 x 2"-3/8 x 1"-3/8  
**24V-DC / 96W**  
**6 300 89 24 96**



**Application**  
 Finishing section to be used with DELTA LIGHT GENIE BOX 90 R  
 For indoor and exterior use

**Color Finish**  
 A = ALU Grey

**Light Source**  
 One Max. 0,6W LED included

**Delivered Lumens**  
 3lm at 3000K<sup>(1)</sup> at 24V-DC

**Power Supply**  
 LED power supply 24V-DC, not included

**Specification features**  
 Housing fabricated of powder coated steel, powder coated steel trim  
 Pre-installed springs for easy installation  
 Suitable for dry ,damp and wet location  
 Dust-tight - Protected against the effects of temporary immersion ➔ IP67  
 Weight: 0,7lbs 0,32kg

**Dimensions**  
 Depth: 36mm = 1"-7/16  
 Diameter: Ø103mm = Ø4"-1/16

**PROJECT INFO**

Date \_\_\_\_\_

Client \_\_\_\_\_

Project Name \_\_\_\_\_

Type/Quantity \_\_\_\_\_

**CLASS 2** 3"-11/16 x 1"-9/16

**CRI > 80** **LOGIC F2**

**3000 K** 2 x LED 0.6W / 40lm / 24V-DC

**6 213 47 122** ◇  
◇ = A

max. 1.323lb

**0.7** IP67 WET

FULL INFO TECHNICAL CHAPTER

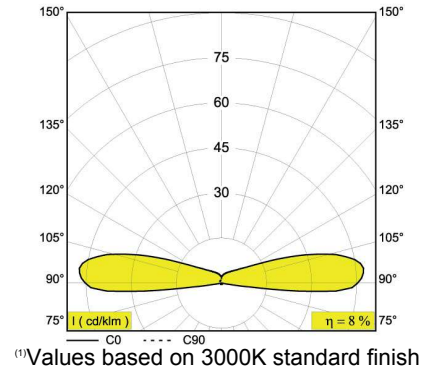
**OPTIONS**

**INSTALLATION**

**GENIE BOX 90 R** 8"-11/16 x 6"-1/8 x 5"-3/4  
**6 213 19 09**

**CONTROL GEAR**

**LED POWER SUPPLY** 12"-1/8 x 2"-3/8 x 1"-3/8  
**24V-DC / 96W**  
**6 300 89 24 96**



**Application**  
Finishing section to be used with DELTA LIGHT GENIE BOX 90 R  
For indoor and exterior use

**Color Finish**  
A = ALU Grey

**Light Source**  
Two Max. 0,6W LED included

**Delivered Lumens**  
7lm at 3000K<sup>(1)</sup> at 24V-DC

**Power Supply**  
LED power supply 24V-DC, not included

**Specification features**  
Housing fabricated of powder coated steel, powder coated steel trim  
Pre-installed springs for easy installation  
Suitable for dry ,damp and wet location  
Dust-tight - Protected against the effects of temporary immersion → IP67  
Weight: 0,7lbs 0,32kg

**Dimensions**  
Depth: 36mm = 1"-7/16  
Diameter: Ø103mm = Ø4"-1/16

**PROJECT INFO**

Date \_\_\_\_\_

Client \_\_\_\_\_

Project Name \_\_\_\_\_

Type/Quantity \_\_\_\_\_

