

Class
2



CRI > 90	KIX 1 PIN
3500 K	LED 7.1W / 798lm
REFL SP 11°	6 232 111 811 951 ◊ ◊ = A / N
REFL FL 30°	6 232 111 811 952 ◊ ◊ = A / N
REFL WFL 55°	6 232 111 811 953 ◊ ◊ = A / N
WFL 120°	6 232 111 811 950 ◊ ◊ = A / N
3000 K	LED 7.1W / 774lm
REFL SP 11°	6 232 111 811 931 ◊ ◊ = A / N
REFL FL 30°	6 232 111 811 932 ◊ ◊ = A / N
REFL WFL 55°	6 232 111 811 933 ◊ ◊ = A / N
WFL 120°	6 232 111 811 930 ◊ ◊ = A / N
ADJUSTABLE INCL.1 x CABLE 2 x 18 AWG 6'	
26 IP65 WET	

FULL INFO TECHNICAL CHAPTER **OPTIONS**

INSTALLATION

JUNCTION BOX 5"-1/2 x 5"-1/2 x 6"-13/16
6 216 12 00

IP67 CONNECTOR 3P Ø 1"1/16 x 6"5/8
6 216 12 02

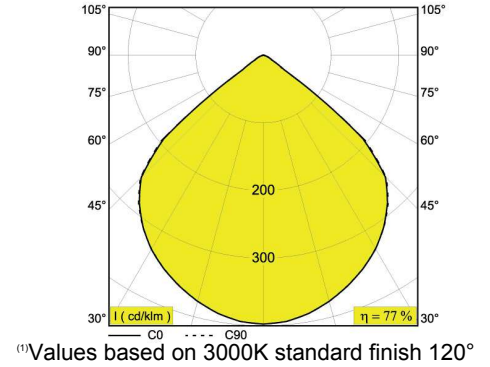
CONTROL GEAR
LED POWER SUPPLY
ALL INFO ON FOLD-OUT COVER

LED POWER SUPPLY 12"-1/8 x 2"-3/8 x 1"-3/8
24V-DC / 96W
6 300 89 24 96

FULL INFO TECHNICAL CHAPTER **ACCESSORIES**

KAP KIX ◊ Ø4" x Ø3"-3/16 x 3"-7/8
232 10 00 ◊
◊ = N

HONEYCOMB KIX ◊ Ø2"-3/4
232 10 03 ◊
◊ = N



Application
For indoor and outdoor use
Floor surface mounted.

Light Source
One Max. 7,1W LED included

Color Finish
A - ALU Grey
N - Dark Grey

Delivered Lumens
592lm at 3000K⁽¹⁾ at 24V-DC with 120° angle
686lm at 3000K⁽¹⁾ at 24V-DC with 11° angle
633lm at 3000K⁽¹⁾ at 24V-DC with 30° angle
635lm at 3000K⁽¹⁾ at 24V-DC with 55° angle
611lm at 3500K⁽¹⁾ at 24V-DC with 120° angle
707lm at 3500K⁽¹⁾ at 24V-DC with 11° angle
633lm at 3500K⁽¹⁾ at 24V-DC with 30° angle
655lm at 3500K⁽¹⁾ at 24V-DC with 55° angle

Power Supply
LED power supply 24V-DC (non-dimmable), not included

Specification features
Housing fabricated of powder coated steel, powder coated steel trim
Pre-installed springs for easy installation
Suitable for dry, damp and wet location
Dust-tight - Protected against waterjets → IP65
Weight: 2,6lbs 1,18kg

Dimensions
Height: 700mm = 27"-9/16
Diameter: Ø 105mm = Ø4"-1/8

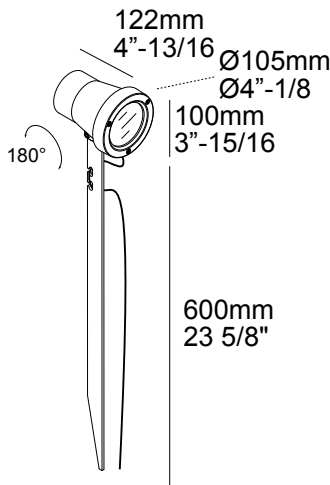
PROJECT INFO

Date _____

Client _____

Project Name _____

Type/Quantity _____



Class 2



CRI > 90	KIX HP 1 PIN
3500 K	LED [J] 16.8W / 2068lm
REFL SP 11°	6 232 111 21 951 ◊ ◊ = A / N
REFL FL 30°	6 232 111 21 952 ◊ ◊ = A / N
REFL WFL 55°	6 232 111 21 953 ◊ ◊ = A / N
3000 K	LED [J] 16.8W / 1995lm
REFL SP 11°	6 232 111 21 931 ◊ ◊ = A / N
REFL FL 30°	6 232 111 21 932 ◊ ◊ = A / N
REFL WFL 55°	6 232 111 21 933 ◊ ◊ = A / N

ADJUSTABLE
INCL. 1 x CABLE 2 x 18 AWG 6'

22 IP65 WET

FULL INFO TECHNICAL CHAPTER

OPTIONS

INSTALLATION
JUNCTION BOX
6 216 12 00

5"-1/2 x 5"-1/2 x 6"-13/16

IP67 CONNECTOR 3P
6 216 12 02

Ø 1 1/16 x 6" 5/8



CONTROL GEAR

LED POWER SUPPLY
ALL INFO ON FOLD-OUT COVER



LED POWER SUPPLY 11"-3/16 x 4"-1/16 x 2"-3/16
48V-DC / 75W
6 300 89 48 75

LED POWER SUPPLY 12"-1/8 x 2"-3/4 x 1"-3/8
48V-DC / 96W
6 300 89 48 96

FULL INFO TECHNICAL CHAPTER

ACCESSORIES

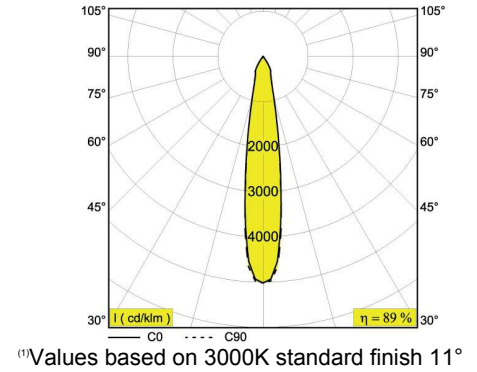
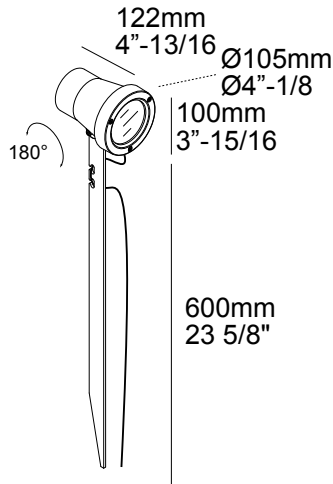
KAP KIX ◊
232 10 00 ◊
◊ = N

Ø 4" x Ø 3"-3/16 x 3"-7/8



HONEYCOMB KIX ◊
232 10 03 ◊
◊ = N

Ø 2"-3/4



Application

For indoor and outdoor use
Floor surface mounted.

Light Source

One Max. 16,8W LED included

Color Finish

A - ALU Grey
N - Dark Grey

Delivered Lumens

1768lm at 3000K⁽¹⁾ at 48V-DC with 11° angle
1632lm at 3000K⁽¹⁾ at 48V-DC with 30° angle
1636lm at 3000K⁽¹⁾ at 48V-DC with 55° angle
1833lm at 3500K⁽¹⁾ at 48V-DC with 11° angle
1691lm at 3500K⁽¹⁾ at 48V-DC with 30° angle
1696lm at 3500K⁽¹⁾ at 48V-DC with 55° angle

Power Supply

LED power supply 48V-DC (non-dimmable), not included

Specification features

Housing fabricated of powder coated steel, powder coated steel trim
Pre-installed springs for easy installation
Suitable for dry, damp and wet location
Dust-tight - Protected against waterjets → IP65
Weight: 2,6lbs 1,18kg

Dimensions

Height: 700mm = 27"-9/16
Diameter: Ø 105mm = Ø 4"-1/8

PROJECT INFO

Date _____

Client _____

Project Name _____

Type/Quantity _____