



**GRID IN 1 QR IC**

AR111 max.75W

6 202 62 00 01 ◇

◇ = A-A / A-B / W-W

ADJUSTABLE 0°- 30°  
G53 / 12V

2.2 IP20 DAMP

REQUIREMENTS  
ROUGH-IN



**Application**  
Ceiling recessed mounted  
For indoor use only

**Color Finish**  
A-A - Alu Grey-Alu Grey  
A-B - Alu Grey-Black  
W-W - White-White

**Light Source**  
One G53 / AR111 MAX. 75W not included

**Specification features**  
Surface treated aluminum housing  
Suitable for dry or damp locations  
Protected against solid objects greater than 12mm | 1/2" → IP20  
Weight: 2,2lbs 1kg

**Dimensions**  
Height: 110mm = 4"-5/16  
Width: 177mm = 7"  
Length: 177mm = 7"

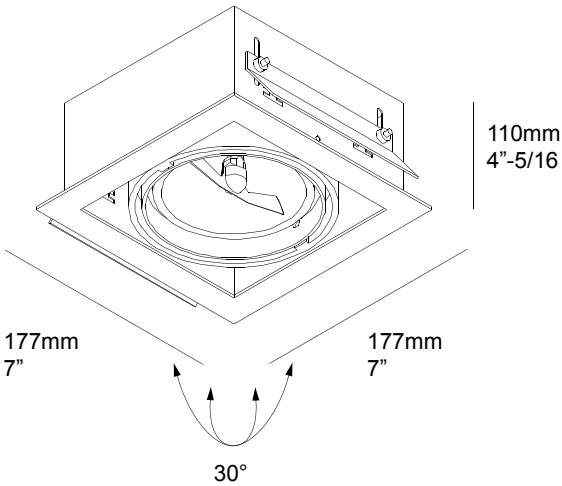
**PROJECT INFO**

Date \_\_\_\_\_

Client \_\_\_\_\_

Project Name \_\_\_\_\_

Type/Quantity \_\_\_\_\_





**GRID IN 2 QR IC**

2 x AR111 max.50W

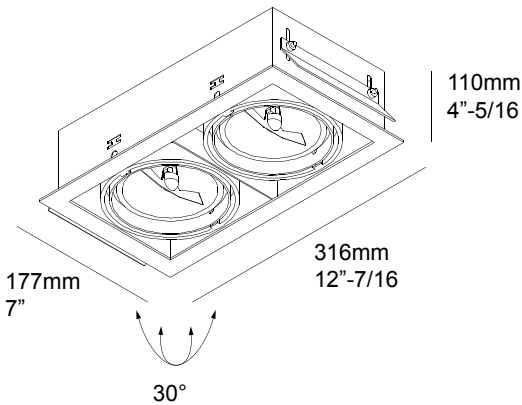
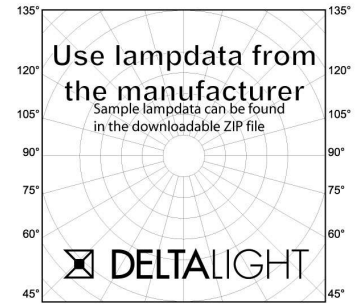
6 202 62 00 02 ◇  
 ◇ = A-A / A-B / W-W

---

ADJUSTABLE 0°- 30°  
 G53 / 12V

3.5 IP20 DAMP

REQUIREMENTS  
 ROUGH-IN



**Application**  
 Ceiling recessed mounted  
 For indoor use only

**Color Finish**  
 A-A - Alu Grey-Alu Grey  
 A-B - Alu Grey-Black  
 W-W - White-White

**Light Source**  
 Two G53 / AR111 MAX. 50W not included

**Specification features**  
 Surface treated aluminum housing  
 Suitable for dry or damp locations  
 Protected against solid objects greater than 12mm | 1/2" → IP20  
 Weight: 3,5lbs 1,6kg

**Dimensions**  
 Height: 110mm = 4"-5/16  
 Width: 316mm = 12"-7/16  
 Length: 177mm = 7"

**PROJECT INFO**

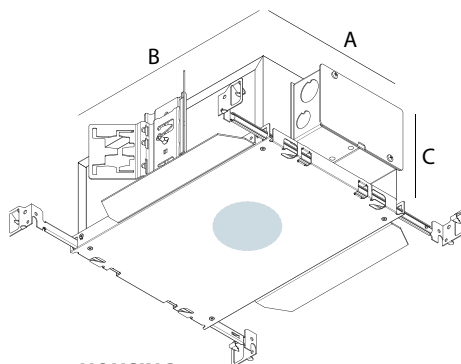
Date \_\_\_\_\_

Client \_\_\_\_\_

Project Name \_\_\_\_\_

Type/Quantity \_\_\_\_\_

A:17"-1/2 x B:14"-3/4 x C:8"-1/2  
 A:445mm x B:400mm x C:216mm



● Indicative opening

HOUSING FOR IC AND/OR AIRTIGHT APPLICATIONS

ROUGH-IN REQUIREMENTS

A		B		C1		C2		D		E1		E2	
RANGE		INSTALLATION TYPE		POWER & DIMMING		VOLTAGE		MOUNTING OPTION					
						1 - 120V 2 - 277V 3 - 120-277V 4 - 347V*		0 - NO BAR HANGERS 1 - BAR HANGERS STANDARD					
A	B	C1	C2	D	E1	E2							
6	202	6	03	38	1	120V	GRID IN 1 QR IC						
6	202	6	06	39	1	120V	GRID IN 2 QR IC						



**GRID IN 1 QR NIC**

1 x AR111 max.50W

**6 202 62 00 01 1** ◇  
 ◇ = A-A / A-B / W-W

ADJUSTABLE 0°- 30°  
 G53 / 120V / 60Hz / TRF

**1.5** IP20 DAMP

**REQUIREMENTS**  
 GRID IN 1 MOUNTING KIT NC  
 or  
 GRID IN 1 MOUNTING KIT RM



**Application**  
 Ceiling recessed mounted  
 For indoor use only

**Color Finish**  
 A-A - Alu Grey-Alu Grey  
 A-B - Alu Grey-Black  
 W-W - White-White

**Light Source**  
 One G53 / AR111 MAX. 50W not included

**Specification features**  
 Surface treated aluminum housing  
 Suitable for dry or damp locations  
 Protected against solid objects greater than 12mm | 1/2" → IP20  
 Weight: 2,2lbs 1kg

**Dimensions**  
 Height: 110mm = 4"-5/16  
 Width: 177mm = 7"  
 Length: 177mm = 7"

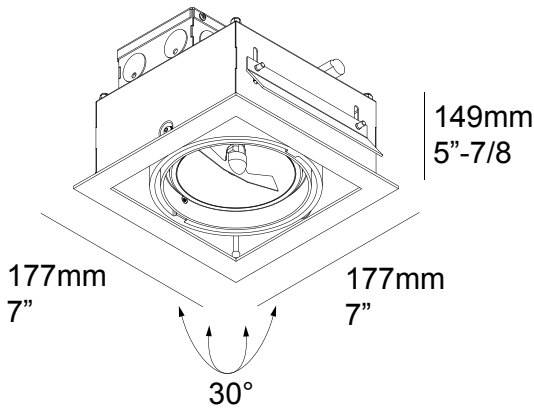
**PROJECT INFO**

Date \_\_\_\_\_

Client \_\_\_\_\_

Project Name \_\_\_\_\_

Type/Quantity \_\_\_\_\_



**GRID IN 2 QR NIC**

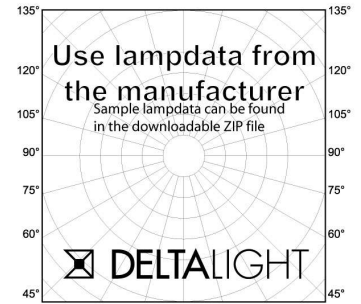
2 x AR111 max.50W

6 202 62 00 02 1 ◊  
= A-A / A-B / W-W

ADJUSTABLE 0° - 30°  
G53 / 120V / 60Hz / TRF

3.1 IP20 DAMP

REQUIREMENTS  
GRID IN 2 MOUNTING KIT NC  
or  
GRID IN 2 MOUNTING KIT RM



**Application**  
Ceiling recessed mounted  
For indoor use only

**Color Finish**  
A-A - Alu Grey-Alu Grey  
A-B - Alu Grey-Black  
W-W - White-White

**Light Source**  
Two G53 / AR111 MAX. 50W not included

**Specification features**  
Surface treated aluminum housing  
Suitable for dry or damp locations  
Protected against solid objects greater than 12mm | 1/2" ➔ IP20  
Weight: 3,5lbs 1,6kg

**Dimensions**  
Height: 155mm = 6"-2/16  
Width: 316mm = 12"-7/16  
Length: 177mm = 7"

**PROJECT INFO**

Date \_\_\_\_\_

Client \_\_\_\_\_

Project Name \_\_\_\_\_

Type/Quantity \_\_\_\_\_

