



CRI > 90

DOT.COM L2 ON

3500 K

2 x LED [Y] 2W / 219lm / 700mA

LENS SP 16° 6 424 113 02 951 ED8 ◇  
◇ = B-B / W-B

LENS FL 32° 6 424 113 02 952 ED8 ◇  
◇ = B-B / W-B

LENS WFL 46° 6 424 113 02 953 ED8 ◇  
◇ = B-B / W-B

3000 K

2 x LED [Y] 2W / 210lm / 700mA

LENS SP 16° 6 424 113 02 933 ED8 ◇  
◇ = B-B / W-B

LENS FL 32° 6 424 113 02 933 ED8 ◇  
◇ = B-B / W-B

LENS WFL 46° 6 424 113 02 933 ED8 ◇  
◇ = B-B / W-B

2700 K

2 x LED [Y] 2W / 204lm / 700mA

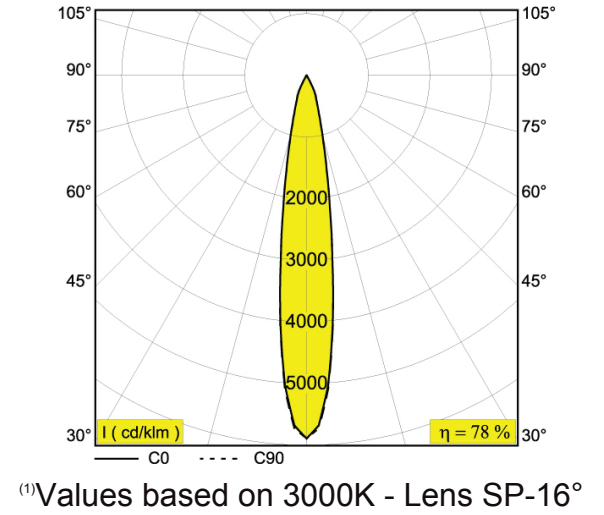
LENS SP 16° 6 424 113 02 921 ED8 ◇  
◇ = B-B / W-B

LENS FL 32° 6 424 113 02 922 ED8 ◇  
◇ = B-B / W-B

LENS WFL 46° 6 424 113 02 923 ED8 ◇  
◇ = B-B / W-B

NON ADJUSTABLE

1.5 IP20 DAMP



**Application**

For indoor use only

**Color Finish**

B - Black  
W - White

**Light Source**

Two 2W LED included

**Delivered Lumens**

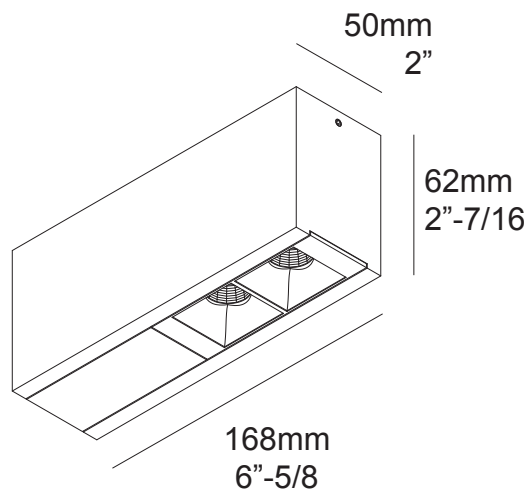
- 3500K<sup>(1)</sup> - Lens SP-16° - 342lm at 700mA
- 3500K<sup>(1)</sup> - Lens FL-32° - 294lm at 700mA
- 3500K<sup>(1)</sup> - Lens WFL-46° - 220lm at 700mA
- 3000K<sup>(1)</sup> - Lens SP-16° - 327lm at 700mA
- 3000K<sup>(1)</sup> - Lens FL-32° - 282lm at 700mA
- 3000K<sup>(1)</sup> - Lens WFL-46° - 211lm at 700mA
- 2700K<sup>(1)</sup> - Lens SP-16° - 318lm at 700mA
- 2700K<sup>(1)</sup> - Lens FL-32° - 274lm at 700mA
- 2700K<sup>(1)</sup> - Lens WFL-46° - 205lm at 700mA

**Power Supply**

Included Mains Dimming LED Power Supply

**Specification features**

- Housing fabricated of powder coated steel, powder coated steel trim
- 1/2" EMT installatio
- Suitable for dry and damp location
- Weight: 1.5lbs



**PROJECT INFO**

Date

Client

Project Name

Type/Quantity



CRI > 90

DOT.COM L4 ON

3500 K

4 x LED [Y] 3.1W / 308lm / 1050mA

LENS SP 16° **6 424 113 04 951 ED8** ◇  
◇ = B-B / W-B

LENS FL 32° **6 424 113 04 952 ED8** ◇  
◇ = B-B / W-B

LENS WFL 46° **6 424 113 04 953 ED8** ◇  
◇ = B-B / W-B

3000 K

4 x LED [Y] 3.1W / 296lm / 1050mA

LENS SP 16° **6 424 113 04 933 ED8** ◇  
◇ = B-B / W-B

LENS FL 32° **6 424 113 04 933 ED8** ◇  
◇ = B-B / W-B

LENS WFL 46° **6 424 113 04 933 ED8** ◇  
◇ = B-B / W-B

2700 K

4 x LED [Y] 3.1W / 288lm / 1050mA

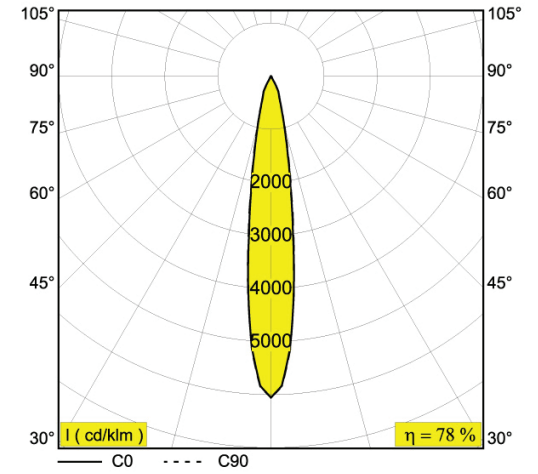
LENS SP 16° **6 424 113 04 921 ED8** ◇  
◇ = B-B / W-B

LENS FL 32° **6 424 113 04 922 ED8** ◇  
◇ = B-B / W-B

LENS WFL 46° **6 424 113 04 923 ED8** ◇  
◇ = B-B / W-B

NON ADJUSTABLE

2.2 IP20 DAMP



(1) Values based on 3000K - Lens SP-16°

**Application**

For indoor use only

**Color Finish**

B - Black  
W - White

**Light Source**

Four 3.1W LED included

**Delivered Lumens**

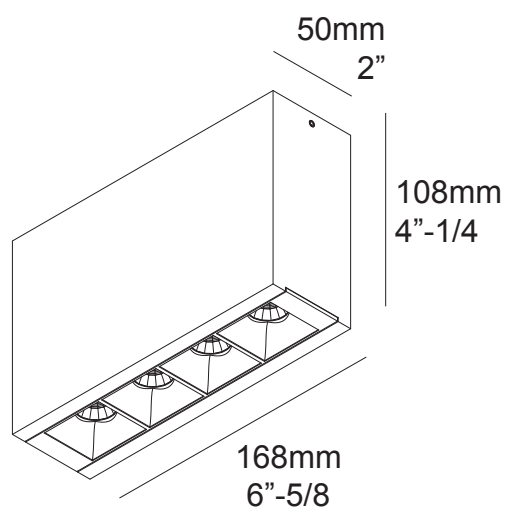
- 3500K<sup>(1)</sup> - Lens SP-16° - 964lm at 1050mA
- 3500K<sup>(1)</sup> - Lens FL-32° - 827lm at 1050mA
- 3500K<sup>(1)</sup> - Lens WFL-46° - 602lm at 1050mA
- 3000K<sup>(1)</sup> - Lens SP-16° - 926lm at 1050mA
- 3000K<sup>(1)</sup> - Lens FL-32° - 795lm at 1050mA
- 3000K<sup>(1)</sup> - Lens WFL-46° - 579lm at 1050mA
- 2700K<sup>(1)</sup> - Lens SP-16° - 901lm at 1050mA
- 2700K<sup>(1)</sup> - Lens FL-32° - 773lm at 1050mA
- 2700K<sup>(1)</sup> - Lens WFL-46° - 563lm at 1050mA

**Power Supply**

Mains Dimming LED Power Supply included

**Specification features**

- Housing fabricated of powder coated steel, powder coated steel trim
- 1/2" EMT installation
- Suitable for dry and damp location
- Weight: 2.2lbs



**PROJECT INFO**

Date \_\_\_\_\_

Client \_\_\_\_\_

Project Name \_\_\_\_\_

Type/Quantity \_\_\_\_\_