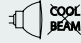





DIRO TRIMLESS OK

 1 x MR16 max.50W

(See rough-in section for allowed wattage)

6 202 14 90 
 ◇ = A / B / W

ADJUSTABLE 0° - 20°

GX5.3 / 12V

0.4 IP20 DAMP

REQUIREMENTS
 ROUGH-IN



Application
 Ceiling surface mounted
 For indoor use only

Color Finish
 A - Alu grey
 W - White
 B - Black

Light Source
 One GX5.3 / MR16 MAX. 50W required, not included

Specification features
 Surface treated aluminum housing
 Suitable for dry or damp locations
 Protected against solid objects greater than 12mm | 1/2" → IP20
 Weight: 0,7lbs 0,32kg

Dimensions
 Height: 132mm = 5"-3/16
 Diameter: Ø81mm = 3"-3/16

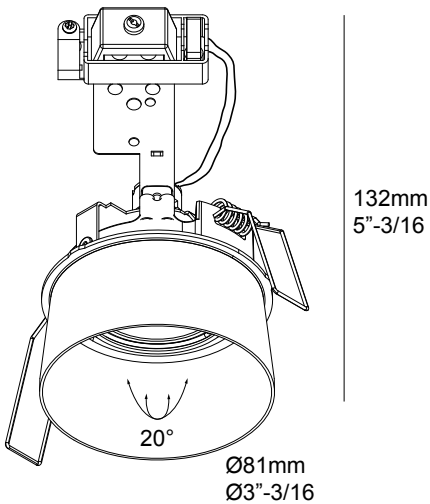
PROJECT INFO

Date _____

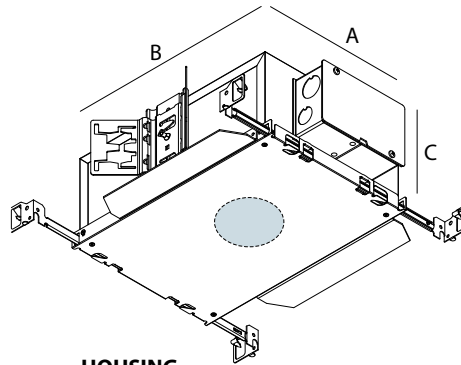
Client _____

Project Name _____

Type/Quantity _____



A:12"-1/4 x B:14"-1/8 x C:6"-3/4
 A:311mm x B:359mm x C:172mm



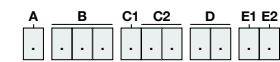
HOUSING



Indicative opening

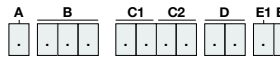
HOUSING FOR IC AND/OR AIRTIGHT APPLICATIONS

ROUGH-IN REQUIREMENTS



DIRO TRIMLESS OK	RANGE		INSTALLATION TYPE	POWER & DIMMING		VOLTAGE		MOUNTING OPTION
	A	B		C1	C2	D	E1	
	6	202	1	IC/NIC AT HOUSING M	01 50W HALOGEN 01 50W HALOGEN	11	1 120V 2 277V	1 BAR HANGERS STANDARD

HOUSING FOR POURED CONCRETE APPLICATIONS



DIRO TRIMLESS OK	RANGE		INSTALLATION TYPE	POWER & DIMMING		VOLTAGE		MOUNTING OPTION
	A	B		C1	C2	D	E1	
	6	202	11	POURED CONCRETE SA	03 50W HALOGEN MAINS DIM (FE) 03 50W HALOGEN MAINS DIM (FE)	11	1 120V 2 277V	0 NO BAR HANGERS

CONSULT FACTORY FOR OTHER DIMMING / 347V