



**BOXY**

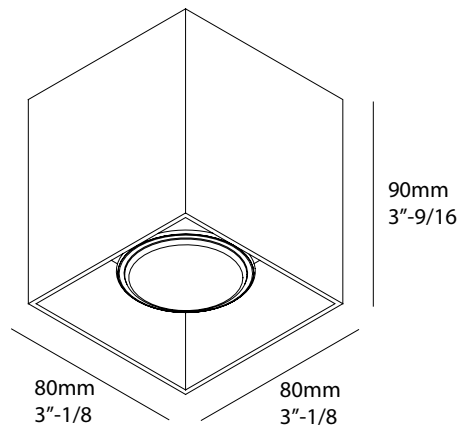
PAR16 max.50W

6 251 67 20 ◇  
 ◇ = ALU / B / W (max.35W)

GU10 / 120V / 60Hz

0.7 IP20 DAMP

OPTIONS  
 MUD KIT 2  
 COVERPLATE S 101



**Application**

Ceiling surface mounted  
 Installation to a standard octagonal box 4" with optional coverplate installation,  
 EMT/FMC fitting or Mud Kit installation  
 For indoor use only

**Color Finish**

B - Black  
 W - White  
 ALU - Aluminium

**Light Source**

One GU10, PAR 16 MAX. 50W required, not included

**Specification features**

Surface treated aluminum housing  
 Suitable for dry or damp locations  
 Protected against solid objects greater than 12mm | 1/2" → IP20  
 Weight: 3,7lbs 1,7kg

**Dimensions**

Height: 90mm = 3"-9/16  
 Diameter: 80mm x 80mm  
 3"-1/8 x 3"-1/8

**PROJECT INFO**

Date \_\_\_\_\_

Client \_\_\_\_\_

Project Name \_\_\_\_\_

Type/Quantity \_\_\_\_\_