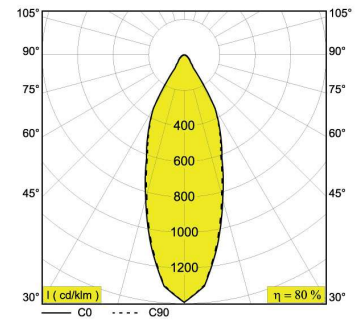


CRI > 90		BOXY L+ LED
3500 K	LED 7.1W / 798lm / 350mA	
1-10V	REFL FL 33°	6 251 67 811 952 ED1 ◇ ◇ = A-A / B-B / B-MMAT / G-G / W-W
FE	REFL FL 33°	6 251 67 811 952 ED8 ◇ ◇ = A-A / B-B / B-MMAT / G-G / W-W
3000 K	LED 7.1W / 774lm / 350mA	
1-10V	REFL FL 33°	6 251 67 811 932 ED1 ◇ ◇ = A-A / B-B / B-MMAT / G-G / W-W
FE	REFL FL 33°	6 251 67 811 932 ED8 ◇ ◇ = A-A / B-B / B-MMAT / G-G / W-W
2700 K	LED 7.1W / 743lm / 350mA	
1-10V	REFL FL 33°	6 251 67 811 922 ED1 ◇ ◇ = A-A / B-B / B-MMAT / G-G / W-W
FE	REFL FL 33°	6 251 67 811 922 ED8 ◇ ◇ = A-A / B-B / B-MMAT / G-G / W-W
120-277V / 60Hz (ED1) 120V / 60Hz (ED8)		
1.3 IP20 DAMP		
REQUIREMENTS MUD KIT 2 COVERPLATE S 114		
ACCESSORIES HONEYCOMB / LENS / GLASS		



⁽¹⁾Values based on 3000K standard finish

Application

Ceiling surface mounted
Installation to a standard 4" octagonal box with optional Mud kit installation
For indoor use

Color Finish

A-A - ALU grey-ALU grey
B-B - Black-Black
B-MMAT - Black-Gold Mat
G-G - Grey brown-Grey brown
W-W - White-White

Light Source

One 7,1W LED included

Delivered Lumens

593lm at 2700K⁽¹⁾
617lm at 3000K⁽¹⁾
637lm at 3500K⁽¹⁾

Power Supply

BOXY L+ LED DIM1
Electronic power supply included.
120-277V input, 350mA current controlled class 2 output. 1-10V dimmable electronic power supplies included (100-10% dimmable)

BOXY L+ LED DIM8

Electronic power supply included.
120V input, 350mA current controlled class 2 output. Mains dimmable electronic power supplies included (100-10% dimmable)

Specification features

Surface treated aluminum housing
Suitable for dry or damp locations
Protected against solid objects greater than 12mm | 1/2" → IP20
Weight: 1,3lbs 0,6kg

Dimensions

Height: 60mm = 2"-3/8
Length: 80mm = 3"-1/8
Width: 80mm = 3"-1/8

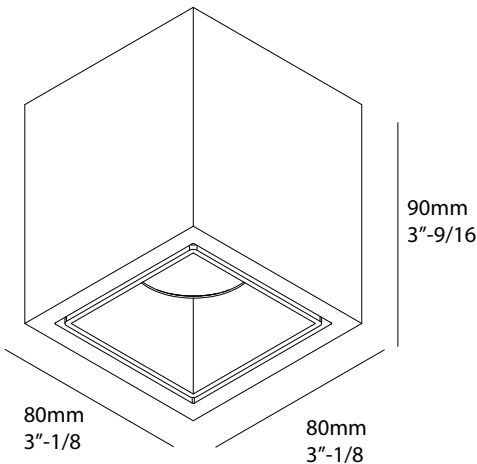
PROJECT INFO

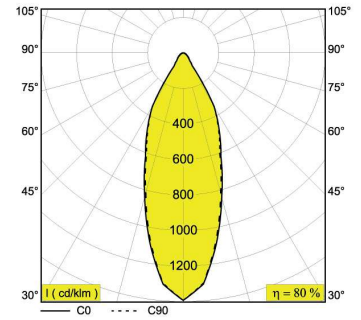
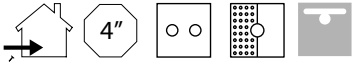
Date _____

Client _____

Project Name _____

Type/Quantity _____





⁽¹⁾Values based on 3000K standard finish

CRI > 90		BOXY 2L+ LED
3500 K		2 x LED 7.1W / 798lm / 350mA
1-10V	REFL FL 33°	6 251 67 812 952 ED1 ◇ ◇ = A-A / B-B / B-MMAT / W-W
FE	REFL FL 33°	6 251 67 812 952 ED8 ◇ ◇ = A-A / B-B / B-MMAT / W-W
3000 K		2 x LED 7.1W / 774lm / 350mA
1-10V	REFL FL 33°	6 251 67 812 932 ED1 ◇ ◇ = A-A / B-B / B-MMAT / W-W
FE	REFL FL 33°	6 251 67 812 932 ED8 ◇ ◇ = A-A / B-B / B-MMAT / W-W
2700 K		2 x LED 7.1W / 743lm / 350mA
1-10V	REFL FL 33°	6 251 67 812 922 ED1 ◇ ◇ = A-A / B-B / B-MMAT / W-W
FE	REFL FL 33°	6 251 67 812 922 ED8 ◇ ◇ = A-A / B-B / B-MMAT / W-W
120-277V / 60Hz (ED1) 120V / 60Hz (ED8)		
2.4 IP20 DAMP		
REQUIREMENTS MUD KIT 2 COVERPLATE S 112		
ACCESSORIES HONEYCOMB / LENS / GLASS		

Application

Ceiling surface mounted
Installation to a standard 4" octagonal box with optional Mud kit installation
For indoor use

Color Finish

A-A - ALU grey-ALU grey
B-B - Black-Black
B-MMAT - Black-Gold Mat
G-G - Grey brown-Grey brown
W-W - White-White

Light Source

TWO 7,1W LED included

Delivered Lumens

1185lm at 2700K⁽¹⁾
1235lm at 3000K⁽¹⁾
1273lm at 3500K⁽¹⁾

Power Supply

BOXY 2 L+ LED DIM1

Electronic power supply included.
120-277V input, 350mA current controlled class 2 output.1-10V dimmable electronic power supplies included (100-1% dimmable)

BOXY 2 L+ LED DIM8

Electronic power supply included.
120V input, 350mA current controlled class 2 output. Mains dimmable electronic power supplies included (100-10% dimmable)

Specification features

Surface treated aluminum housing
Suitable for dry or damp locations
Protected against solid objects greater than 12mm | 1/2" → IP20
Weight: 1,3lbs 0,6kg

Dimensions

Height: 60mm = 2"-3/8
Length: 148mm = 5"-13/16
Width: 80mm = 3"-1/8

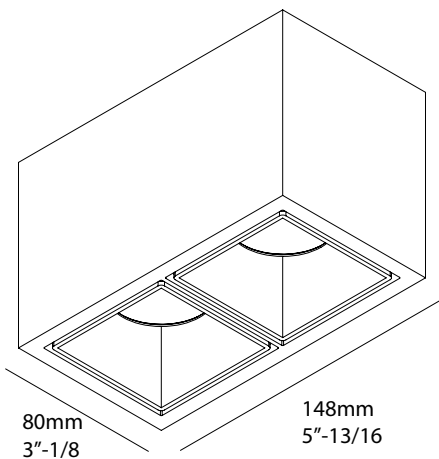
PROJECT INFO

Date _____

Client _____

Project Name _____

Type/Quantity _____



90mm
3"-9/16

80mm
3"-1/8

148mm
5"-13/16