

- DOT.COM L WALLWASH 02 ST 927 HO ◇
- 6 424 242 02 92 ◇
- ◇ = W / B
- DOT.COM L WALLWASH 02 ST 930 HO ◇
- 6 424 242 02 93 ◇
- ◇ = W / B
- DOT.COM L WALLWASH 02 ST 935 HO ◇
- 6 424 242 02 95 ◇
- ◇ = W / B



Application

NON-IC ceiling recessed luminaire for wall and ceiling applications.

Color Finish

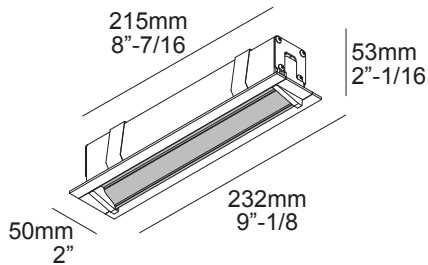
B - Black
W - White

Light source

1 x LED CLUSTER MAX. 10W

Product description

Surface treated aluminum construction
Remote, Class 2 power supply required
Max 350mA constant current / 28V-DC typical (Not included)
Suitable for dry or damp locations
Protected against solid objects greater than 12 mm ➔ IP20
Weight: 1,1lbs 0,6kg

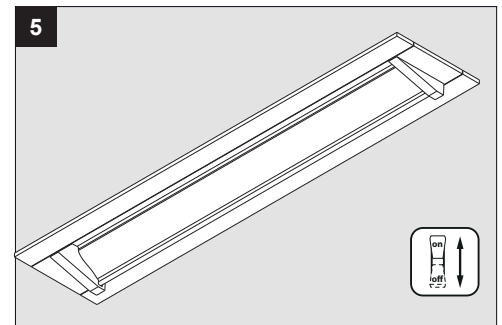
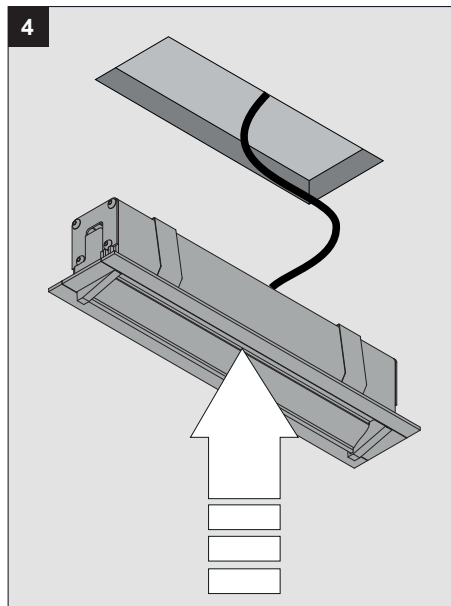
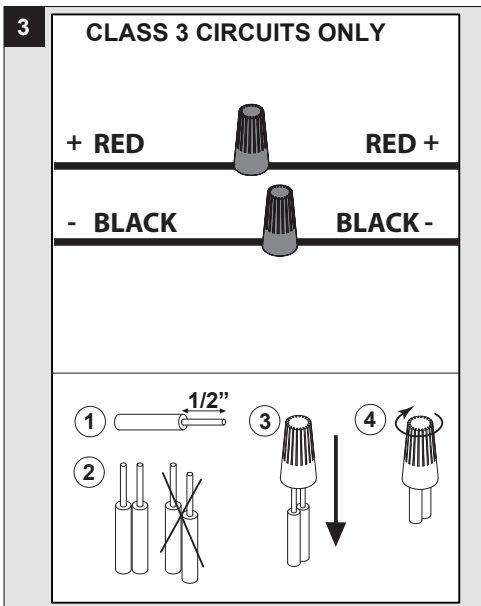
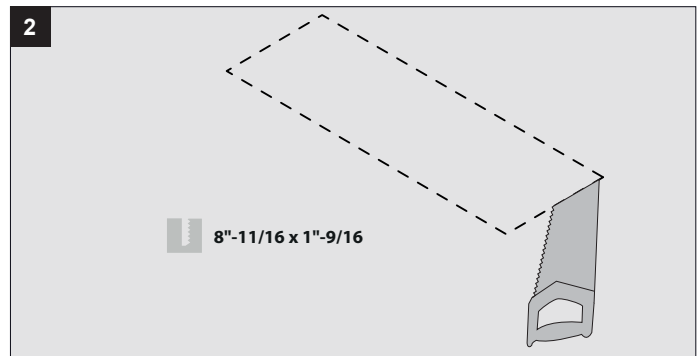
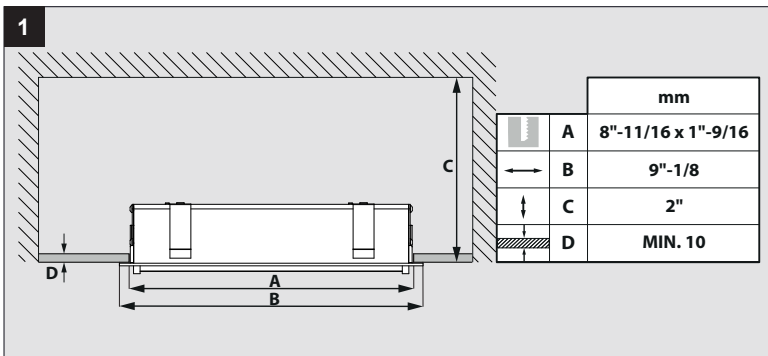
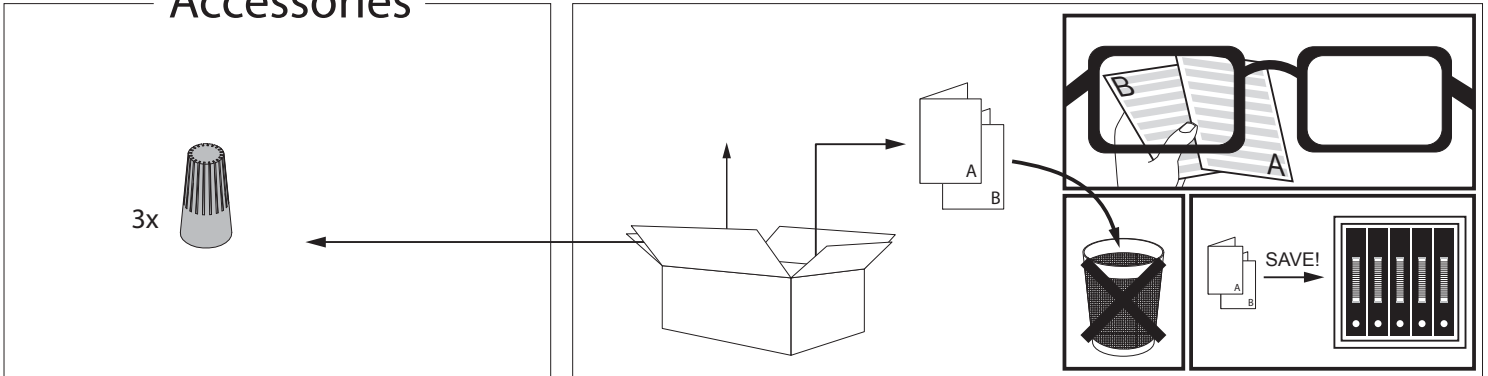


Power supply - For recessed installations

6 300 0441 ED1	350mA	10W	0-10V DIMMING / 120V / 60Hz
6 300 0441 ED5	350mA	10W	DALI DIMMING / 120V / 60Hz
6 300 0441 ED12	350mA	10W	LUTRON 1% 2-WIRE / 120V / 60Hz
6 300 0441 ED13	350mA	10W	LUTRON 1% ECOSYSTEM / 120V / 60Hz

INSTALLATION LUMINAIRE

Accessories



De verlichtingsbron van dit verlichtingstoestel zal enkel door de fabrikant of door de fabrikant aangestelde installateur vervangen worden.

La source lumière de cet appareil ne sera remplacée que par l'entreprise ou par un agent reconnu.

Das enthaltene Leuchtmittel sollte nur durch entsprechendes Fachpersonal ersetzt werden.

The light source contained in this luminaire shall only be replaced by the manufacturer or his service agent.

La fuente de iluminación que tiene esta luminaria sólo puede remplazarse por el fabricante o por un instalador autorizado.

La sorgente luminosa incorporata in questo apparecchio può essere sostituita solo dal produttore, da un suo centro assistenza oppure da una persona in possesso della necessaria abilitazione.

ATTENTION
OBSERVE PRECAUTIONS FOR HANDLING ELECTROSTATIC DISCHARGE SENSITIVE DEVICES

NO SECONDARY SWITCHING