

DOT.COM L4 ST 92716◇

6 424 213 04 921◇

◇ = B-B / B-C / B-MMAT / W-B / W-C / W-MMAT

DOT.COM L4 ST 92732◇

6 424 213 04 922◇

◇ = B-B / B-C / B-MMAT / W-B / W-C / W-MMAT

DOT.COM L4 ST 92746◇

6 424 213 04 923◇

◇ = B-B / B-C / B-MMAT / W-B / W-C / W-MMAT

DOT.COM L4 ST 93016◇

6 424 213 04 931◇

◇ = B-B / B-C / B-MMAT / W-B / W-C / W-MMAT

DOT.COM L4 ST 93032◇

6 424 213 04 932◇

◇ = B-B / B-C / B-MMAT / W-B / W-C / W-MMAT

DOT.COM L4 ST 93046◇

6 424 213 04 933◇

◇ = B-B / B-C / B-MMAT / W-B / W-C / W-MMAT

DOT.COM L4 ST 93516◇

6 424 213 04 951◇

◇ = B-B / B-C / B-MMAT / W-B / W-C / W-MMAT

DOT.COM L4 ST 93532◇

6 424 213 04 952◇

◇ = B-B / B-C / B-MMAT / W-B / W-C / W-MMAT

DOT.COM L4 ST 93546◇

6 424 213 04 953◇

◇ = B-B / B-C / B-MMAT / W-B / W-C / W-MMAT



Application

NON-IC ceiling recessed luminaire for wall and ceiling applications.

Color Finish

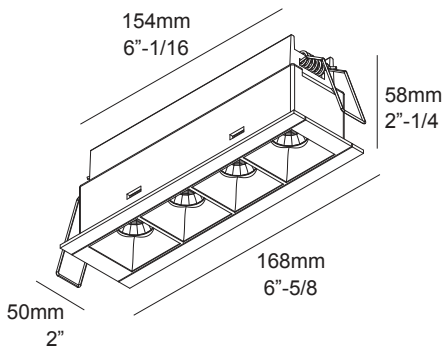
- B-B - Black-Black
- B-C - Black-Chromed
- B-MMAT - Black-Gold Matt
- W-B - White-Black
- W-C - White-Chromed
- W-MMAT - White-Gold Matt

Light source

1x LEDCLUSTER MAX. 12,4W

Product description

Surface treated aluminum construction
 Remote, Class 2 power supply required
 Max 1050mA constant current / 11,6V-DC typical (Not included)
 Suitable for dry or damp locations
 Protected against solid objects greater than 12 mm ➡ IP20
 Weight: 0,9lbs 0,35kg

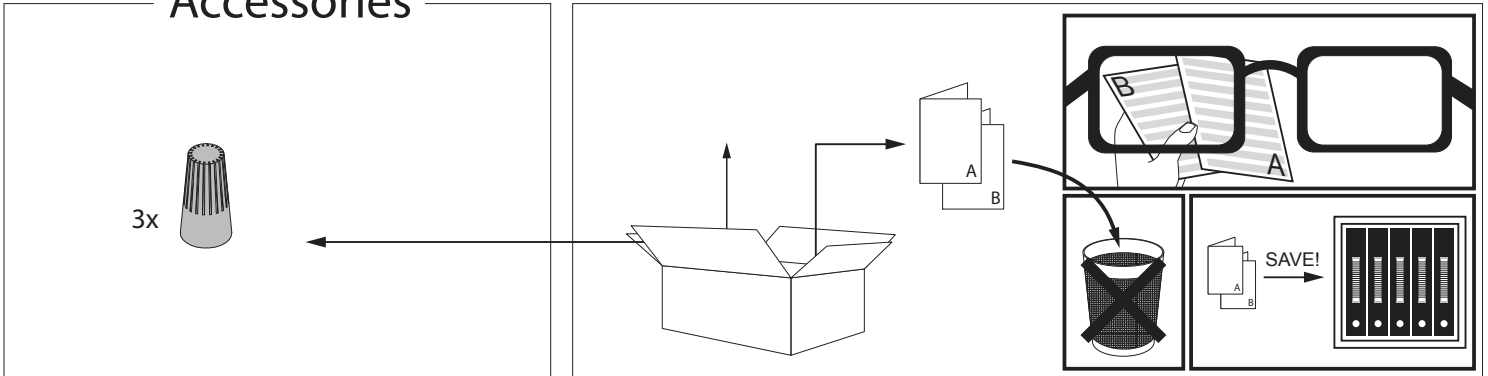


Power supply - For recessed installations

- | | |
|----------------|--|
| 6 300 11 ED1 | LED power supply 1050mA/DC / 50W DIM1 |
| 6 300 119 ED1 | LED power supply 1050mA/DC / 55W DIM1 |
| 6 300 12 ED13 | LED power supply 1050mA/DC / 20W DIM13 |
| 6 300 120 ED12 | LED power supply 1050mA/DC / 40W DIM12 |
| 6 300 127 ED13 | LED power supply 1050mA/DC / 20W DIM12 |
| 6 300 14 ED7 | LED power supply multi-power DIM7 |
| 6 300 15 | LED power supply multi-power |
| 6 300 18 | LED power supply 1050mA/DC / 12W |
| 6 300 21 ED8 | LED power supply 700mA/DC / 32W DIM8 |
| 6 300 45 ED1 | LED power supply 500mA/DC / 25W DIM1 |
| 6 300 51 ED13 | LED power supply 500mA/DC / 20W DIM13 |
| 6 300 53 ED1 | LED power supply 700mA/DC / 38W DIM1 |
| 6 300 62 ED8 | LED power supply 500mA/DC / 23W DIM8 |
| 6 300 72 ED12 | LED power supply 500mA/DC / 19W DIM12 |
| 6 300 74 ED12 | LED power supply 700mA/DC / 27W DIM12 |
| 6 300 81 ED13 | LED power supply 700mA/DC / 35W DIM13 |
| 6 300 88 ED13 | LED power supply 700mA/DC / 20W DIM13 |
| 6 300 90 ED8 | LED power supply 500mA/DC / 12W DIM8 |

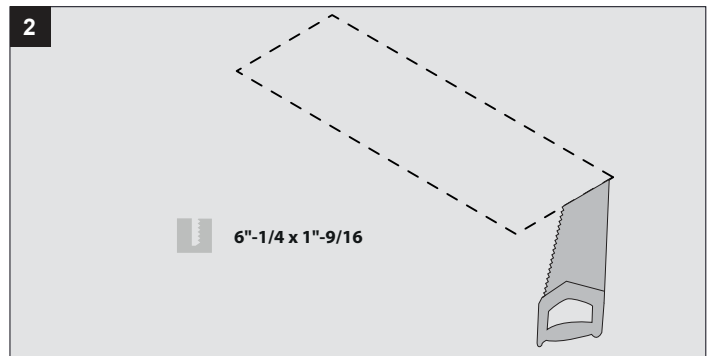
INSTALLATION LUMINAIRE

Accessories



1

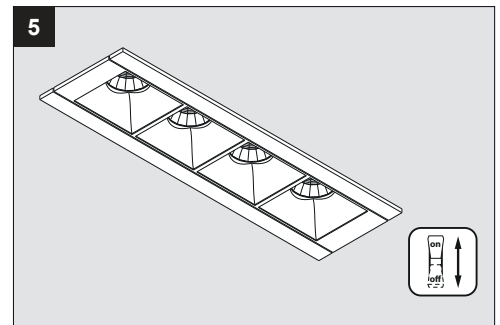
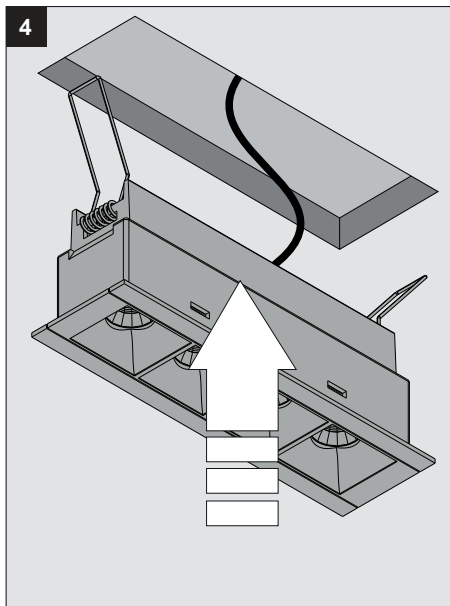
	mm
A	158mm x 40mm 6"-1/4 x 1"-9/16
B	25mm 1"
C	62mm 2"-7/16
D	MAX. 30mm MAX. 1"-3/16
E	≥50mm ≥1"-31/32



3 CLASS 3 CIRCUITS ONLY

+ RED RED +

- BLACK BLACK -



De verlichtingsbron van dit verlichtingstoestel zal enkel door de fabrikant of door de fabrikant aangestelde installateur vervangen worden.

La source lumière de cet appareil ne sera remplacée que par l'entreprise ou par un agent reconnu.

Das enthaltene Leuchtmittel sollte nur durch entsprechendes Fachpersonal ersetzt werden.

The light source contained in this luminaire shall only be replaced by the manufacturer or his service agent.

La fuente de iluminación que tiene esta luminaria sólo puede remplazarse por el fabricante o por un instalador autorizado.

La sorgente luminosa incorporata in questo apparecchio può essere sostituita solo dal produttore, da un suo centro assistenza oppure da una persona in possesso della necessaria abilitazione.

ATTENTION
OBSERVE PRECAUTIONS FOR
HANDLING ELECTROSTATIC
DISCHARGE SENSITIVE
DEVICES

NO SECONDARY SWITCHING

