

DOT.COM S3 ST 92734◇

6 424 211 03 922◇

◇ = B-B / W-B

DOT.COM S3 ST 92759◇

6 424 211 03 923◇

◇ = B-B / W-B

DOT.COM S3 ST 93034◇

6 424 211 03 932◇

◇ = B-B / W-B

DOT.COM S3 ST 90359◇

6 424 211 03 933◇

◇ = B-B / W-B

DOT.COM S3 ST 93534◇

6 424 211 03 952◇

◇ = B-B / W-B

DOT.COM S3 ST 93559◇

6 424 211 03 953◇

◇ = B-B / W-B



Application

NON-IC ceiling recessed luminaire for wall and ceiling applications.

Color Finish

B-B - Black-Black

W-B - White-Black

Light source

1x LEDCLUSTER MAX. 3W

Product description

Surface treated aluminum construction

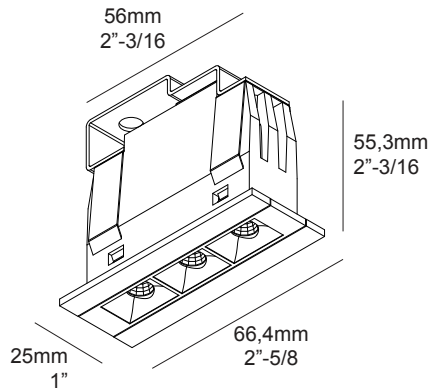
Remote, Class 2 power supply required

Max 350mA constant current / 7,8V-DC typical (Not included)

Suitable for dry or damp locations

Protected against solid objects greater than 12 mm ➔ IP20

Weight: 0,1lbs 0,1kg



Power supply - For recessed installations

6 300 14 ED7

LED power supply multi-power DIM7

6 300 15

LED power supply multi-power

6 300 41 ED13

LED power supply 350mA/DC / 19W DIM13

6 300 44 ED1

LED power supply 350mA/DC / 19W DIM1

6 300 46 ED8

LED power supply 350mA/DC / 11W DIM8

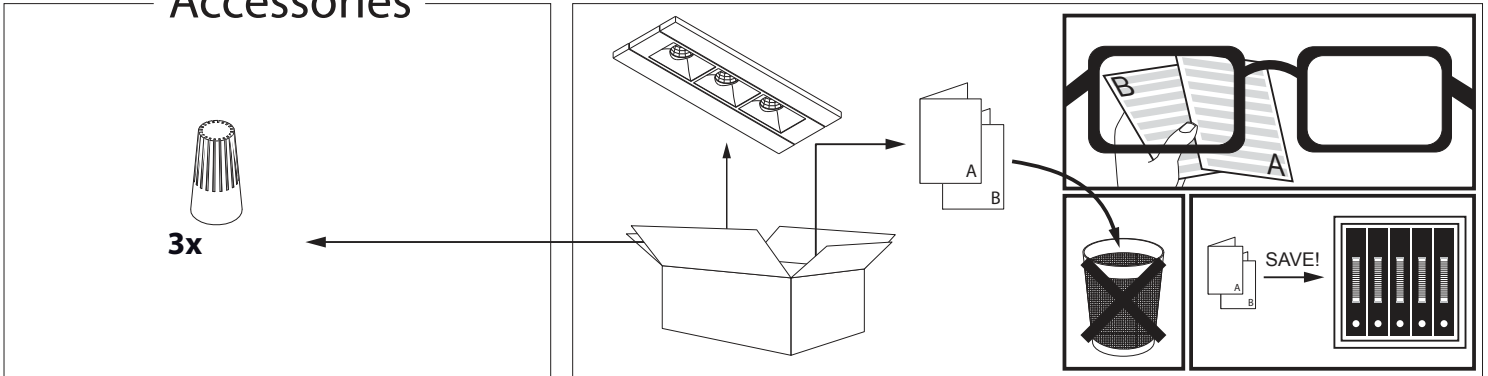
6 300 70 ED12

LED power supply 350mA/DC / 13W DIM12



INSTALLATION LUMINAIRE

Accessories



1

		mm
	A	58mm x 20mm 2"-1/4 x 13/16"
	B	25mm 1"
	C	70mm 2-3/4"
	D	MIN. 8 MIN. 5/16"

2

2"-1/4 x 13/16" x 2"-3/8

3

**CLASS 3 CIRCUITS ONLY
MAX 3x 14-18AWG 50L/STR**

+ RED RED +

- BLACK BLACK -

1 1/2"

2 3 4

4

5

De verlichtingsbron van dit verlichtingstoestel zal enkel door de fabrikant of door de fabrikant aangestelde installateur vervangen worden.

La source lumière de cet appareil ne sera remplacée que par l'entreprise ou par un agent reconnu.

Das enthaltene Leuchtmittel sollte nur durch entsprechendes Fachpersonal ersetzt werden.

The light source contained in this luminaire shall only be replaced by the manufacturer or his service agent.

La fuente de iluminación que tiene esta luminaria sólo puede remplazarse por el fabricante o por un instalador autorizado.

La sorgente luminosa incorporata in questo apparecchio può essere sostituita solo dal produttore, da un suo centro assistenza oppure da una persona in possesso della necessaria abilitazione.

1 >1

ATTENTION
OBSERVE PRECAUTIONS FOR
HANDLING ELECTROSTATIC
DISCHARGE SENSITIVE
DEVICES

NO SECONDARY SWITCHING