

**SHL19 - PROFILE 10'** ◇  
 6 398 03 00 ◇  
 ◇ = ANO



**Application**

Ceiling Surface mounting  
 For indoor use only

**Color finish**

ANO - Aluminium

**Specification features**

Surface treated aluminum  
 Input voltage: 24V-DC  
 Class 2, 2 x 22AWG or 4 x 22AWG cable 2' not included.  
 length profile : MAX. 3m = 9'-10"-1/8  
 Suitable for dry or damp locations  
 Protected against solid objects greater than 12 mm ➔ IP20  
 Weight: 1,2lbs | 0,6kg

**Dimensions**

Height: 10 mm = 3/8"  
 width: 19 mm = 3/4"

**Optional**

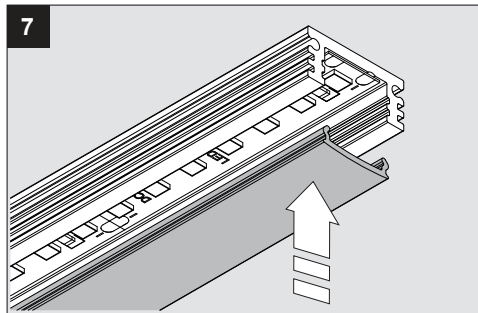
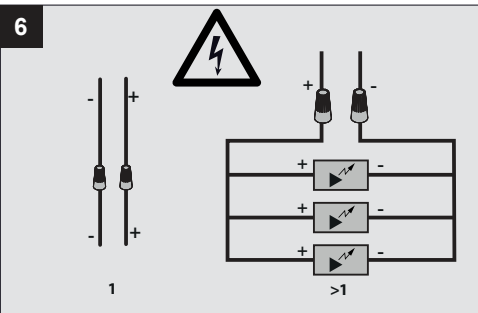
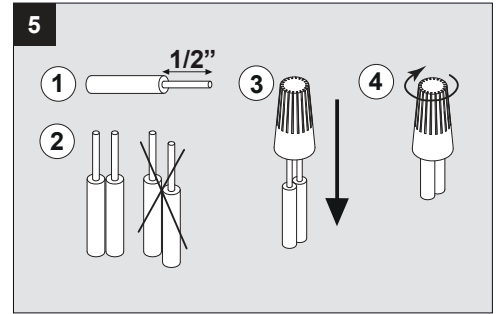
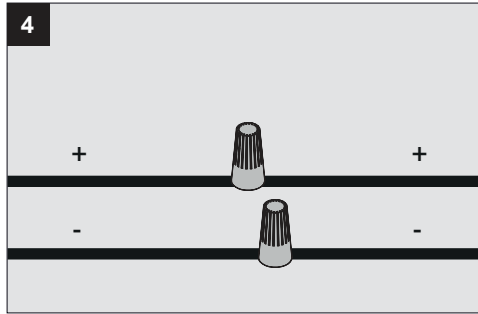
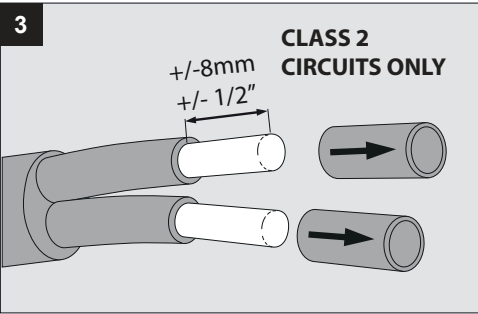
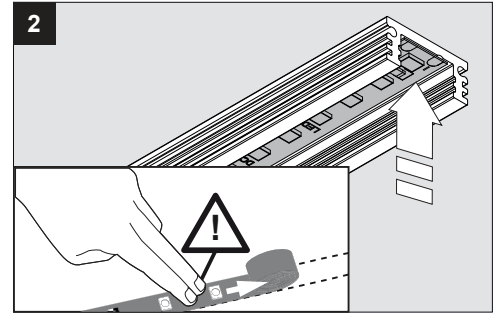
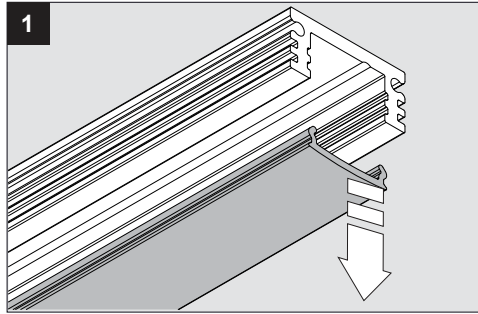
SHL19 - PC CLEAR 10'	398 03 05 CL
SHL19 - PC SBL 10'	398 03 05 SBL
SHL19 - END CAP SET	398 03 03 01
SHL19 - MOUNTING CLIP SET	398 03 06 11
SHL19 - MOUNTING CLIP 45° SET	398 03 06 45

 **INSTALLATION LUMINAIRE**

**SHL19 - ELECTRICAL CONNECTION**

**IN COMBINATION WITH LEDFLEX**

- 300 92 52 92
- 300 92 52 93
- 300 92 52 94
- 300 92 53 92
- 300 92 53 93
- 300 92 53 94
- 300 92 54 92
- 300 92 54 93
- 300 92 54 94



**SHL19 - END CAP SET**


398 03 03 01

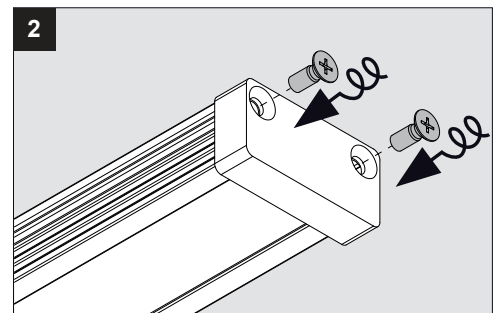
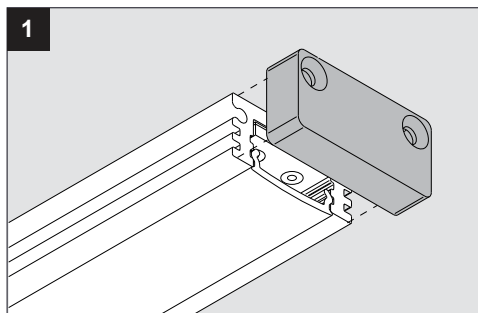
21mm  
13/16"

5mm  
3/16"

10,5mm  
7/16"

**ACCESSORIES**

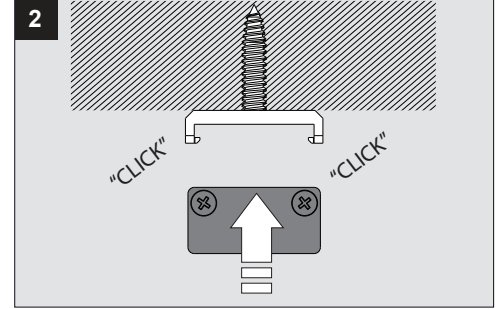
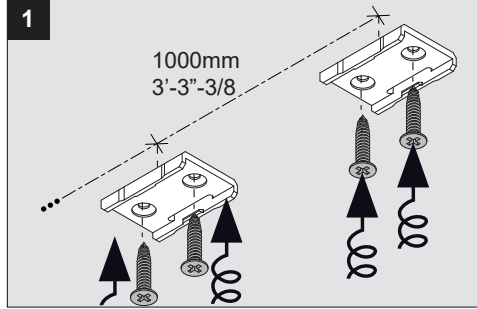
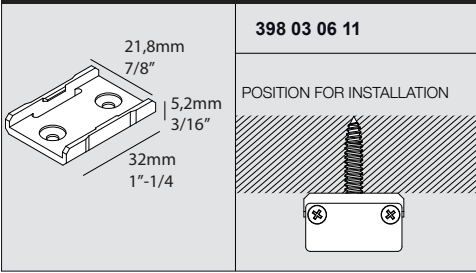
 2x





# INSTALLATION LUMINAIRE

## SHL 19 - MOUNTING CLIP SET



## SHL 19 - MOUNTING CLIP 45° SET

