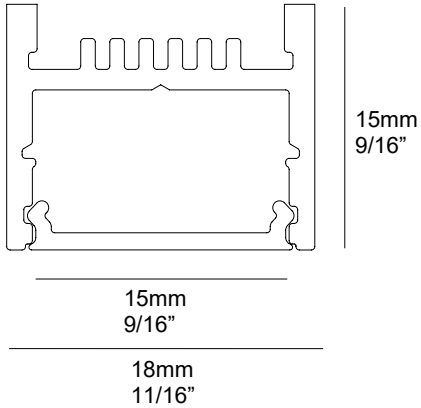


**SHL 18 - PROFILE 10'** ◇  
 6 398 02 00 ◇  
 ◇ = ANO



**Application**

Ceiling Surface mounting  
 For indoor use only

**Color finish**

ANO - Aluminium

**Specification features**

Surface treated aluminum  
 Input voltage: 24V-DC  
 Class 2, 2 x 22AWG or 4 x 22AWG cable 2' not included.  
 length profile : MAX. 3m = 9'-10"-1/8  
 Suitable for dry or damp locations  
 Protected against solid objects greater than 12 mm ➔ IP20  
 Weight: 1,3lbs | 0,7kg

**Dimensions**

Height: 15 mm = 9/16"  
 width: 18 mm = 11/16"

**Optional**

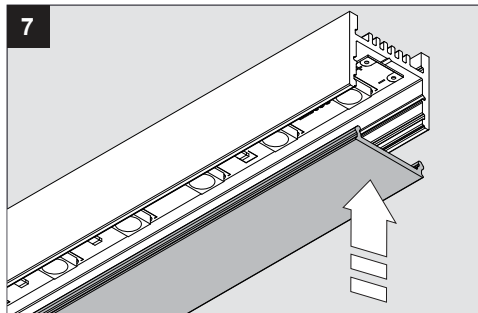
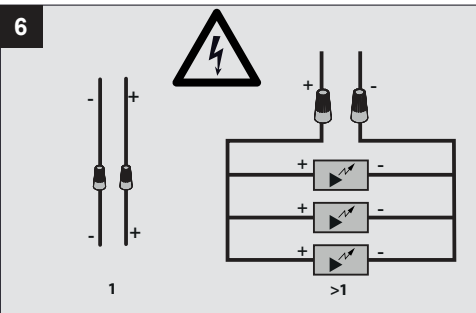
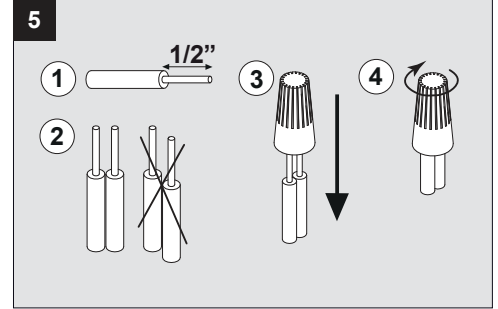
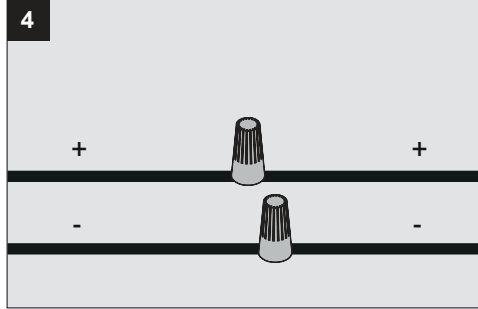
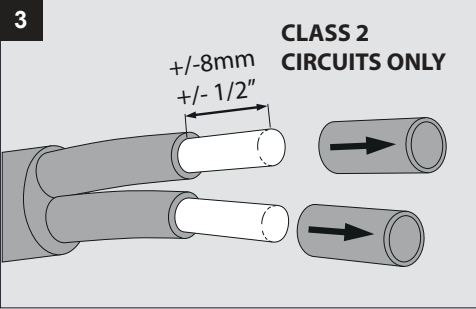
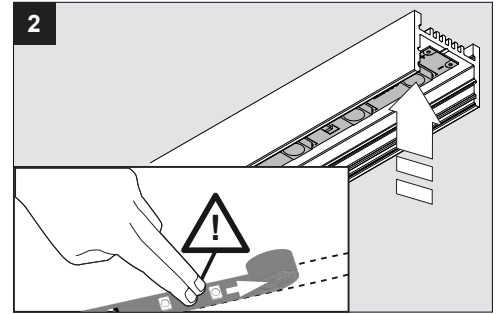
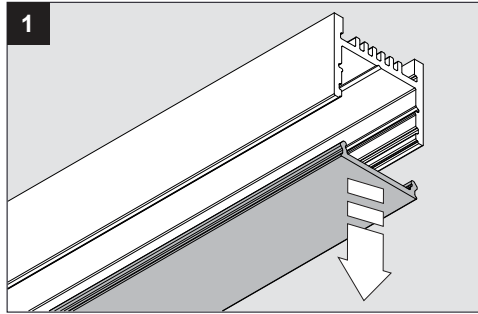
SHL18 - END CAP SET	398 02 03 01
SHL18 - MOUNTING CLIP SET	398 02 06 11
SHL18 - MOUNTING CLIP 45° SET	398 02 06 45



# INSTALLATION LUMINAIRE

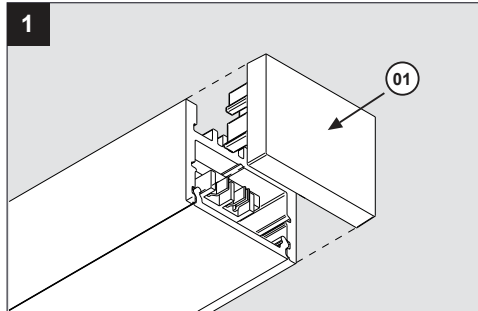
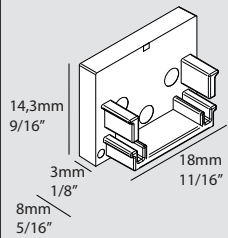
## SHL18 - ELECTRICAL CONNECTION

IN COMBINATION  
WITH LEDFLEX  
300 92 52 92  
300 92 52 93  
300 92 52 94  
300 92 53 92  
300 92 53 93  
300 92 53 94  
300 92 54 92  
300 92 54 93  
300 92 54 94



## SHL18 - END CAP SET

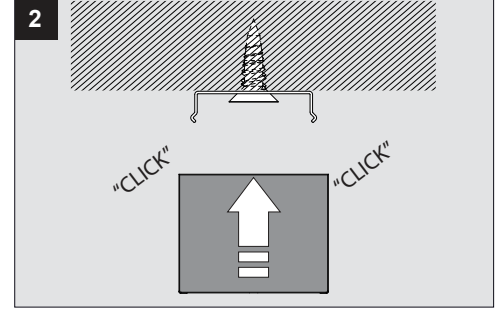
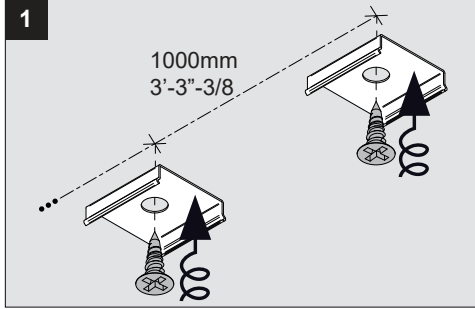
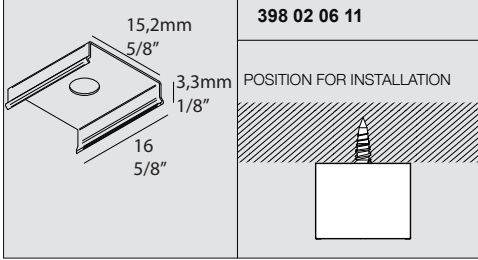
398 02 03 01





# INSTALLATION LUMINAIRE

## SHL 18 - MOUNTING CLIP SET



## SHL 18 - MOUNTING CLIP 45° SET

