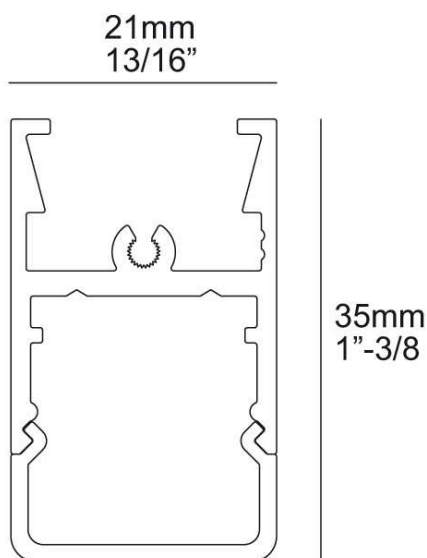


FTL35 - PROFILE ◇

6 391 00 00 ◇

◇ = ANO



Application

Ceiling surface mounted
For indoor use only

Color finish

ANO - Alu anodized

Specification features

Surface treated aluminum
Class 2, 2 x 22AWG cable 2' included.
Suitable for dry or damp locations

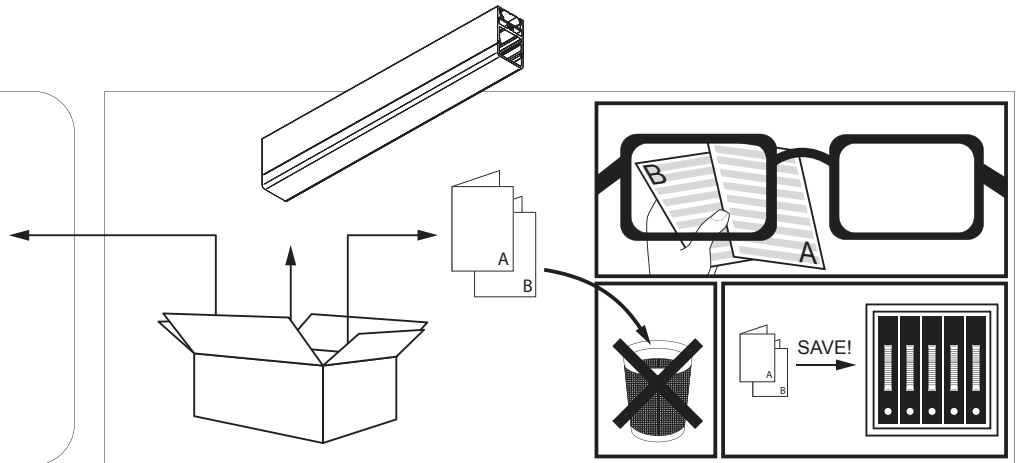
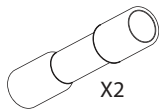
Dimensions

Height: 35 mm = 1" - 3/8
width: 21 mm = 13/16"



INSTALLATION LUMINAIRE

Accessory set



CORNERS

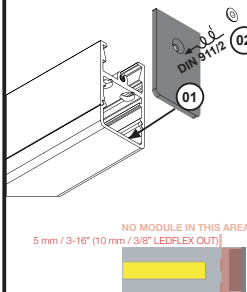


FTL35 - CORNER 90°
391 06 06

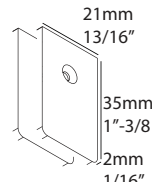


FTL35 - FIXATION SET CORNER 180°
391 06 11

END CAP



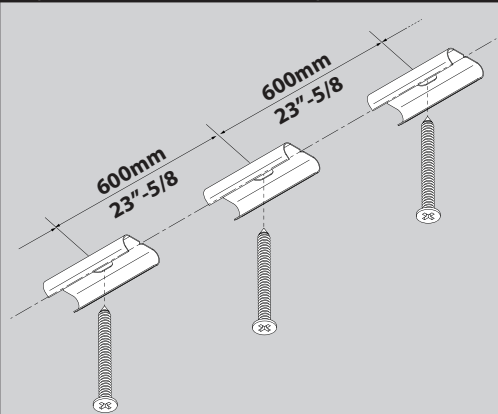
FTL35 - END CAP SET
391 03 01



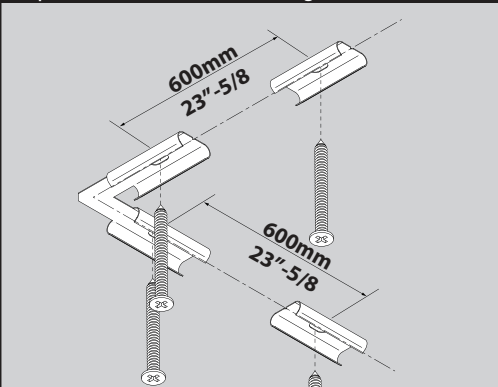
ACCESSORY SET
2x

INSTALLATION

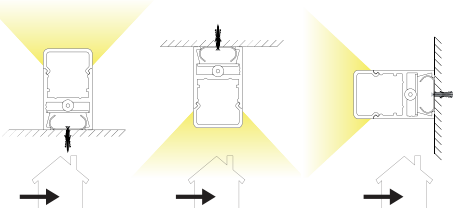
1A | FTL35 - 180° Surface mounting



1B | FTL35 - 90° Surface mounting



UP DOWN SIDE



ELECTRICAL CONNECTION

