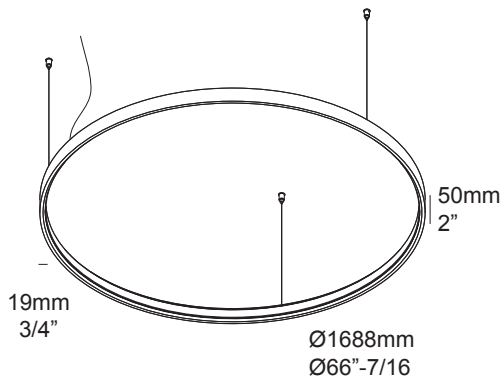


**SUPERLOOP HC 170 SPR 930** ◇

6 321 217 93 ◇

◇ = B / W / FBR / FG

**Application**

Ceiling surface mounted pendant luminaire  
 Installation to a standard j-box with optional coverplate  
 For indoor use only

**Color Finish**

B - BLACK  
 W - WHITE  
 FBR - FLEMISH BRONZE  
 FG - FLEMISH GOLD

**Light source**

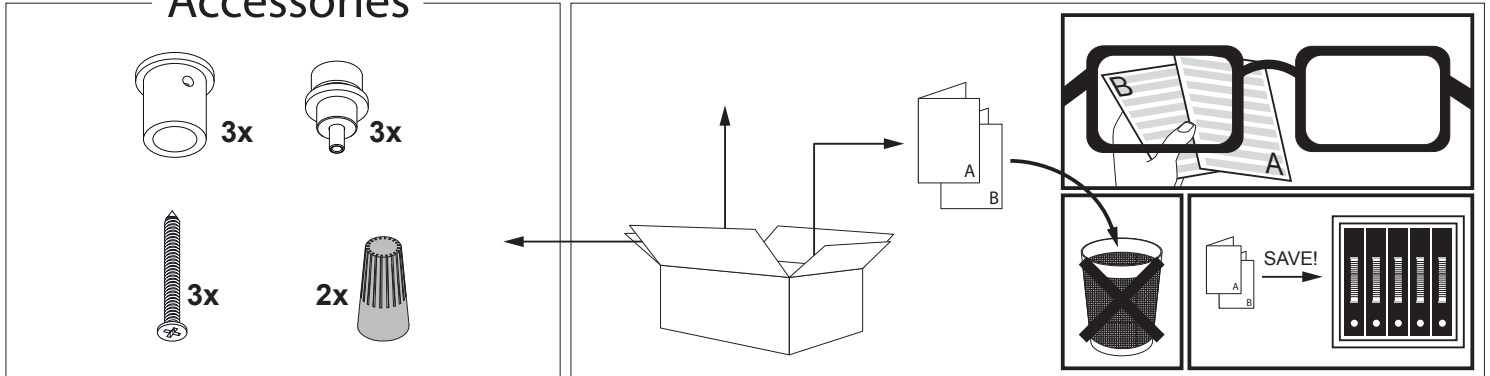
LED FLEX 51,6W @ 1200mA / 73,5 @ 1700mA

**Product description**

Powder coated aluminum assembly  
 EXCL. 1200mA-DC or 1700mA-DC Power supply 43V typical voltage for each circuit.  
 Class 2 circuits only, current controlled.  
 1x Cable 2x18 AWG  
 3x Suspension cable 9' long included  
 Suitable for damp locations  
 Protected against solid objects greater than 12mm ➔ IP20  
 Weight: 8,36lbs 3,8kg

# INSTALLATION LUMINAIRE

## Accessories



**1**

**CABLE ENTRY**

**OPTIONS**

Coverplate R 104	6 204 00 104
Coverplate S 103	6 204 99 103
Superloop powerbox H 900mA DIM1	6 321 55 309 ED1
Superloop powerbox H 1200mA DIM1	6 321 55 312 ED1

**2**

**3**

De verlichtingsbron van dit verlichtingstoestel zal enkel door de fabrikant of door de fabrikant aangestelde installateur vervangen worden.

La source lumière de cet appareil ne sera remplacée que par l'entreprise ou par un agent reconnu.

Das enthaltene Leuchtmittel sollte nur durch entsprechendes Fachpersonal ersetzt werden.

The light source contained in this luminaire shall only be replaced by the manufacturer or his service agent.

La fuente de iluminación que tiene esta luminaria sólo puede remplazarse por el fabricante o por un instalador autorizado.

La sorgente luminosa incorporata in questo apparecchio può essere sostituita solo dal produttore, da un suo centro assistenza oppure da una persona in possesso della necessaria abilitazione.

**4**

**5**

	DIM 5	OR	DIM 1
I <sub>a</sub>	900mA		1200mA
P <sub>o</sub>	37,2W		51,9W
U, Typical	41,3 V-DC		43,3 V-DC

 INSTALLATION LUMINAIRE

