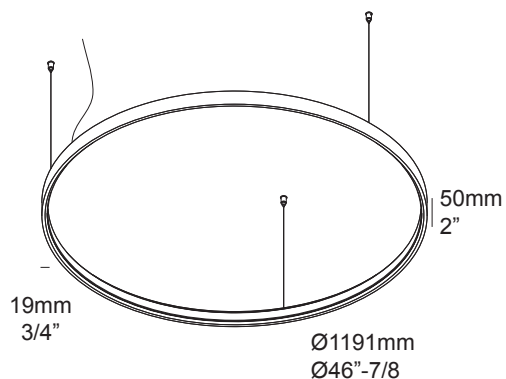


SUPERLOOP HC 120 SBL 930 ◇

6 321 112 93 ◇

◇ = B / W / FBR / FG

**Application**

Ceiling surface mounted pendant luminaire
Installation to a standard j-box with optional coverplate
For indoor use only

Color Finish

B - BLACK
W - WHITE
FBR - FLEMISH BRONZE
FG - FLEMISH GOLD

Light source

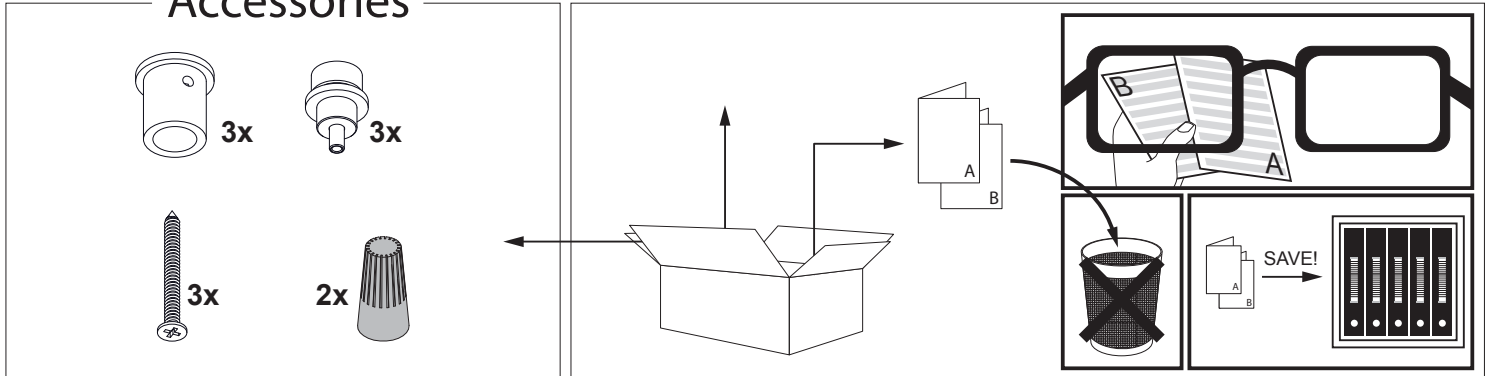
LED FLEX 37,2W @ 900mA / 51,9 @ 1200mA

Product description

Powder coated aluminum assembly
EXCL. 700mA-DC or 900mA-DC Power supply 43V typical voltage for each circuit.
Class 2 circuits only, current controlled.
1x Cable 2x18 AWG
3x Suspension cable 9' long included
Suitable for damp locations
Protected against solid objects greater than 12mm ➔ IP20
Weight: 8,36lbs 3,8kg

INSTALLATION LUMINAIRE

Accessories



1 CABLE ENTRY

1023mm 40"-1/4

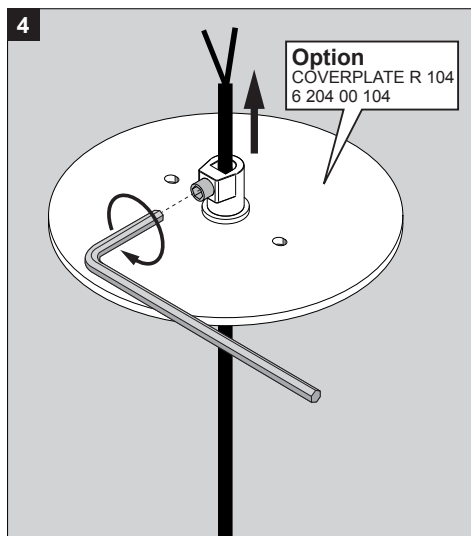
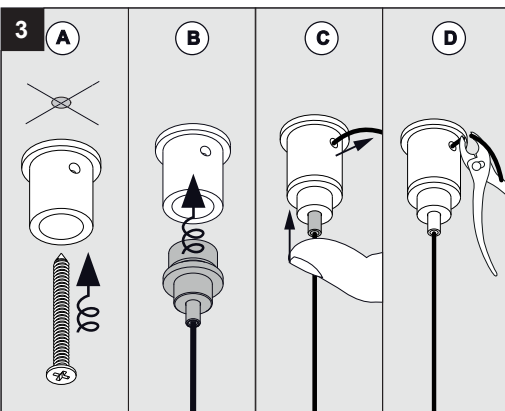
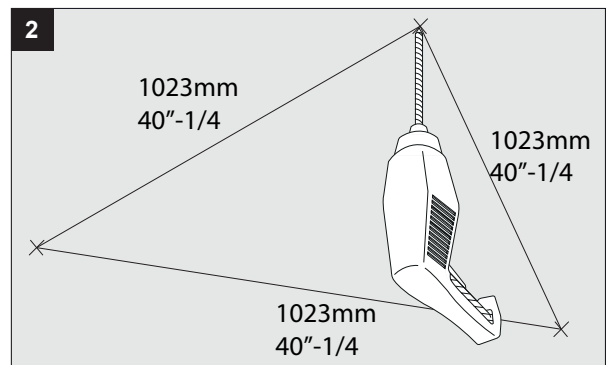
1023mm 40"-1/4

1023mm 40"-1/4

Ø1175,5 46"-1/4

OPTIONS

Coverplate R 104	6 204 00 104
Coverplate S 103	6 204 99 103
Superloop powerbox H 900mA DIM1	6 321 55 309 ED1
Superloop powerbox H 1200mA DIM1	6 321 55 312 ED1



5

	DIM 5	OR	DIM 1
I_L	900mA		1200mA
P_o	37,2W		51,9W
U, Typical	41,3 V-DC		43,3 V-DC

48V DC CLASS 2

+

-

De verlichtingsbron van dit verlichtingstoestel zal enkel door de fabrikant of door de fabrikant aangestelde installateur vervangen worden.

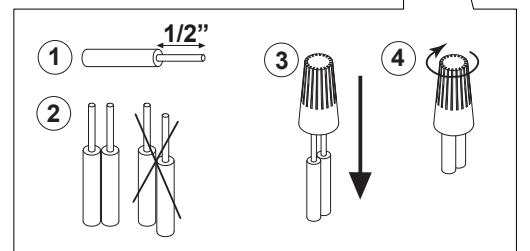
La source lumière de cet appareil ne sera remplacée que par l'entreprise ou par un agent reconnu.

Das enthaltene Leuchtmittel sollte nur durch entsprechendes Fachpersonal ersetzt werden.

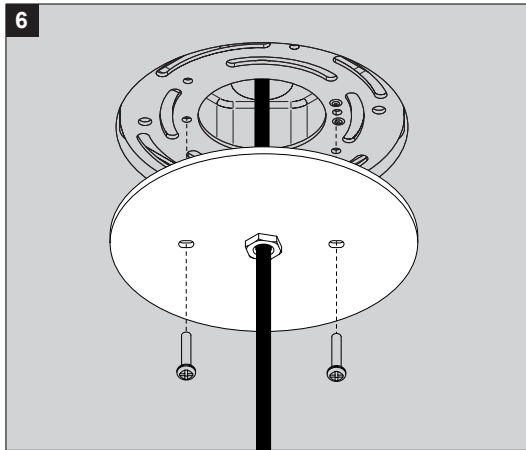
The light source contained in this luminaire shall only be replaced by the manufacturer or his service agent.

La fuente de iluminación que tiene esta luminaria sólo puede remplazarse por el fabricante o por un instalador autorizado.

La sorgente luminosa incorporata in questo apparecchio può essere sostituita solo dal produttore, da un suo centro assistenza oppure da una persona in possesso della necessaria abilitazione.



 **INSTALLATION LUMINAIRE**



WARNING!
The weight of the luminaire must be suspended by the steel cables, not by the power cord.

ATTENTION!
Le poids du luminaire doit être suspendu par les câbles en acier, le câble électrique ne peut pas suspendre le luminaire.

