

SUPERLOOP HC 90 SBL 930◇

6 321 109 93 ◇

◇ = B / W / FBR / FG

**Application**

Ceiling surface mounted pendant luminaire
 Installation to a standard j-box with optional coverplate
 For indoor use only

Color Finish

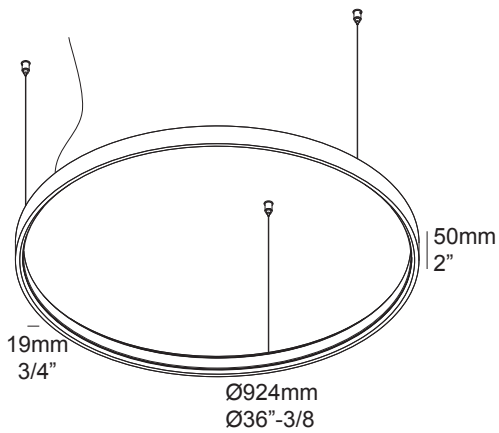
B - BLACK
 W - WHITE
 FBR - FLEMISH BRONZE
 FG - FLEMISH GOLD

Light source

LED FLEX 28,9W @ 700mA / 38,7 @ 900mA

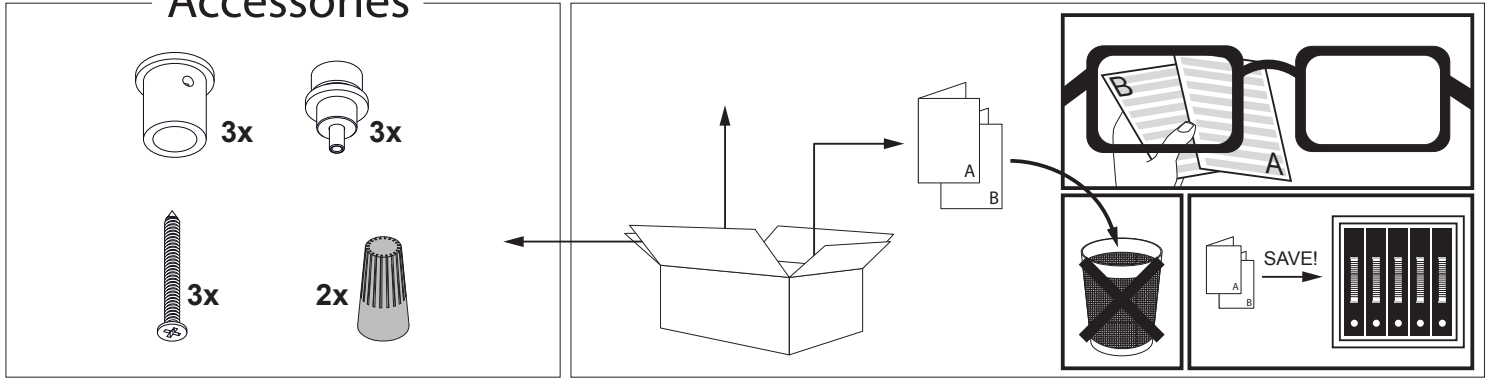
Product description

Powder coated aluminum assembly
 EXCL. 700mA-DC or 900mA-DC Power supply 43V typical voltage for each circuit.
 Class 2 circuits only, current controlled.
 1x Cable 2x18 AWG
 3x Suspension cable 9' long included
 Suitable for damp locations
 Protected against solid objects greater than 12mm ➔ IP20
 Weight: 8,36lbs 3,8kg



INSTALLATION LUMINAIRE

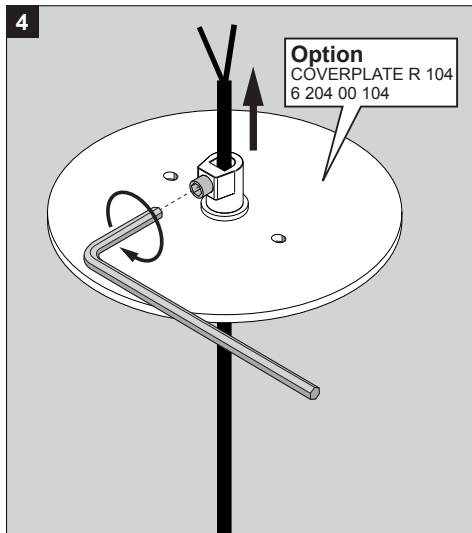
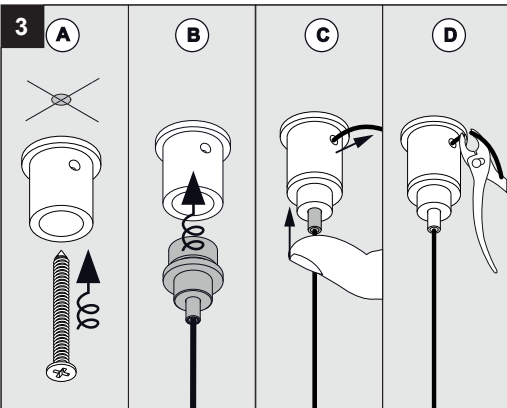
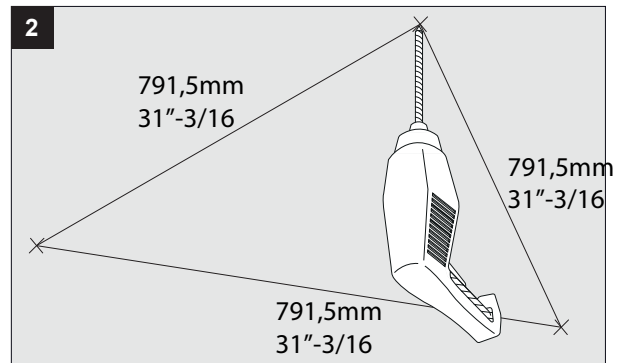
Accessories



1 CABLE ENTRY

OPTIONS

Coverplate R 104	6 204 00 104
Coverplate S 103	6 204 99 103
Superloop powerbox L 700mA DIM1	6 321 55 207 ED1
Superloop powerbox L 700mA DIM8	6 321 55 207 ED8
Superloop powerbox H 900mA DIM1	6 321 55 309 ED1



5

I_L	700mA	OR	900mA
P_o	28,9W		38,7W
$U, \text{Typical}$	41,3 V-DC		43 V-DC

De verlichtingsbron van dit verlichtingstoestel zal enkel door de fabrikant of door de fabrikant aangestelde installateur vervangen worden.

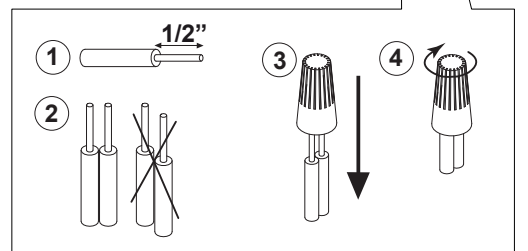
La source lumière de cet appareil ne sera remplacée que par l'entreprise ou par un agent reconnu.

Das enthaltene Leuchtmittel sollte nur durch entsprechendes Fachpersonal ersetzt werden.

The light source contained in this luminaire shall only be replaced by the manufacturer or his service agent.

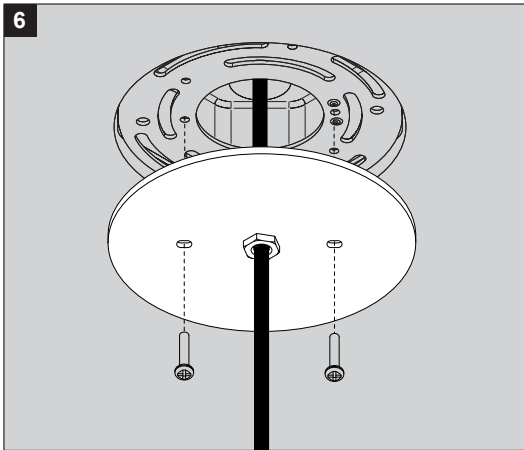
La fuente de iluminación que tiene esta luminaria sólo puede remplazarse por el fabricante o por un instalador autorizado.

La sorgente luminosa incorporata in questo apparecchio può essere sostituita solo dal produttore, da un suo centro assistenza oppure da una persona in possesso della necessaria abilitazione.





INSTALLATION LUMINAIRE



WARNING!
The weight of the luminaire must be suspended by the steel cables, not by the power cord.

ATTENTION!
Le poids du luminaire doit être suspendu par les cables en acier, le cable électrique ne peut pas suspendre le luminaire.

