

**SUPER-OH! 170 83020**

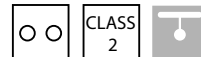
6 308 172 08 832◇

◇ = B

**SUPER-OH! 170 82720**

6 308 172 08 822◇

◇ = B



**Application**

Ceiling surface mounted pendant luminaire  
Installation to a standard j-box with optional coverplate  
For indoor use only

**Color Finish**

B - BLACK

**Light source**

8 x POWERLED WHITE 6W

**Product description**

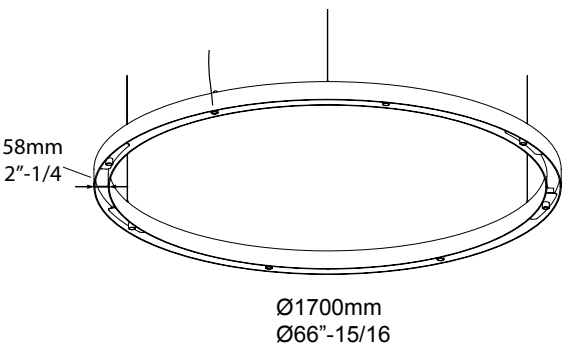
Powder coated aluminum assembly  
EXCL. 500mA-DC Power supply  
Class 2 circuits only, current controlled.  
2 circuits  
1x Cable 4x18 AWG 9' long  
3x Suspension cable 9' long  
8x Lens FL-20°  
Suitable for damp locations  
Protected against solid objects greater than 12mm ➔ IP20  
Weight: 31,7lbs 14,4kg

**Dimensions**

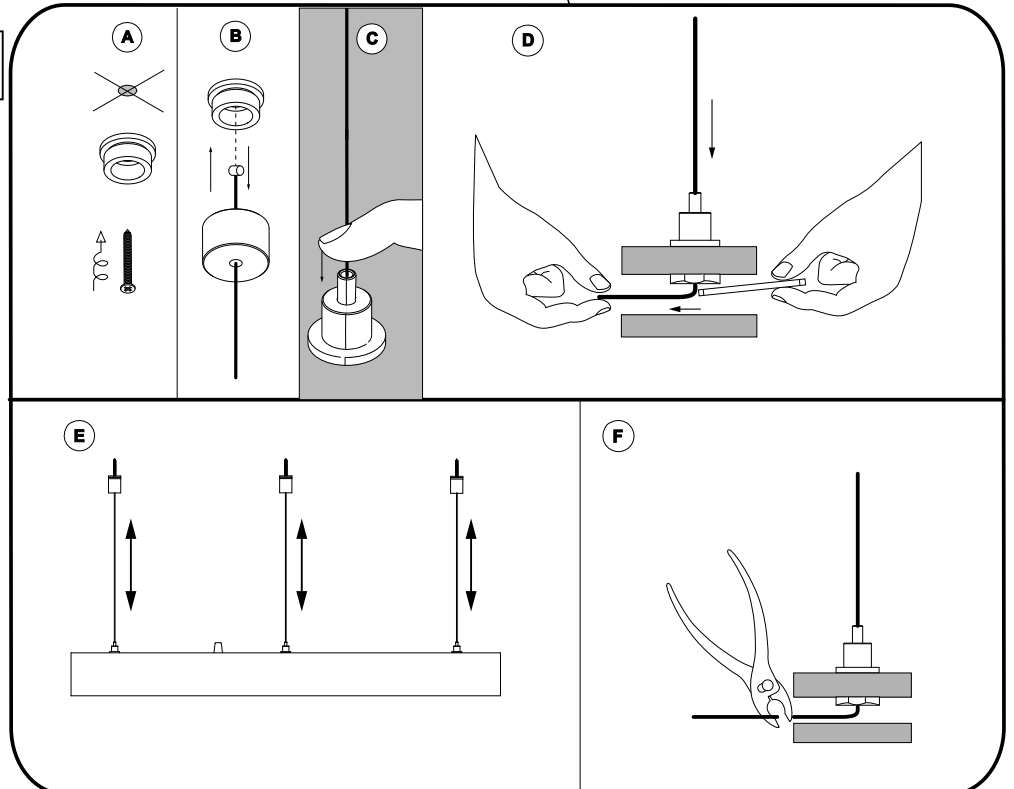
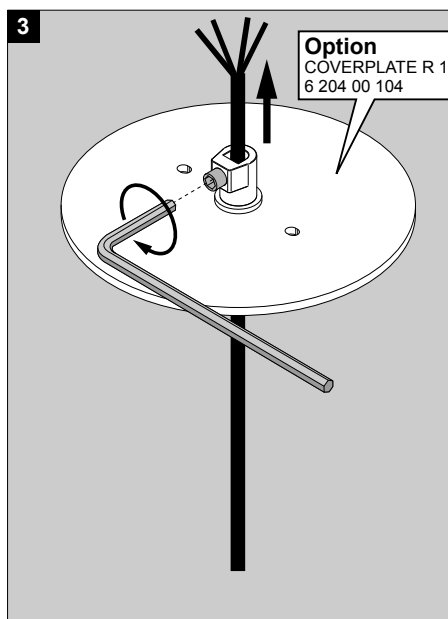
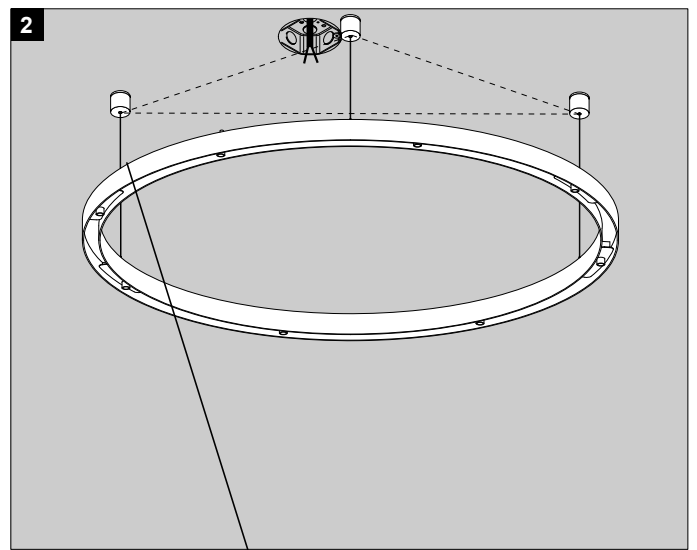
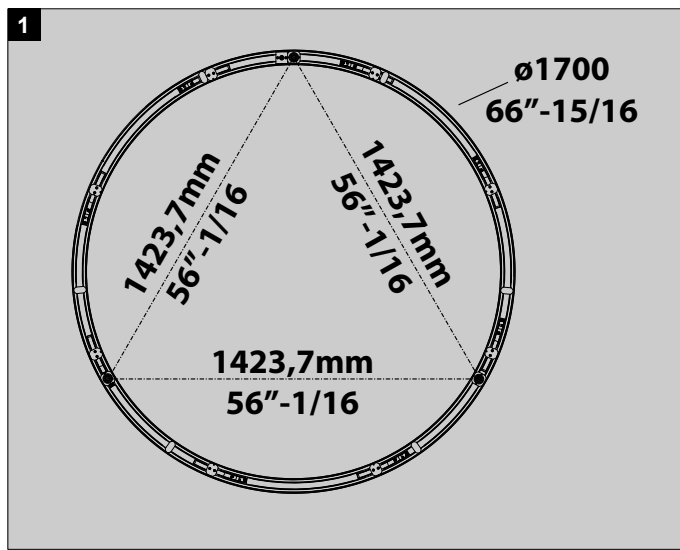
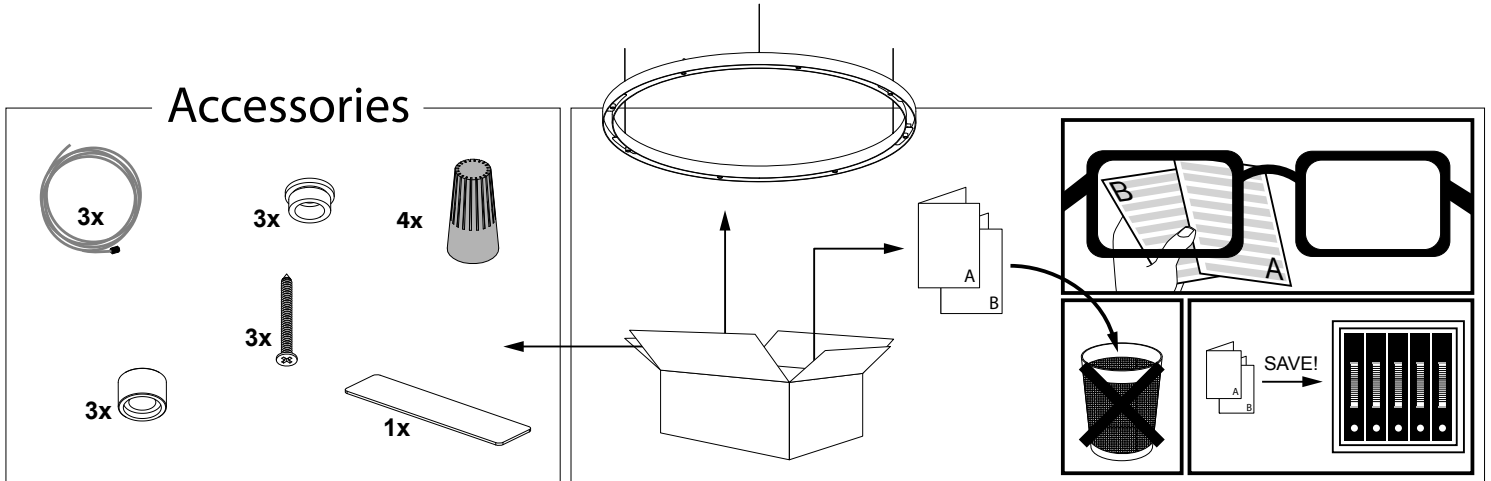
Height: 70mm / 2"-3/4  
Diameter: 1700mm / 66" - 15/16

**Options (not supplied)**

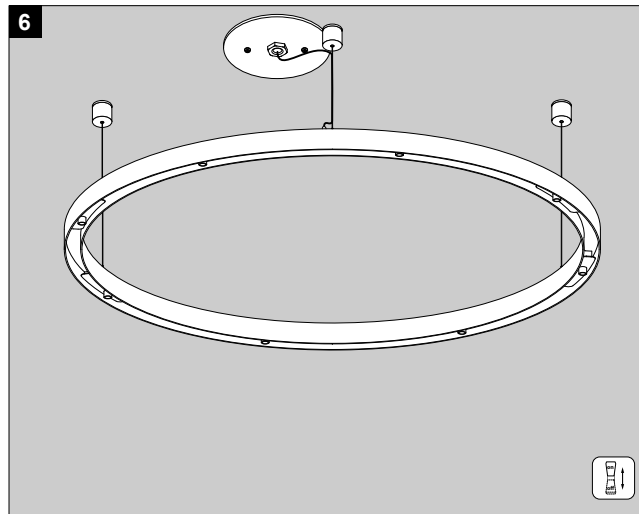
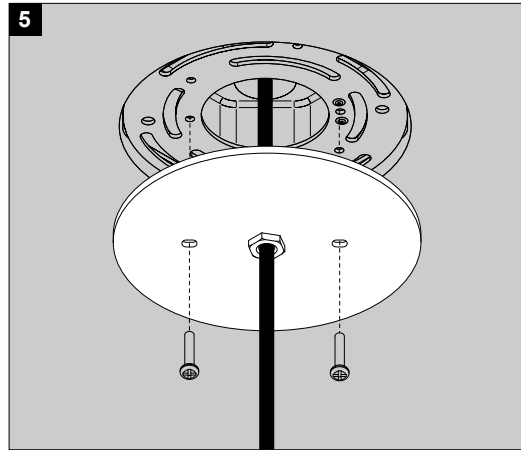
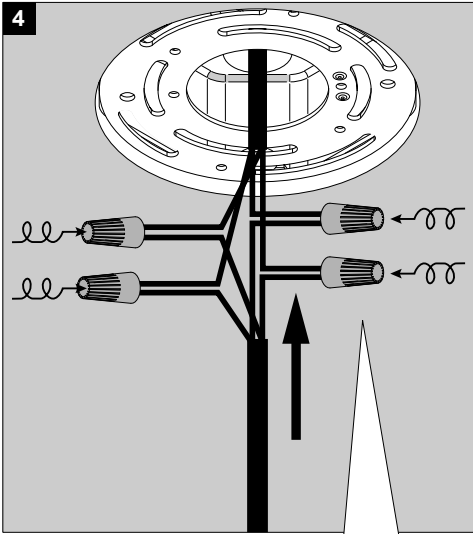
6 204 00 104 Coverplate R 104  
6 204 99 103 Coverplate S 103



 **INSTALLATION LUMINAIRE**



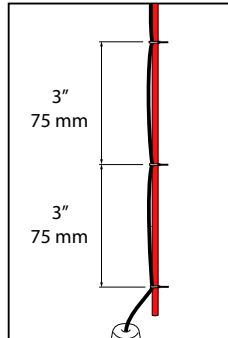
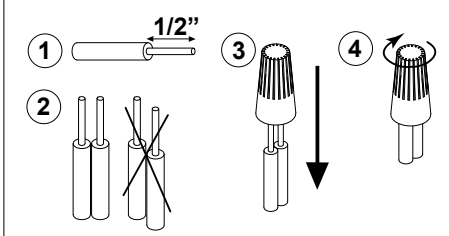
 **INSTALLATION LUMINAIRE**



**MAX 4 x 18AWG 50L/STR**

**RENUMBERING AFTER SHORTENING THE CABLE**

1 = Circuit1 +  
2 = Circuit1 -  
3 = Circuit2 +  
4 = Circuit2 -



**WARNING!**  
The weight of the luminaire must be suspended by the steel cables, not by the power cord.

**ATTENTION!**  
Le poids du luminaire doit être suspendu par les cables en acier, le cable électrique ne peut pas suspendre le luminaire.