

INLET S NW

6 304 05 14◇

◇ = A / W

INLET S WW

6 304 05 12◇

◇ = A / W

INLET S HW

6 304 05 13◇

◇ = A / W

INLET S BLUE

6 304 05 11 BL◇

◇ = A



Application

Wall recessed mounted

For indoor use only

Color Finish

A - Alu gray

W - White

Light source

6 304 05 14◇ 1x POWERLED WHITE 1,1W 4000K

6 304 05 12◇ 1x POWERLED WHITE 1,1W 3000K

6 304 05 13◇ 1x POWERLED WHITE 1,1W 2700K

6 304 05 11 BL◇ 1x POWERLED WHITE 1,1W BLUE

Product description

Powder coated aluminum construction

Remote - 350mA-DC max power supply required - 2,8V-DC typical, class 2 circuits only

Do not interconnect in parallel.

Suitable for dry or damp locations

Protected against solid objects greater than 12 mm → IP20

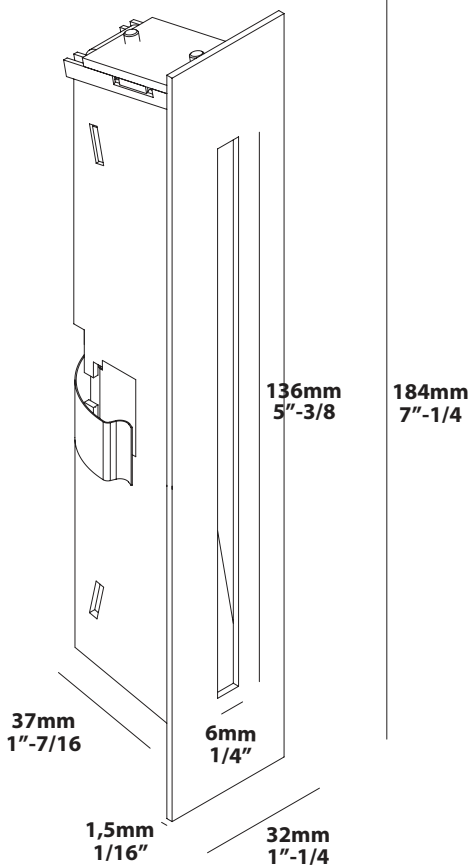
Weight: 0,4lbs 0,18kg

cETLus listed

Accessories option (not supplied)

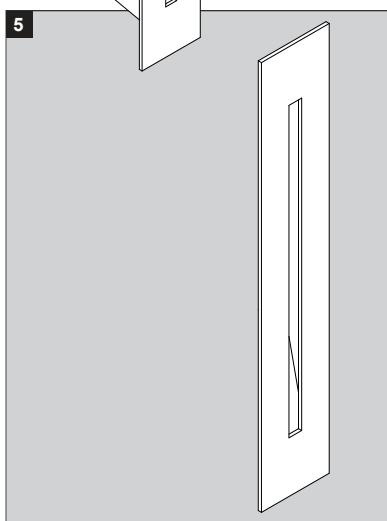
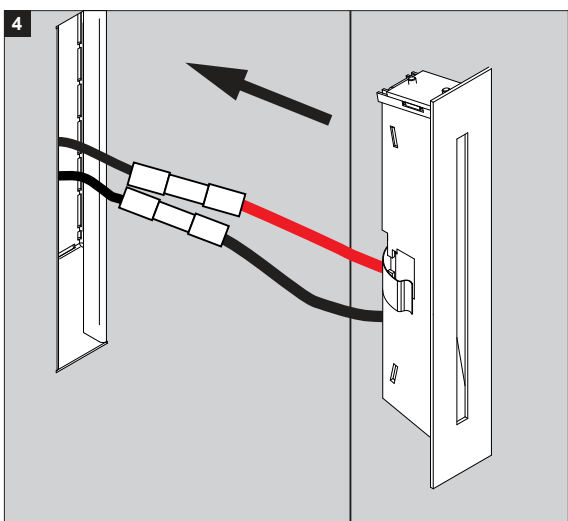
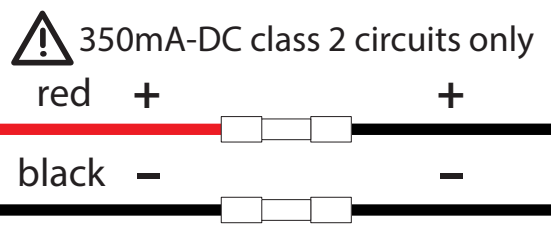
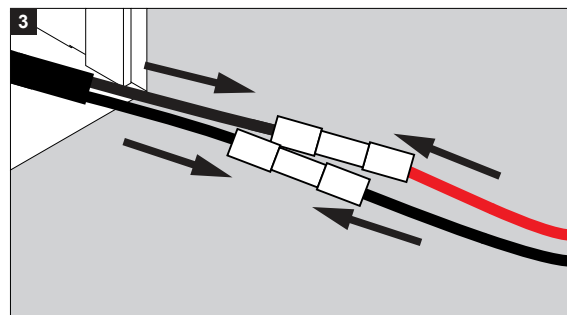
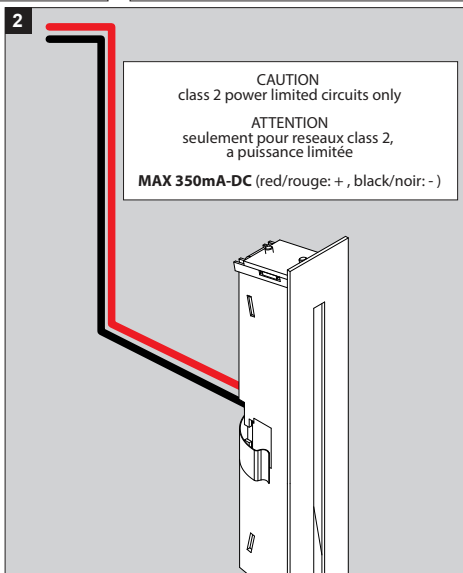
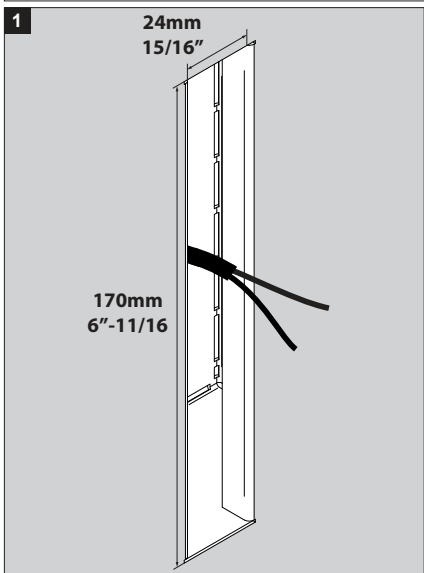
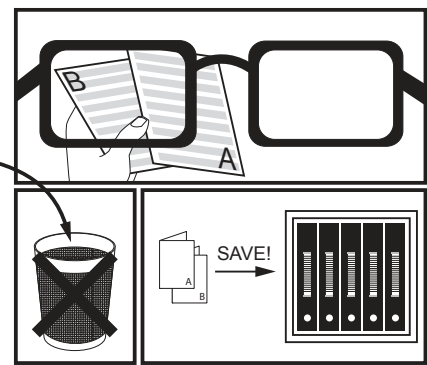
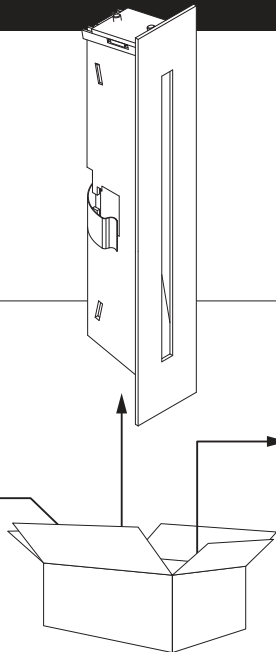
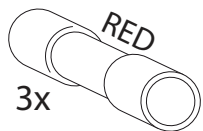
PLASTERKIT 145 304 05 99

CONCRETE BOX 145 304 05 98

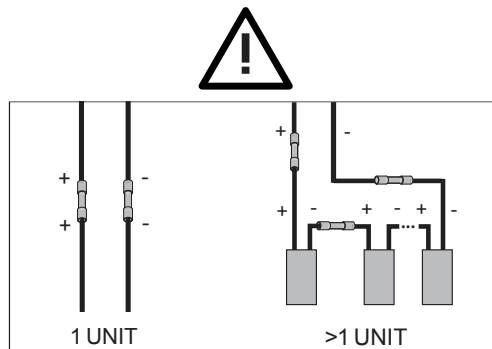


 INSTALLATION LUMINAIRE

Accessories



ELECTRICAL CONNECTION



WARNING

- Fixtures **MUST** be connected in **SERIES**.

- Connecting fixtures to a live power supply will **damage** the led module.