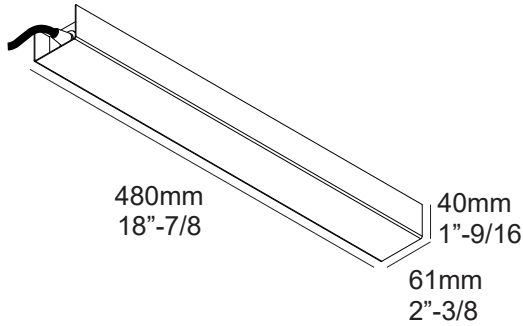


6 300 24 090 ED1 ◇

FTL - POWERBOX 24V-DC / 90W DIM1 ◇

◇ = B / W

NIC

**APPLICATION**

Ceiling surface mounted  
For indoor use only  
Listed power module for Deltalight 24Vdc suspended luminaires only.

**COLOR FINISH**

B - Black  
W - White

**LED POWER SUPPLY**

0-10V dimming ( 1% min. dimming level )  
120-277V primary voltage, 24V-DC secondary voltage, Class 2, Max. 90W

**FEATURES**

Surface treated aluminum construction  
Magnetic removable cover  
Dimming by 0-10V control (100-1% lightoutput)  
Input voltage: 120-277V-DC - 50/60Hz  
Suited for dry and damp locations  
Protected against solid objects greater than 12mm ➡ IP20  
Weight: 2,6lbs 1,3kg

**DIMENSIONS**

Height:	40mm = 1"-9/16
Length:	480mm = 18"-7/8
Width:	58mm = 2"-1/4

# INSTALLATION POWERBOX

## ACCESSOIRES



Mounting template

