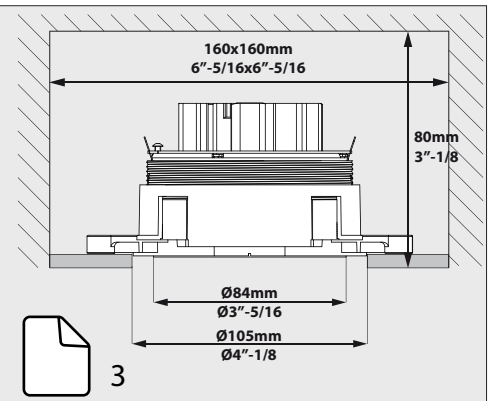
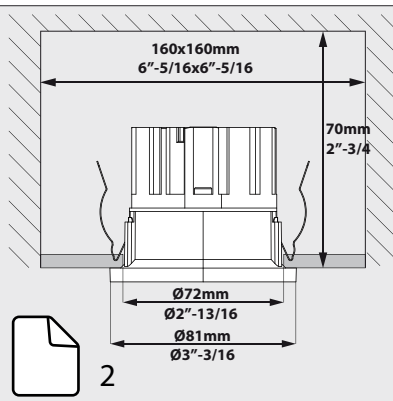
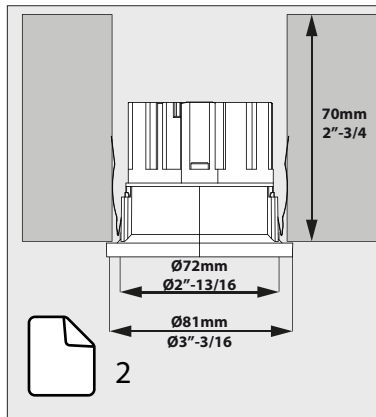
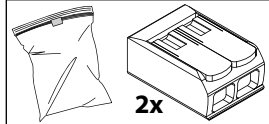
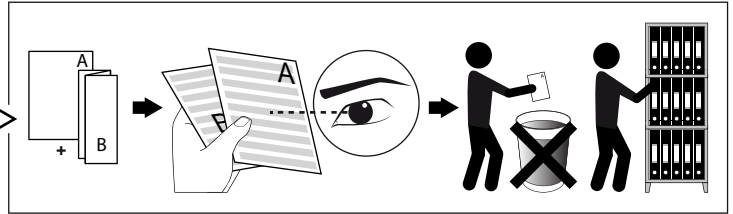
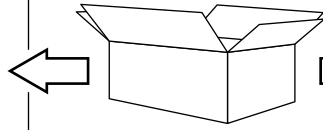


Conforms to ANSI/UL Std. 1598  
Cert. to CAN/CSA Std. 22.2 No. 250.0

# ARTUUR R **A**



**IF USING:  
ARTUUR R 50x105  
(ASYMMETRIC LENS)**

