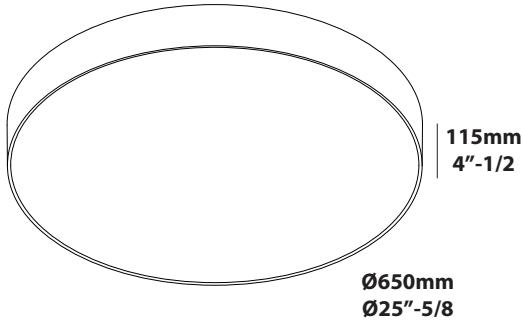


SUPERNOVA LINE 6595 DIM1

6 274 95 06 95 ED1◇

◇ = W



Application

Ceiling surface mounted
For indoor use only

Color Finish

W - White

Light source

LEDCLUSTER 60W

Product description

Powder coated metal frame, acrylic opaque shade

Input voltage: 120-277V / 60Hz

1-10V dimmable power supplies included (100 to 10% light output)

Suitable for dry or damp locations

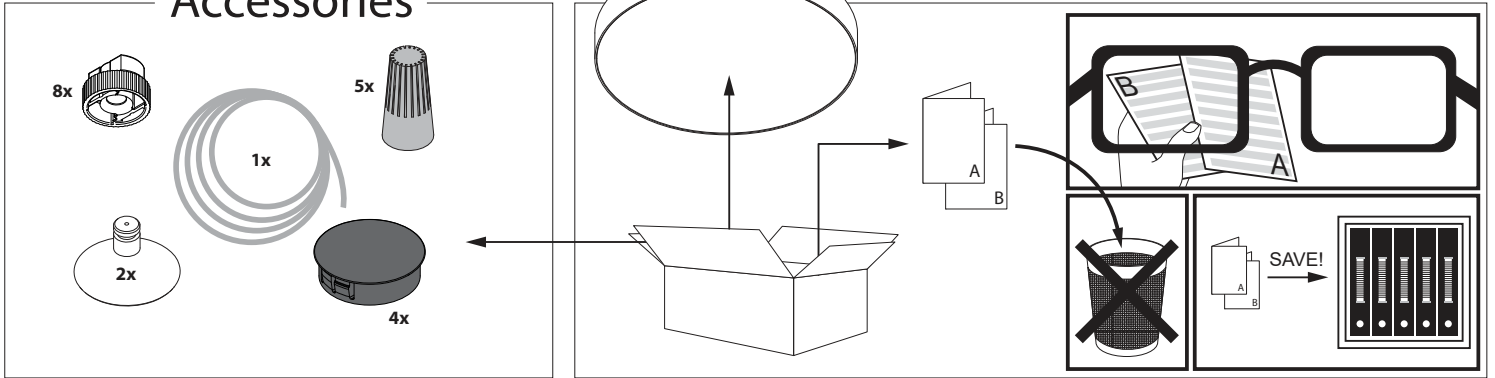
Protected against solid objects greater than 12mm ➔ IP20

Weight: 19,1lbs 8,7kg

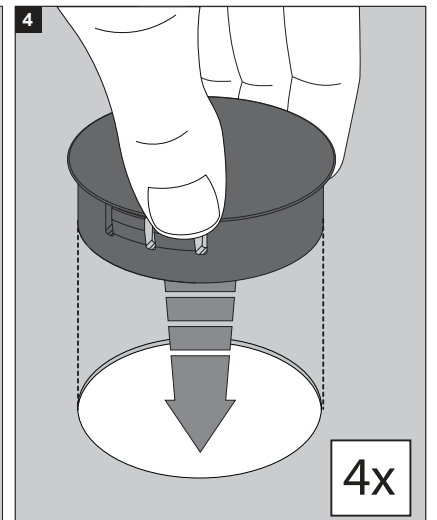
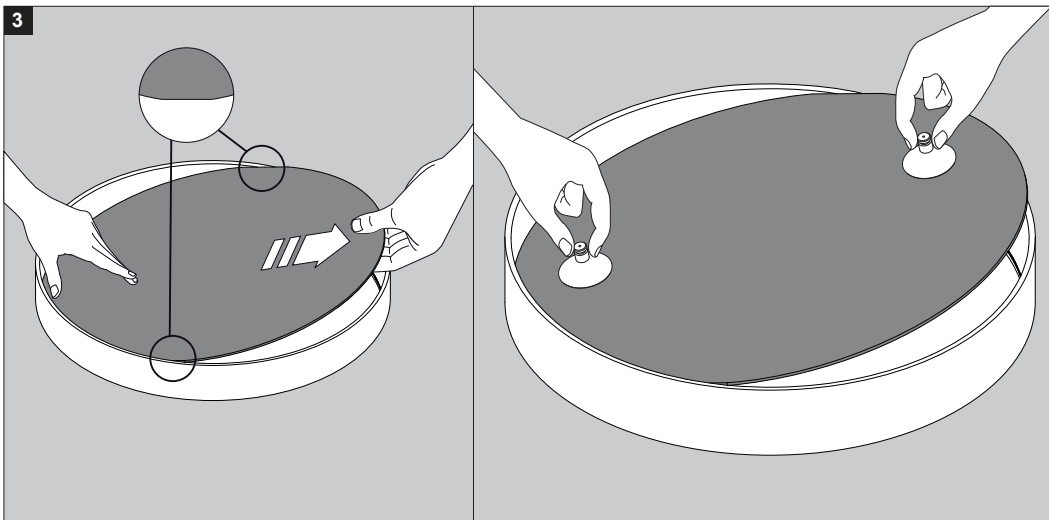
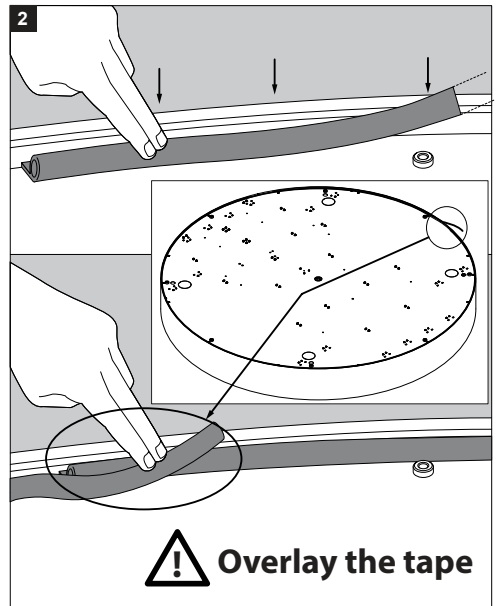
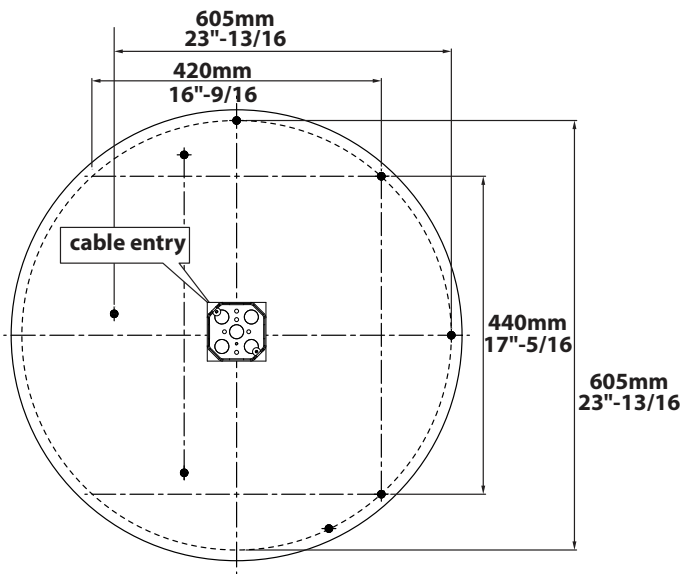


INSTALLATION LUMINAIRE

Accessories

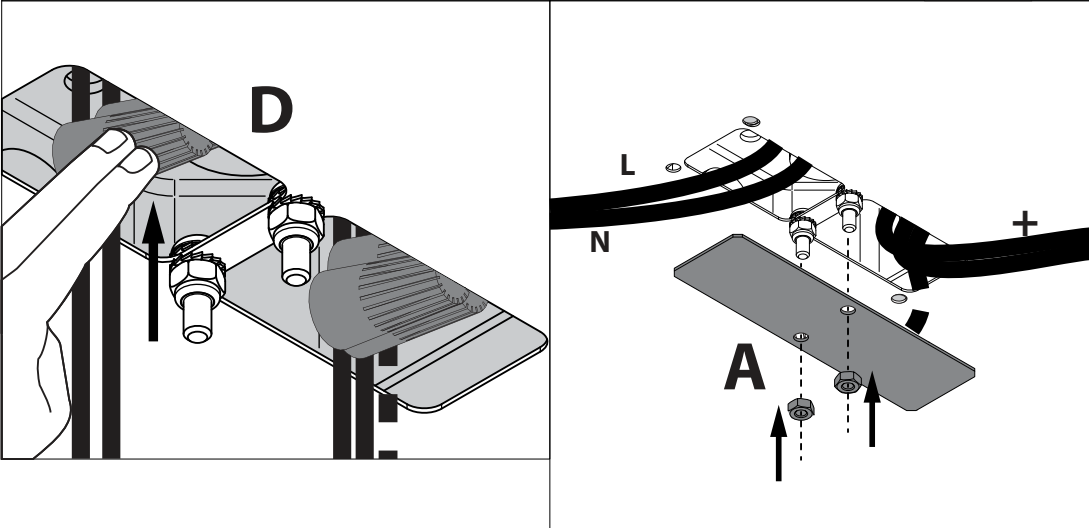
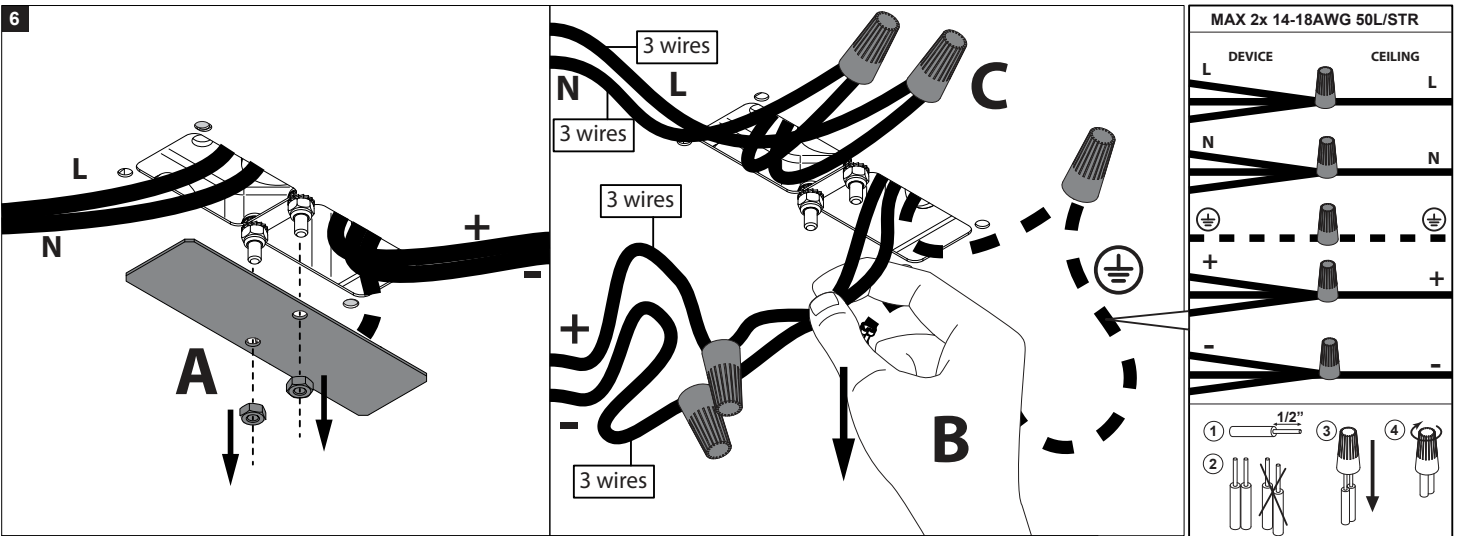
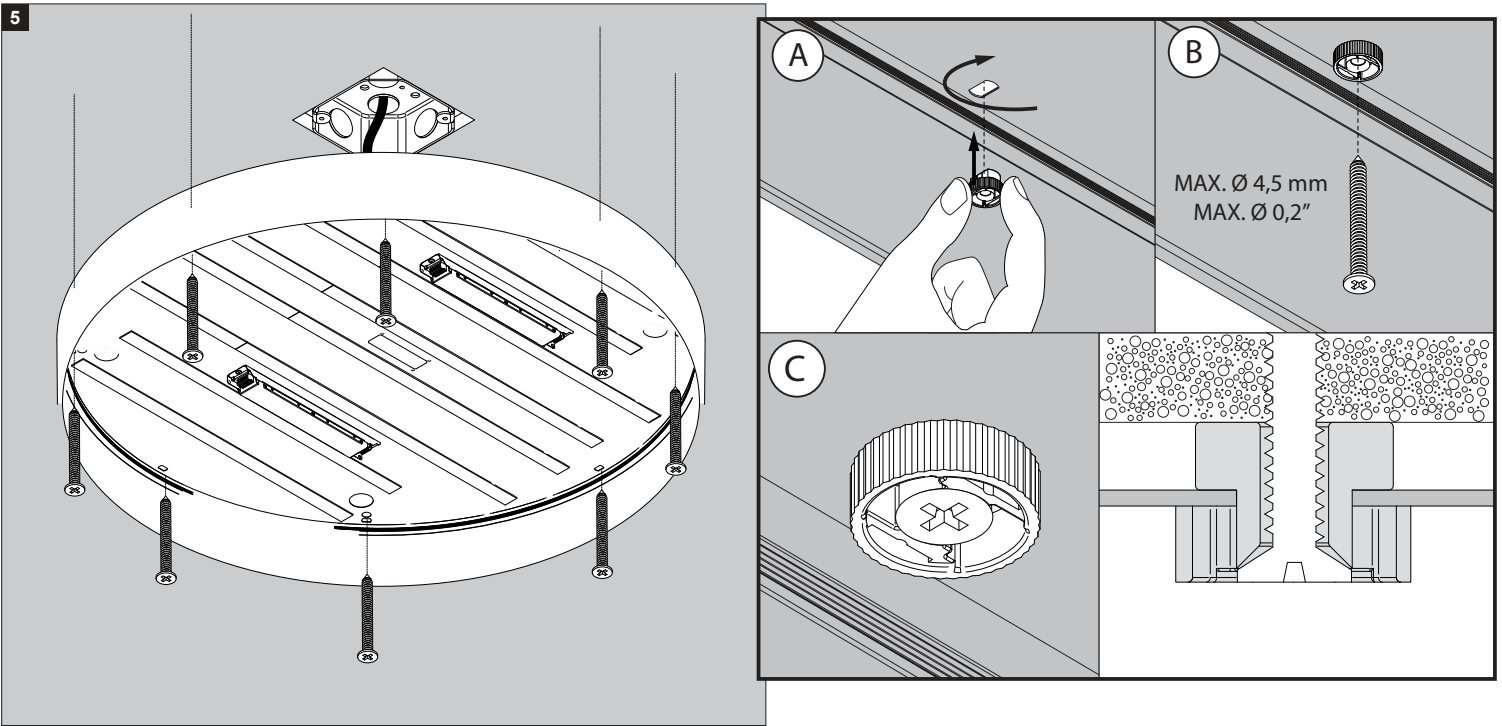


1 MOUNTING TEMPLATE

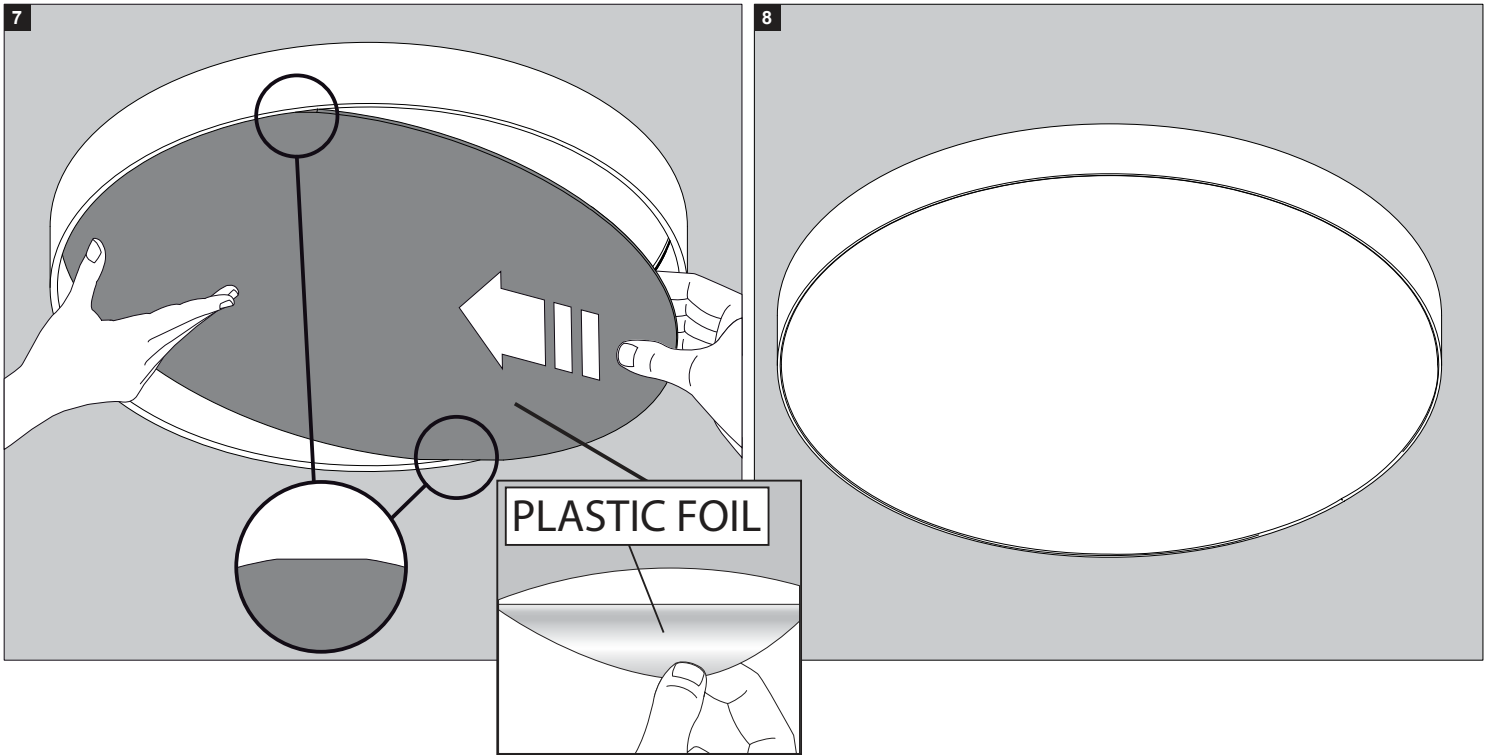




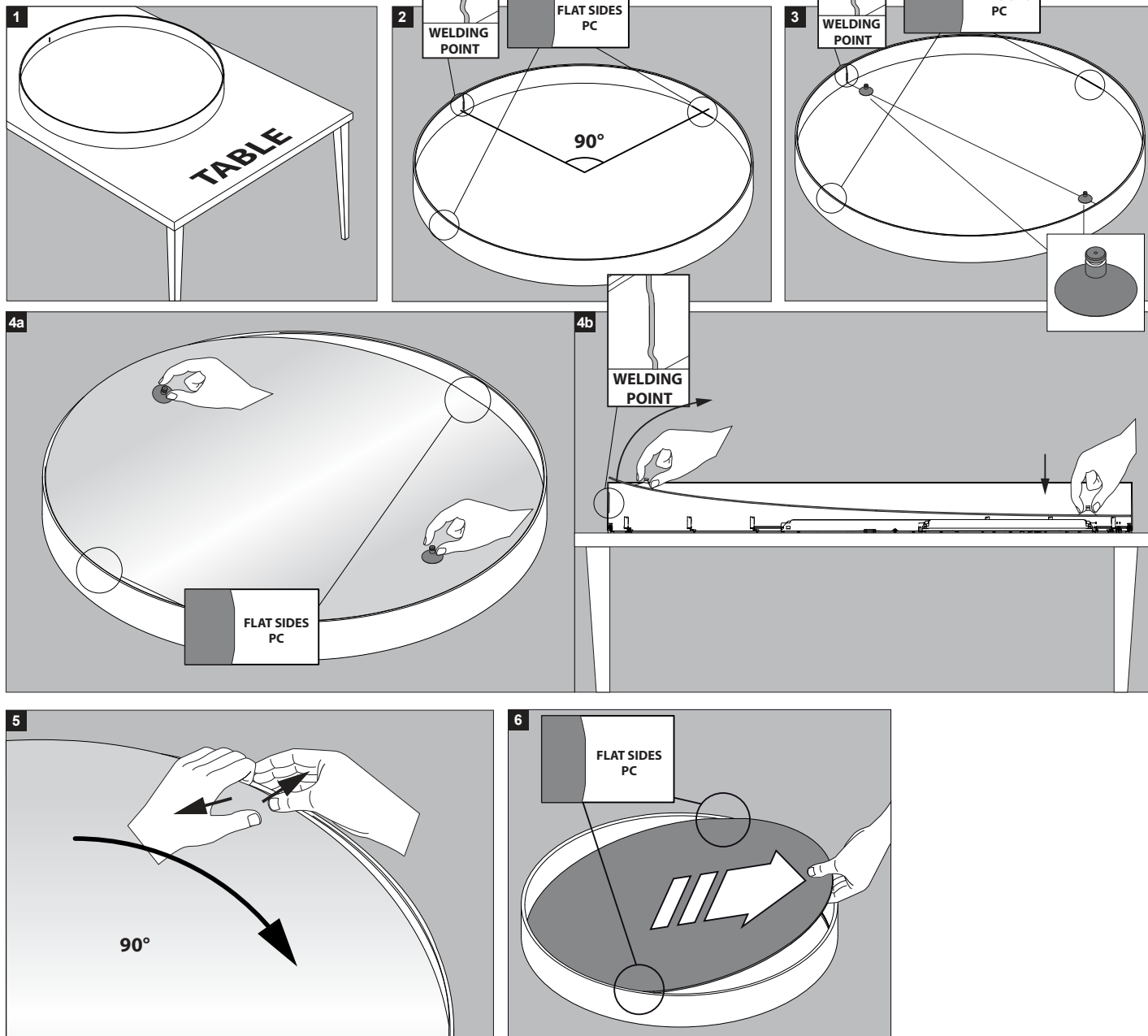
INSTALLATION LUMINAIRE



! FIELD INSTALLED POWER LIMITED
CIRCUITS SHALL HAVE MINIMUM 300V
RATED INSULATED CONDUCTORS



HOW TO REMOVE THE LENS?



HOW TO PUT THE LENS BACK?

