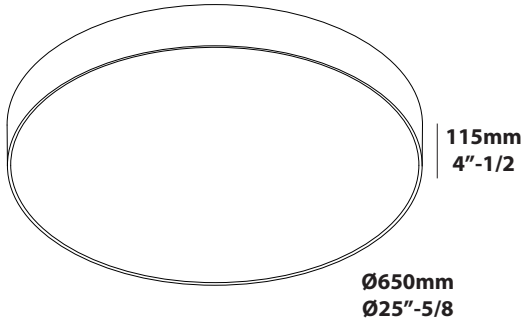


**SUPERNOVA LINE 65 TW DIM5**◇

6 274 95 06 26 ED5◇

◇= W / B



**Application**

Ceiling surface mounted  
For indoor use only, dry and damp locations  
Color temperature adjustable ( 2700K - 5700K )

**Color Finish**

W - White  
B - Black

**Light source**

LEDCLUSTER 57W  
2700K - 10520lm < > 5700K - 12103lm

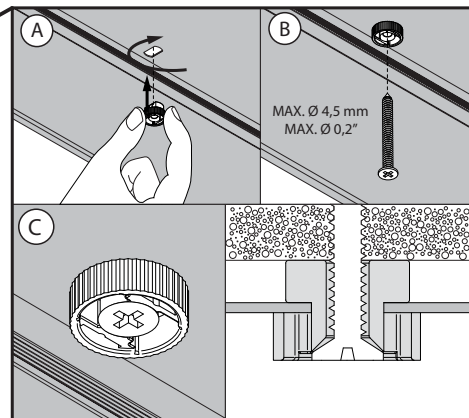
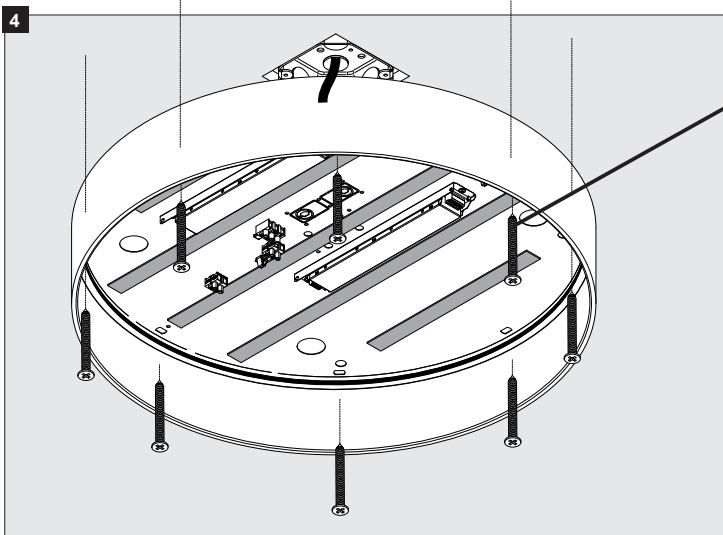
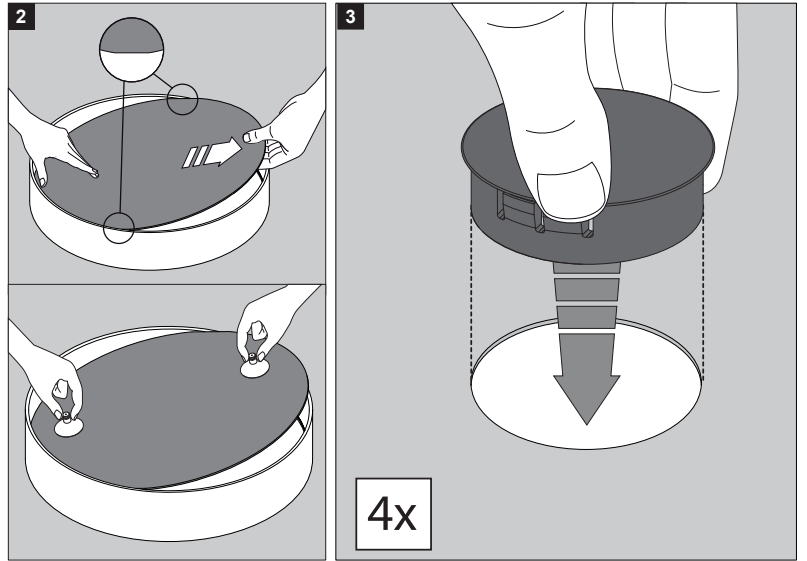
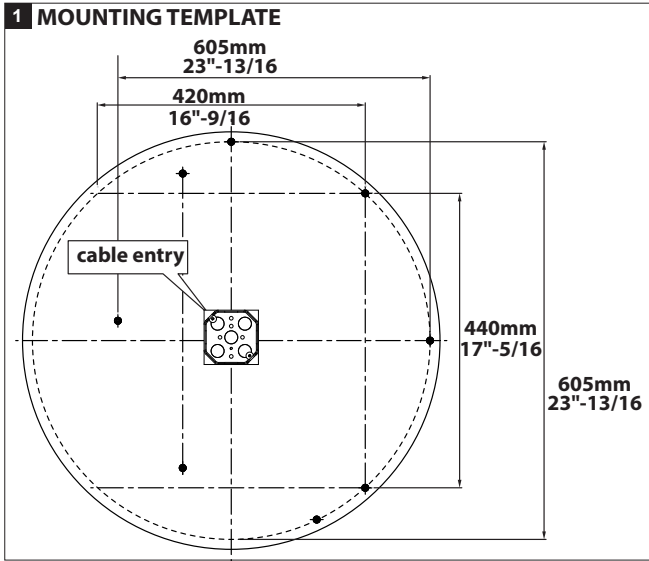
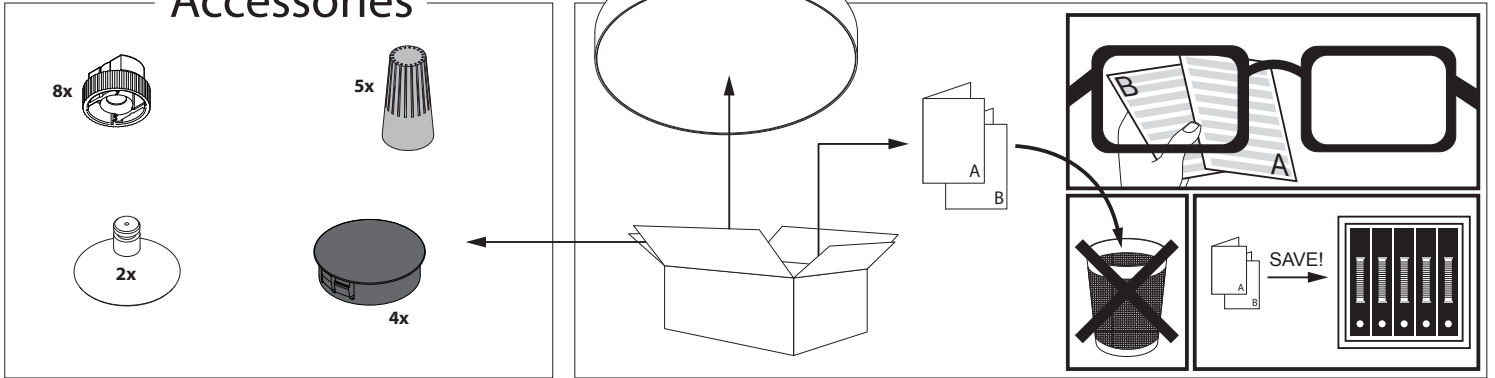
**Product description**

Powder coated metal frame, acrylic opaque shade  
Input voltage: 120-277V / 60Hz  
Dimmable power supply included, DALI DT6 dimming protocol  
2 Dali adressess  
GROUP ADRESS "0" (Power) = 0% ↔ 100%  
GROUP ADRESS "1" (Color) = 2700K ↔ 5700K  
Method DT6 (Device Type 6)  
Suitable for dry or damp locations  
Protected against solid objects greater than 12mm → IP20  
Weight: 14,0lbs 6,4kg

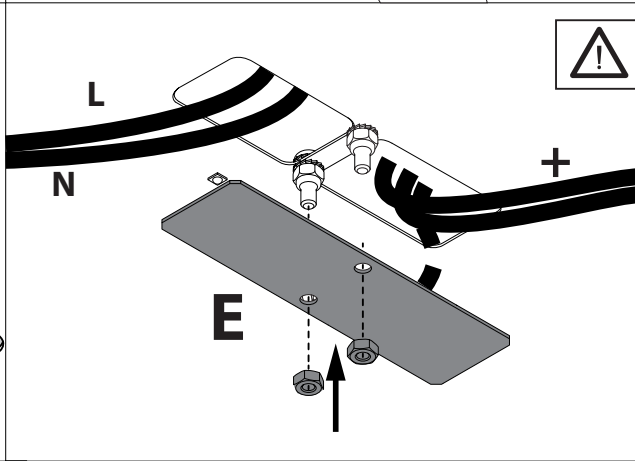
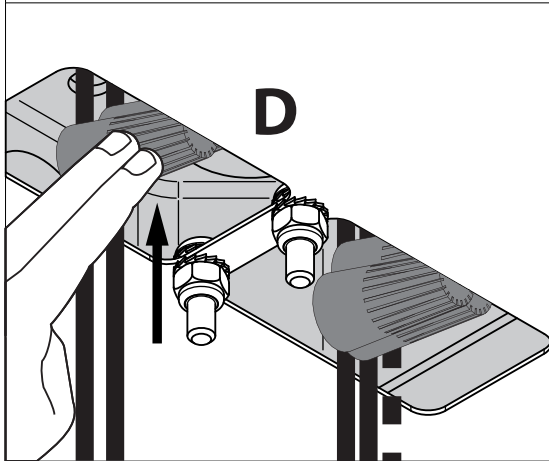
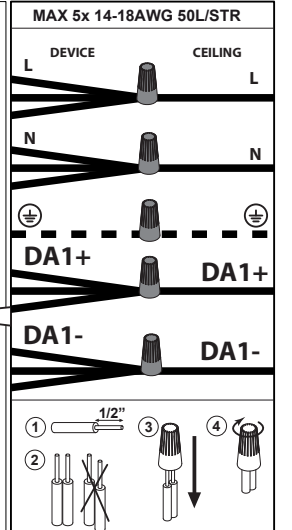
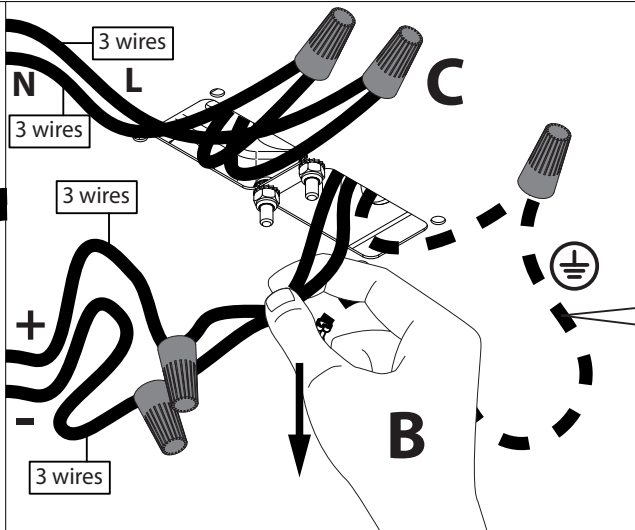
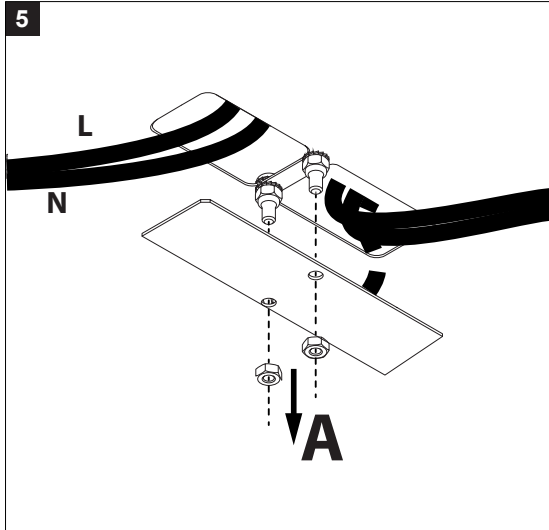


# INSTALLATION LUMINAIRE

## Accessories



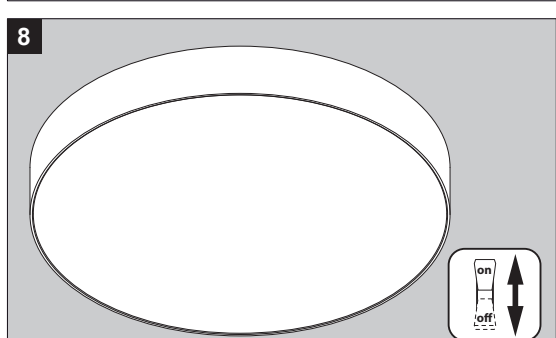
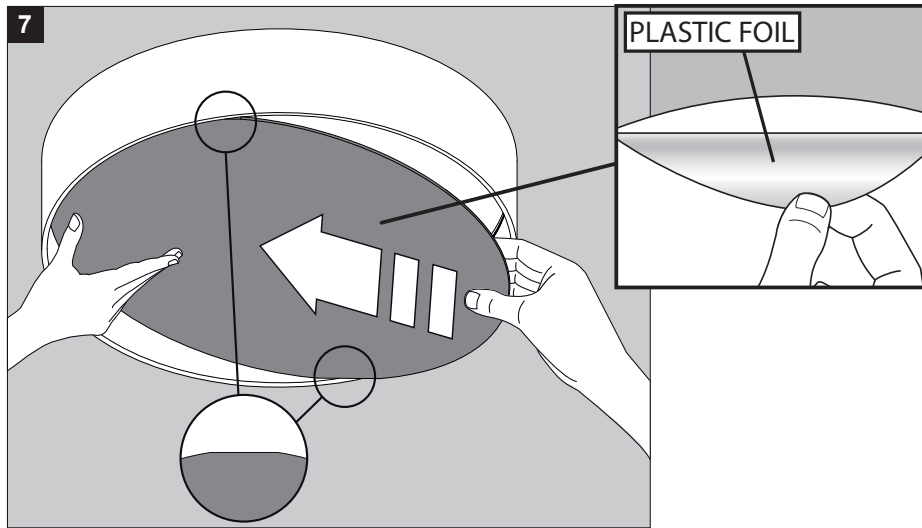
**INSTALLATION LUMINAIRE**



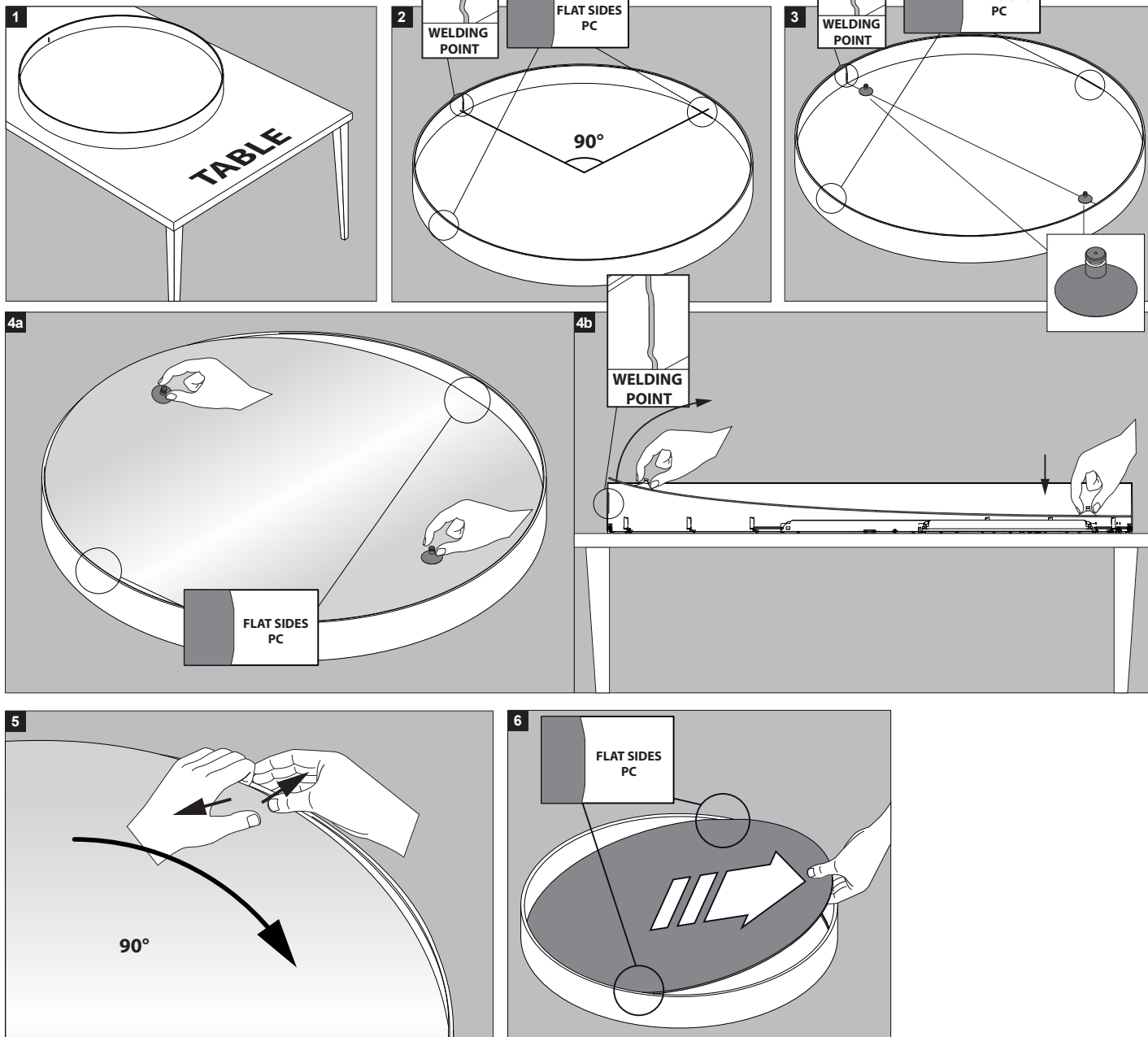
**!** FIELD INSTALLED POWER LIMITED CIRCUITS SHALL HAVE MINIMUM 300V RATED INSULATED CONDUCTORS

**6**

<b>!</b>	Warm White	100%
<b>!</b>	Cold White	0%
<b>!</b>	Warm White	50%
<b>!</b>	Cold White	50%
<b>!</b>	Warm White	0%
<b>!</b>	Cold White	100%



### HOW TO REMOVE THE LENS?



### HOW TO PUT THE LENS BACK?

