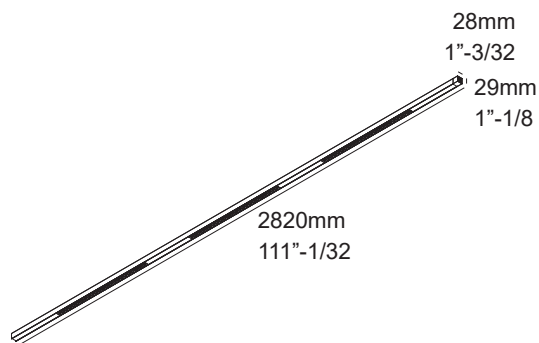


INFORM SQ F282-6 83067◇
 6 25527 8320◇
 ◇ = B-B / B-MMAT / W-B / W-W
 INFORM SQ F282-6 83567◇
 6 25527 8520◇
 ◇ = B-B / B-MMAT / W-B / W-W



Application

Ceiling surface mounted luminaire
 For indoor use only

Color Finish

B - BLACK
 W - WHITE
 MMAT - GOLD MATT

Light source

LEDcluster 30,6W

Power Supply

Current controlled class 2 power supply required. (See requirement-list)
 max 900mA, Do not interconnect in parallel!
 To be installed remotely

Specification features

Housing fabricated of powder coated aluminium
 Protected against solid objects greater than 12mm ➡ IP20
 Suited for dry and damp locations only
 Weight: 4,2lbs 1,9kg

Options

6 204 99 129 COVERPLATE S 129

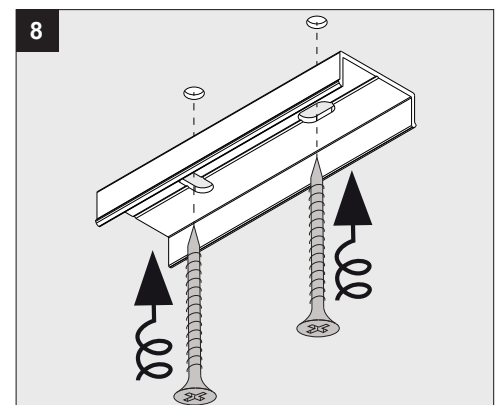
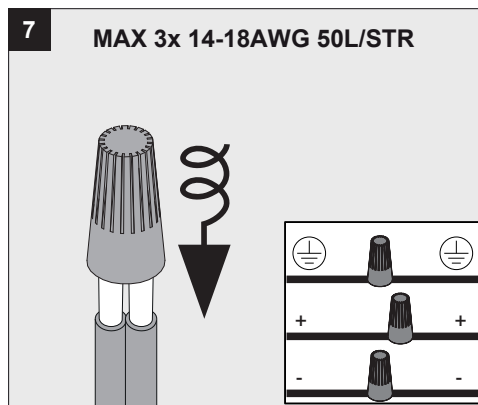
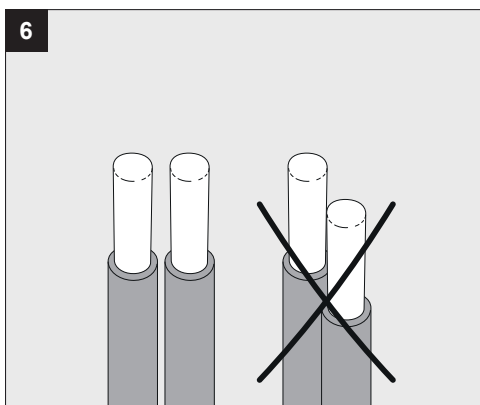
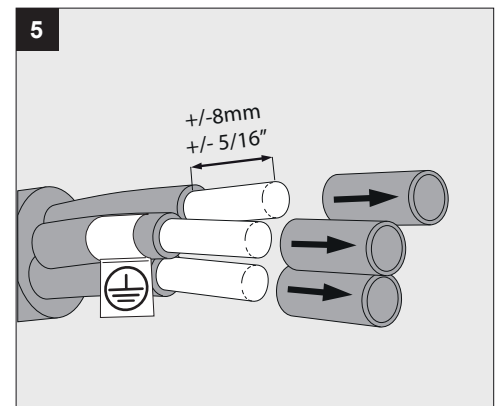
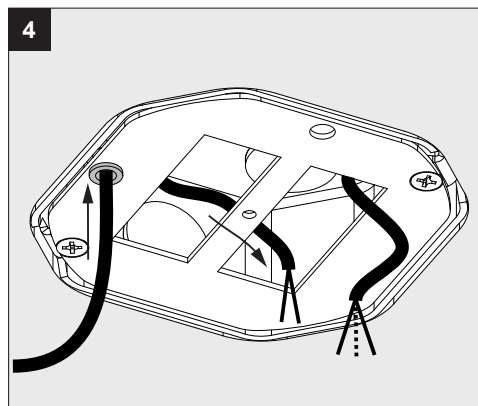
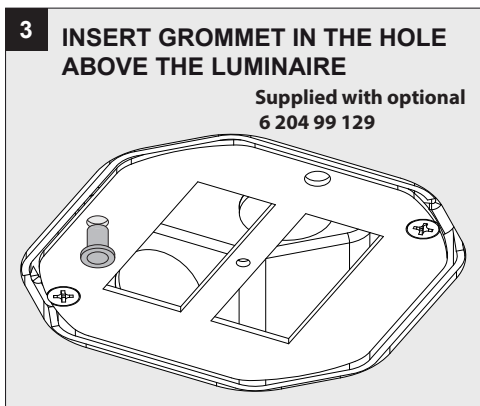
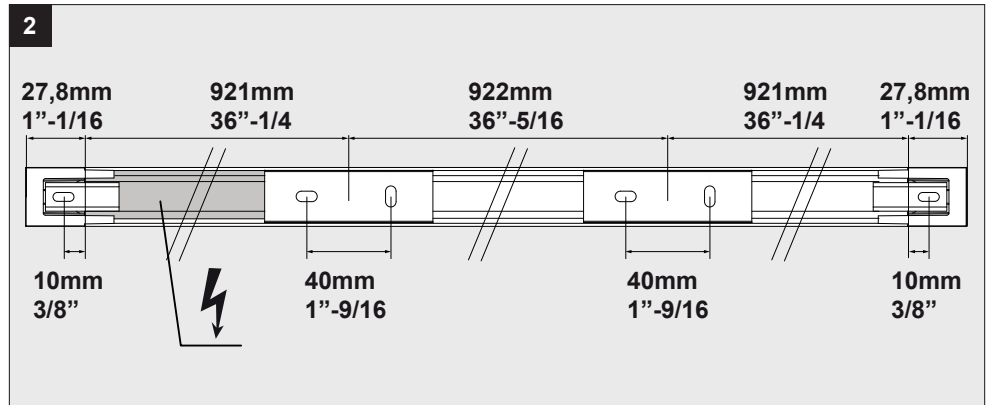
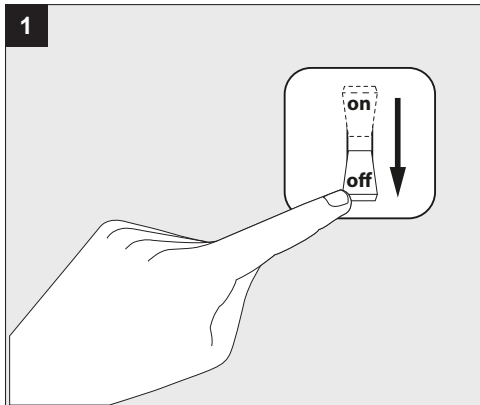
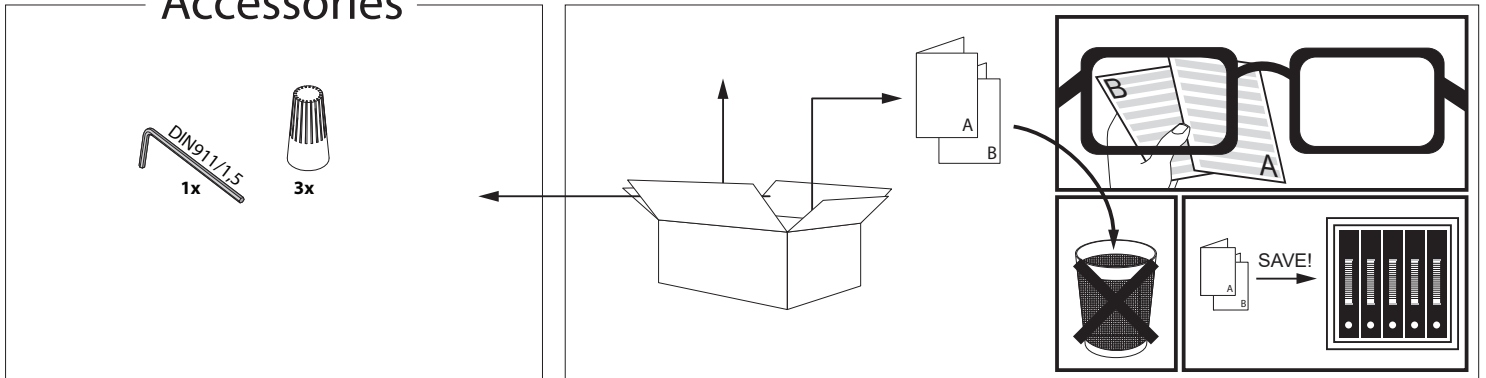
Required

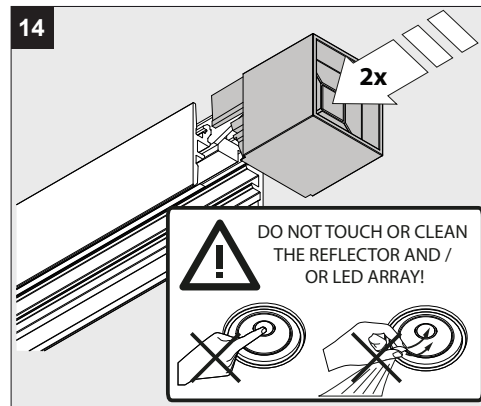
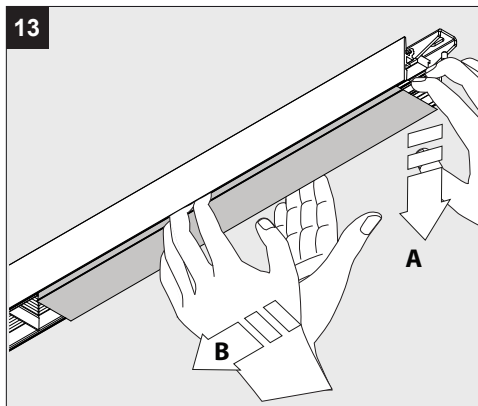
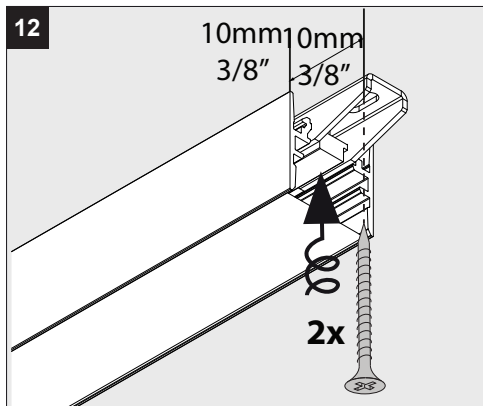
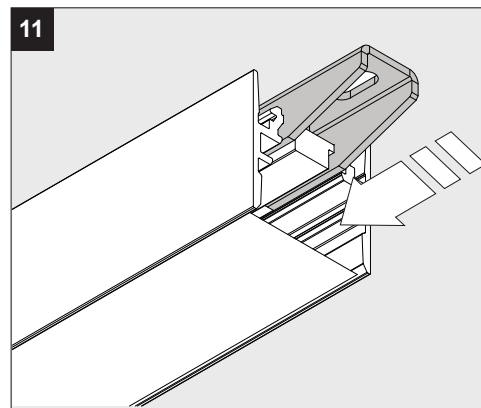
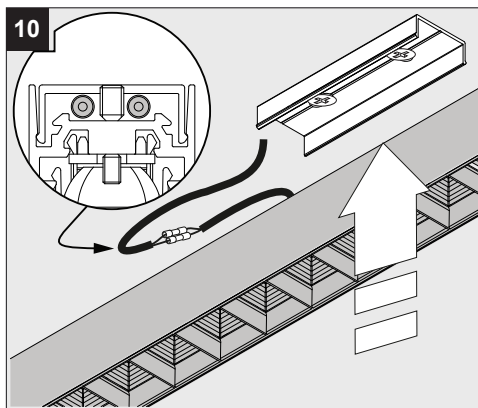
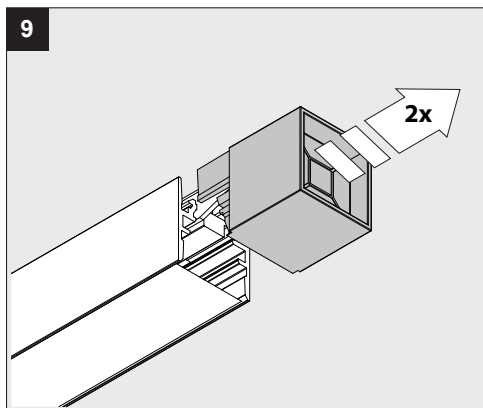
6 300 94 ED1 LED POWER SUPPLY 900mA-DC / 50W DIM1
 or
 6 300 91 ED13 LED POWER SUPPLY 900mA-DC / 40W DIM13



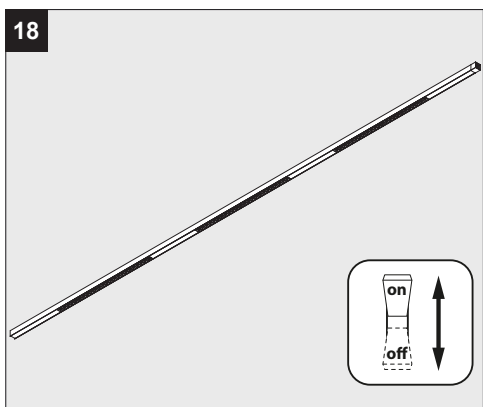
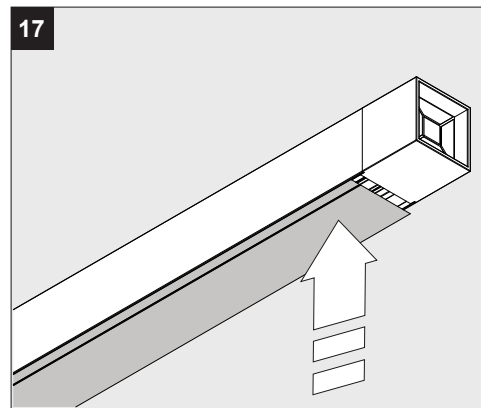
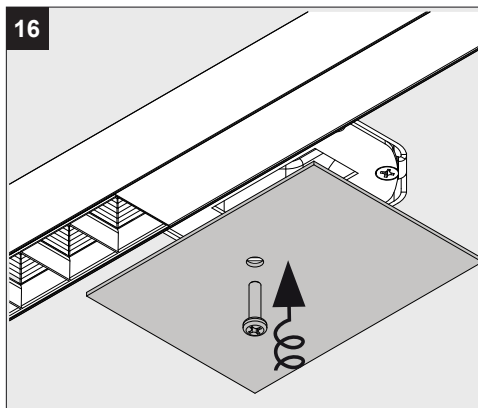
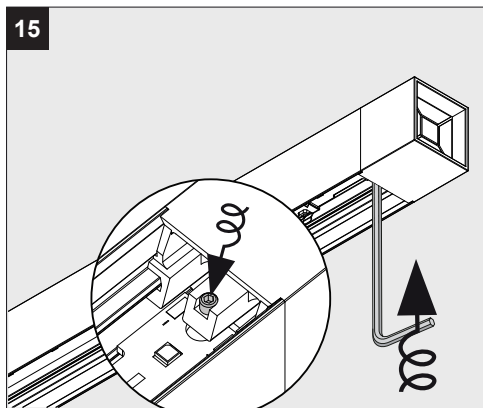
INSTALLATION LUMINAIRE

Accessories





DO NOT TOUCH OR CLEAN THE REFLECTOR AND / OR LED ARRAY!



De verlichtingsbron van dit verlichtingstoestel zal enkel door de fabrikant of door de fabrikant aangestelde installateur vervangen worden.

La source lumière de cet appareil ne sera remplacée que par l'entreprise ou par un agent reconnu.

Das enthaltene Leuchtmittel sollte nur durch entsprechendes Fachpersonal ersetzt werden.

The light source contained in this luminaire shall only be replaced by the manufacturer or his service agent.

La fuente de iluminación que tiene esta luminaria sólo puede remplazarse por el fabricante o por un instalador autorizado.

La sorgente luminosa incorporata in questo apparecchio può essere sostituita solo dal produttore, da un suo centro assistenza oppure da una persona in possesso della necessaria abilitazione.