

**INFORM SQ P200-4 DOWN-UP 83067** ◇

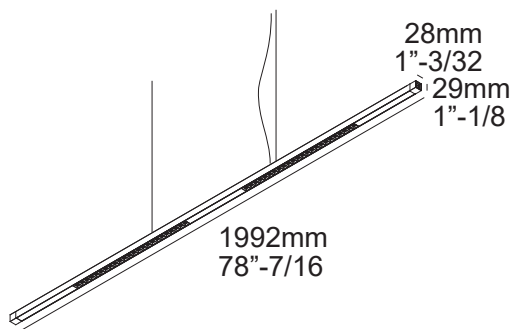
6 25516 8320 ◇

◇ = B-B / B-MMAT / W-B / W-W

**INFORM SQ P200-4 DOWN-UP 83567** ◇

6 25516 8520 ◇

◇ = B-B / B-MMAT / W-B / W-W



**Application**

Ceiling mounted pendant luminaire  
For indoor use only

**Color Finish**

B - BLACK  
W - WHITE  
MMAT - GOLD MATT

**Light source**

LEDcluster 13,6W DOWN  
LEDcluster 20,4W UP

**Power Supply**

Current controlled class 2 power supply required. ( See requirement-list )  
max 1000mA, Do not interconnect in parallel!  
To be installed remotely

**Specification features**

Housing fabricated of powder coated aluminium  
Protected against solid objects greater than 12mm ➡ IP20  
Suited for dry and damp locations only  
Weight: 3,5lbs 1,6kg

**Options**

6 204 00 212	COVERPLATE R 212
6 204 99 126	COVERPLATE S 126

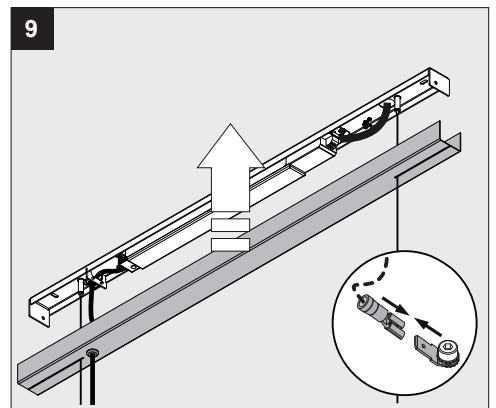
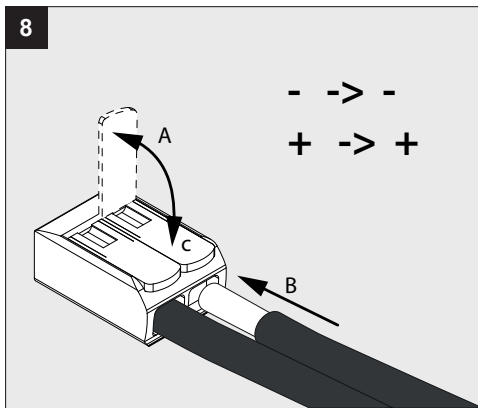
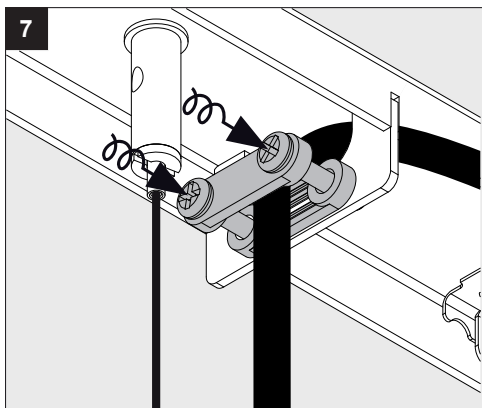
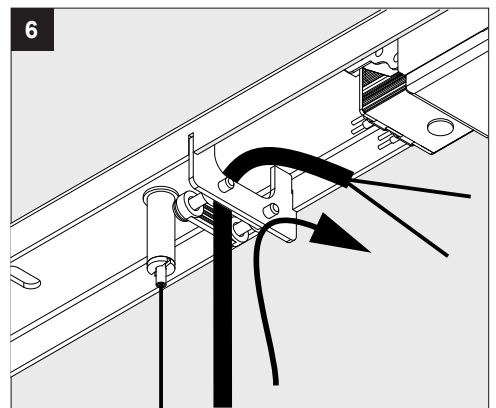
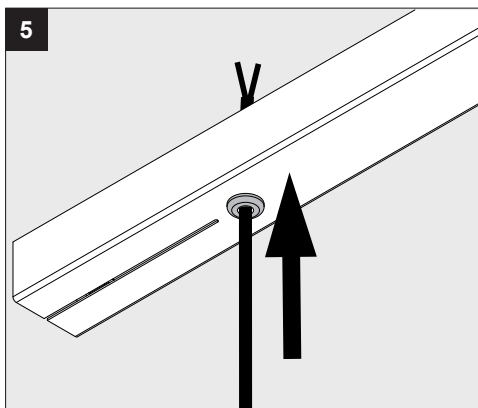
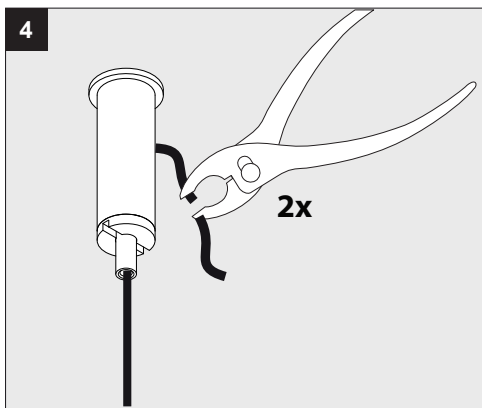
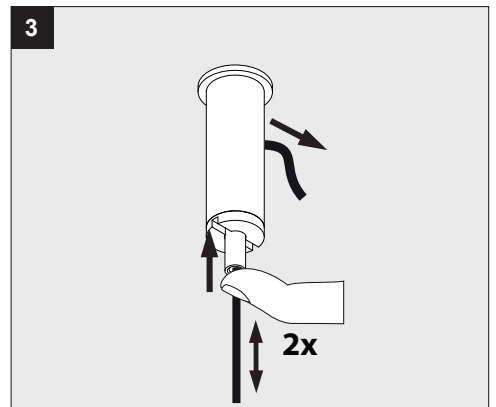
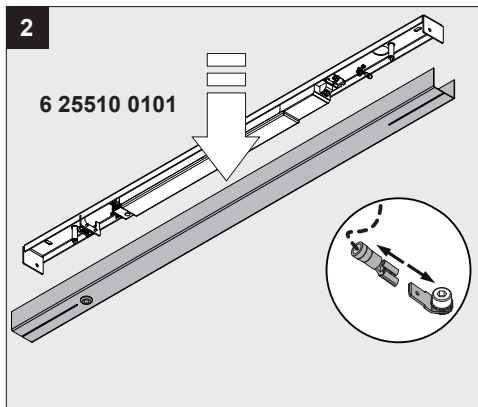
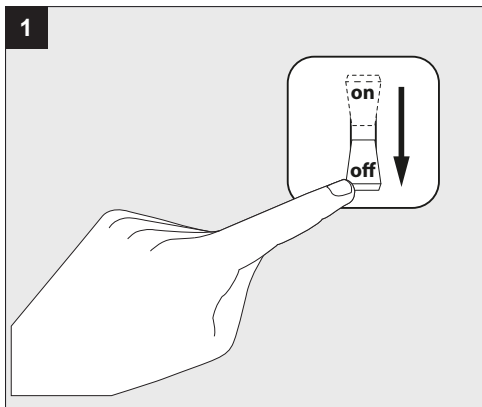
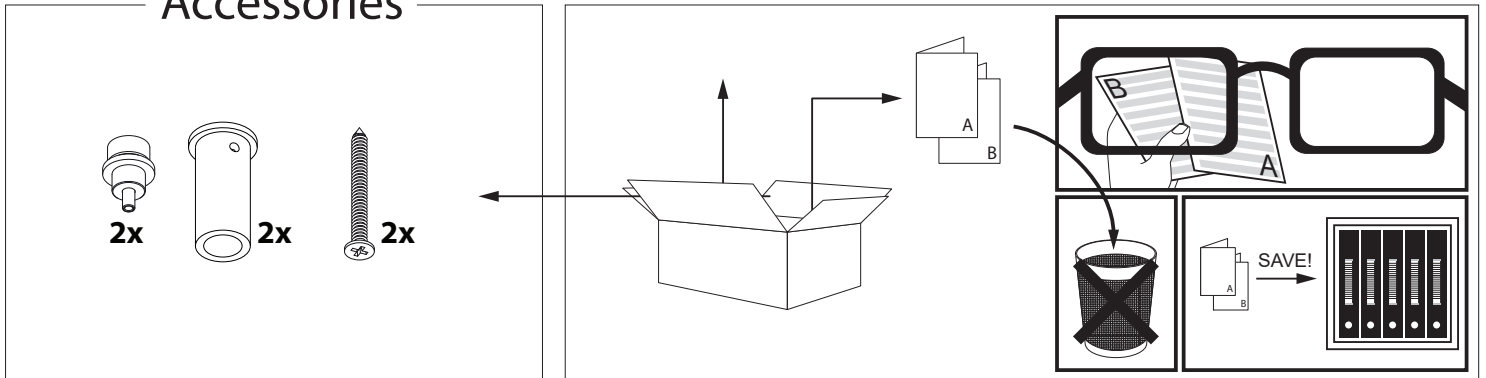
**Required**

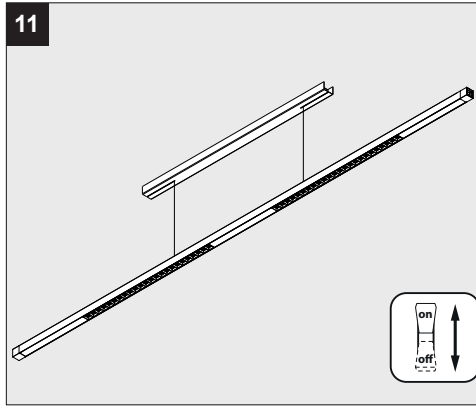
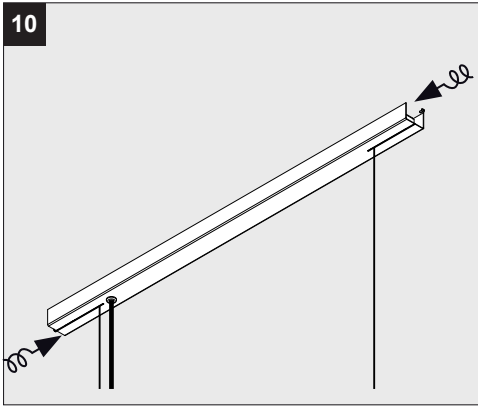
6 25510 0101	INFORM SQ P200-4 DOWN-UP POWERBOX DIM1
or	
6 25510 01013	INFORM SQ P200-4 DOWN-UP POWERBOX DIM13
or	
6 300 11 ED1 1000	LED POWER SUPPLY 1000mA-DC / 55W DIM1
or	
6 300 36 ED13 1000	LED POWER SUPPLY 1000mA-DC / 55W DIM13



# INSTALLATION LUMINAIRE

## Accessories





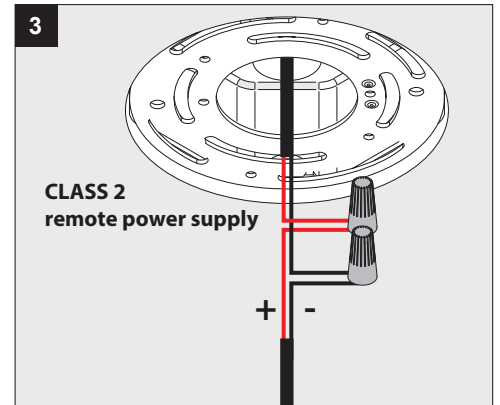
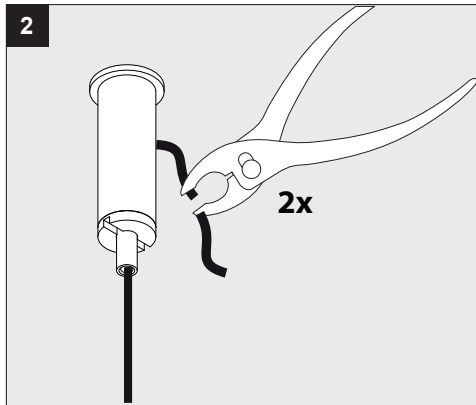
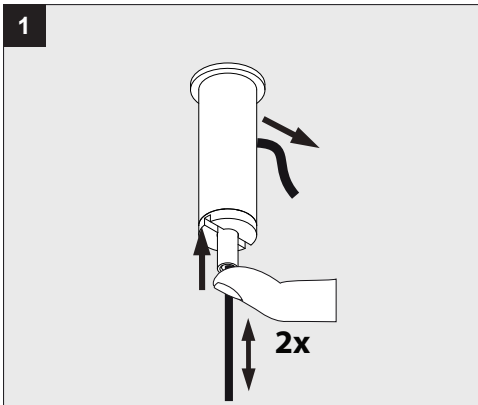
✓

✗

**WARNING!**  
The weight of the luminaire must be suspended by the steel cables, not by the power cord.

**ATTENTION!**  
Le poids du luminaire doit être suspendu par les cables en acier, le cable électrique ne peut pas suspendre le luminaire.

Remote power supply



**3 PRIMARY CONNECTION**

**SECONDARY CONNECTION**

0-10V Dim		Hi-Lume EcoSystem	
L	L	L	L
N	N	N	N
⊕	⊕	⊕	⊕
+	+	E1	E1
-	-	E2	E2

⚠ FIELD INSTALLED POWER LIMITED CIRCUITS SHALL HAVE MINIMUM 300V RATED INSULATED CONDUCTORS

De verlichtingsbron van dit verlichtingstoestel zal enkel door de fabrikant of door de fabrikant aangestelde installateur vervangen worden.

La source lumière de cet appareil ne sera remplacée que par l'entreprise ou par un agent reconnu.

Das enthaltene Leuchtmittel sollte nur durch entsprechendes Fachpersonal ersetzt werden.

The light source contained in this luminaire shall only be replaced by the manufacturer or his service agent.

La fuente de iluminación que tiene esta luminaria sólo puede remplazarse por el fabricante o por un instalador autorizado.

La sorgente luminosa incorporata in questo apparecchio può essere sostituita solo dal produt tore, da un suo centro assistenza oppure da una persona in possesso della necessaria abilitazione.