

**PARTOU S IP 92718**◇

6 25216 9210 ◇

◇= B-B / W-W

**PARTOU S IP 92725**◇

6 25216 9220 ◇

◇= B-B / W-W

**PARTOU S IP 92737**◇

6 25216 9230 ◇

◇= B-B / W-W

**PARTOU S IP 93018**◇

6 25216 9310 ◇

◇= B-B / W-W

**PARTOU S IP 93025**◇

6 25216 9320 ◇

◇= B-B / W-W

**PARTOU S IP 93037**◇

6 25216 9330 ◇

◇= B-B / W-W

**PARTOU S IP 93518**◇

6 25216 9510 ◇

◇= B-B / W-W

**PARTOU S IP 93525**◇

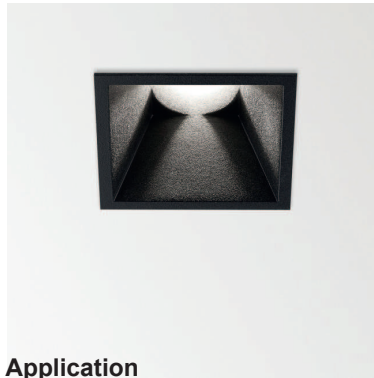
6 25216 9520 ◇

◇= B-B / W-W

**PARTOU S IP 93537**◇

6 25216 9530 ◇

◇= B-B / W-W



**Application**

Ceiling recessed

Finishing section to be used with DELTA LIGHT® rough-in housing, plasterframe or remodel  
For indoor use.

**Ceiling Thickness**

For MIN. 3/16" ceiling

**Light source**

1x powered white 9W at 500mA-DC

**Power Supply**

Current controlled class 2 power supply required. (supplied with rough-in section)  
max 500mA, typical forward voltage 17,4V. Do not interconnect in parallel!

**Specification features**

Housing fabricated of powder coated aluminium

Pre-installed springs for easy installation

Protected against solid objects greater than 12mm ➡ IP20

Suited for dry and damp locations.

Weight: 0,4lbs 0,2kg

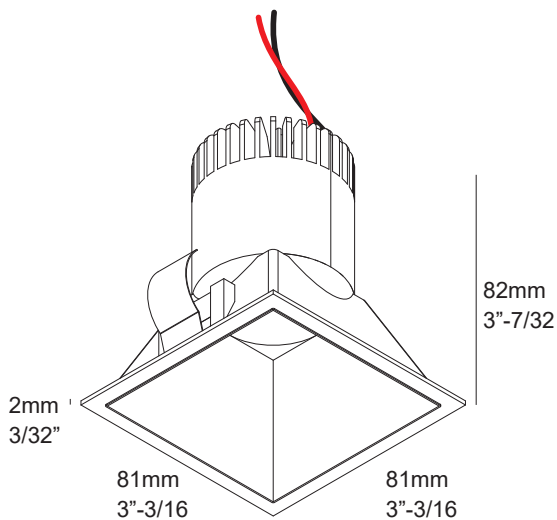
**Ceiling Cut-out**

76,2mm x 76,2mm = 3"x 3"

**Required options**

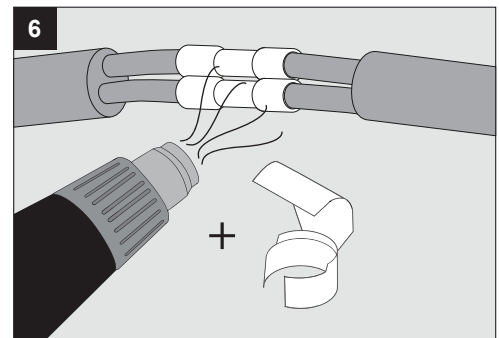
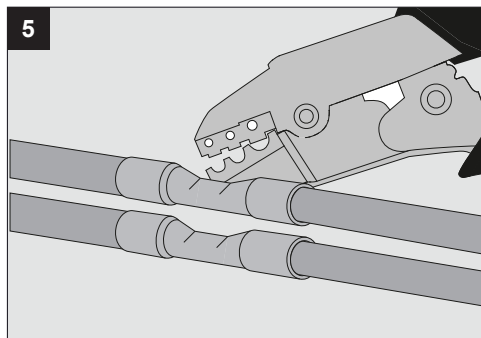
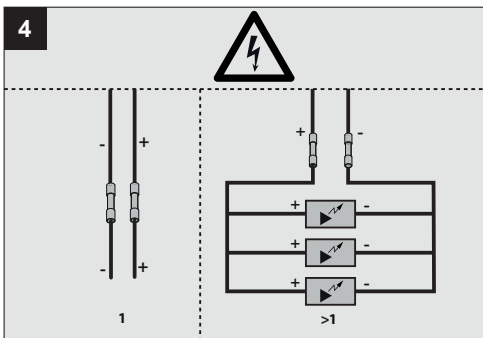
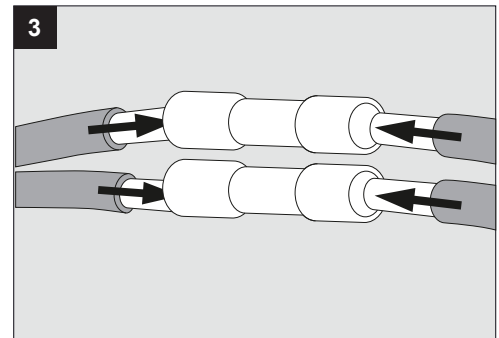
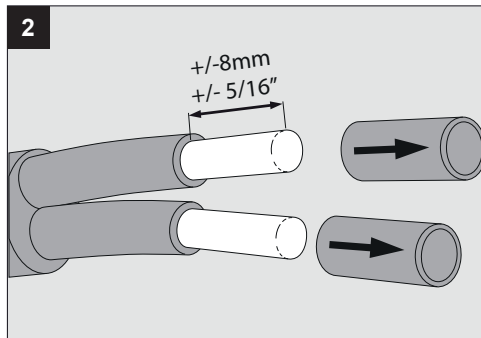
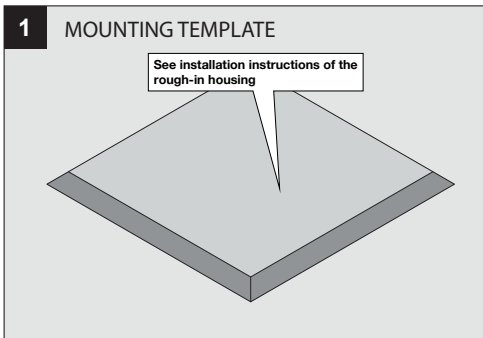
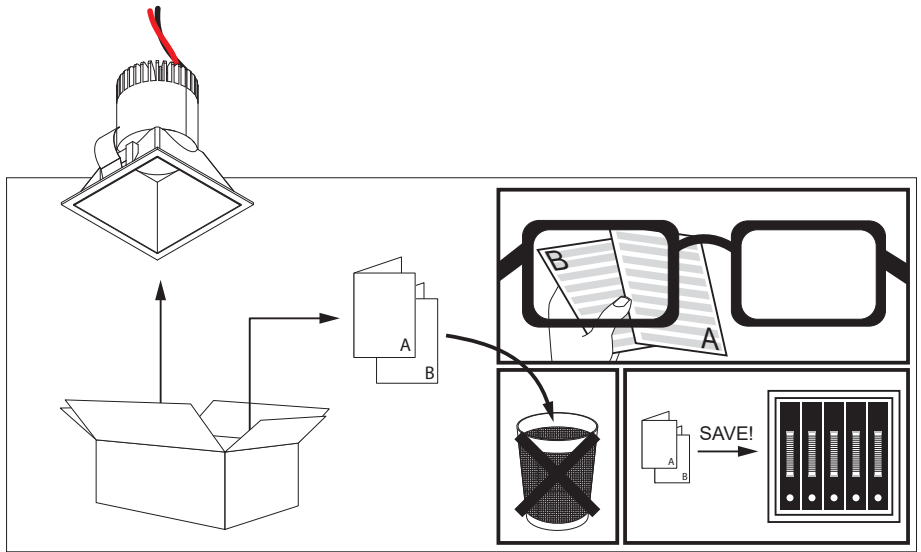
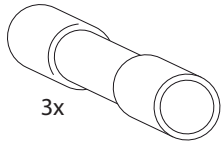
Housing for IC and/or airtight applications

Plasterframe or remodel IJB NON-IC applications

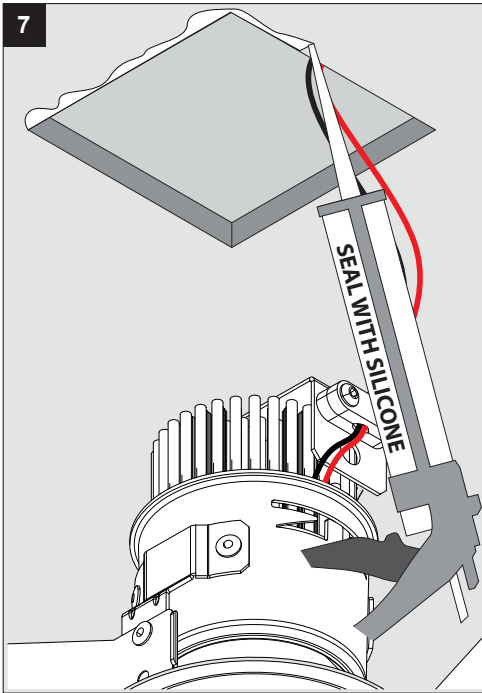


 INSTALLATION LUMINAIRE

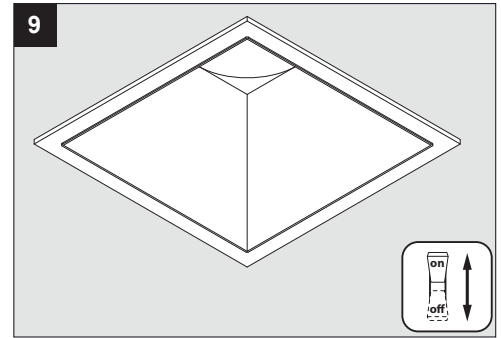
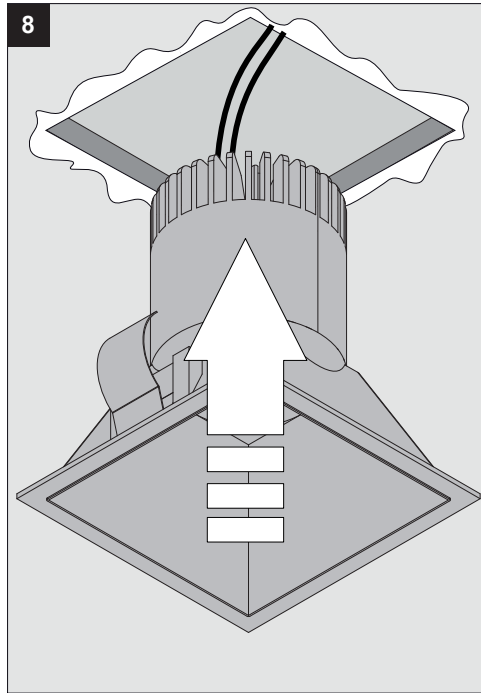
Accessories



 **INSTALLATION LUMINAIRE**



**SEAL WITH SILICONE WHEN USED  
IN WET LOCATION.  
( ONLY WITH COVERED CEILING )**



De verlichtingsbron van dit verlichtingstoestel zal enkel door de fabrikant of door de fabrikant aangestelde installateur vervangen worden.

La source lumière de cet appareil ne sera remplacée que par l'entreprise ou par un agent reconnu.

Das enthaltene Leuchtmittel sollte nur durch entsprechendes Fachpersonal ersetzt werden.

The light source contained in this luminaire shall only be replaced by the manufacturer or his service agent.

La fuente de iluminación que tiene esta luminaria sólo puede remplazarse por el fabricante o por un instalador autorizado.

La sorgente luminosa incorporata in questo apparecchio può essere sostituita solo dal produt tore, da un suo centro assistenza oppure da una persona in possesso della necessaria abilitazione.