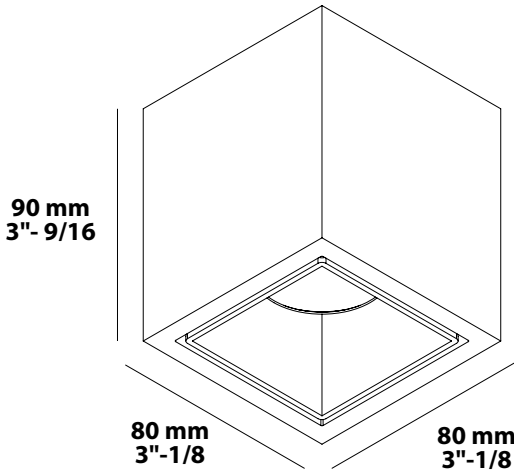
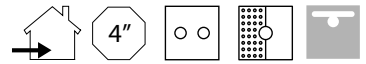


BOXY L+ LED 92733 DIM8 ◇
 6 251 67 811 922 ED8 ◇
 ◇ = A-A / B-B / B-MMAT / G-G / W-W

BOXY L+ LED 93033 DIM8 ◇
 6 251 67 811 932 ED8 ◇
 ◇ = A-A / B-B / B-MMAT / G-G / W-W

BOXY L+ LED 93533 DIM8
 6 251 67 811 952 ED8
 = A-A / B-B / B-MMAT / G-G / W-W



Application

Ceiling surface mounted
 Installation to a standard 4" octagonal box with optional Mud kit installation
 For indoor and exterior use

Color Finish

A - Alu gray
 G - Gray brown
 B - Black
 W - White
 MMAT - Gold matte

Light source

1x Poweredled white 7,1W

Product description

Surface treated aluminum housing
 Electronic power supply included. 120V input, 60Hz - 350 mA current controlled class 2 output. Mains dimmable (10-100% light output)
 Suitable for dry or damp locations
 Suitable for dry and damp locations → IP20
 Weight: 1,3lbs 0,6kg

Required

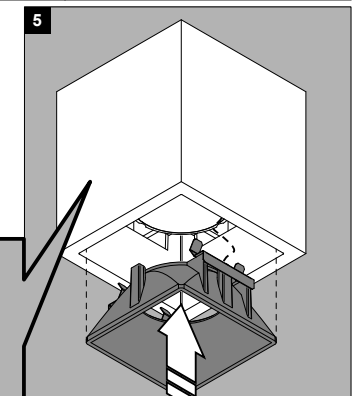
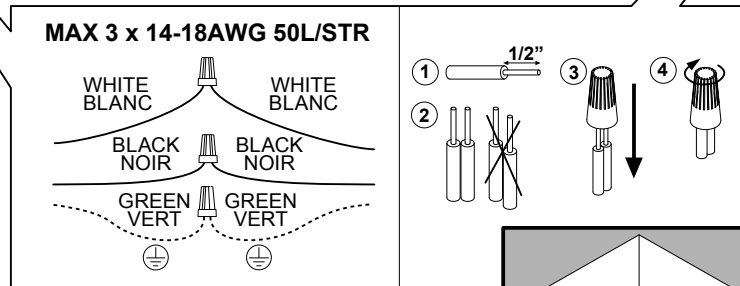
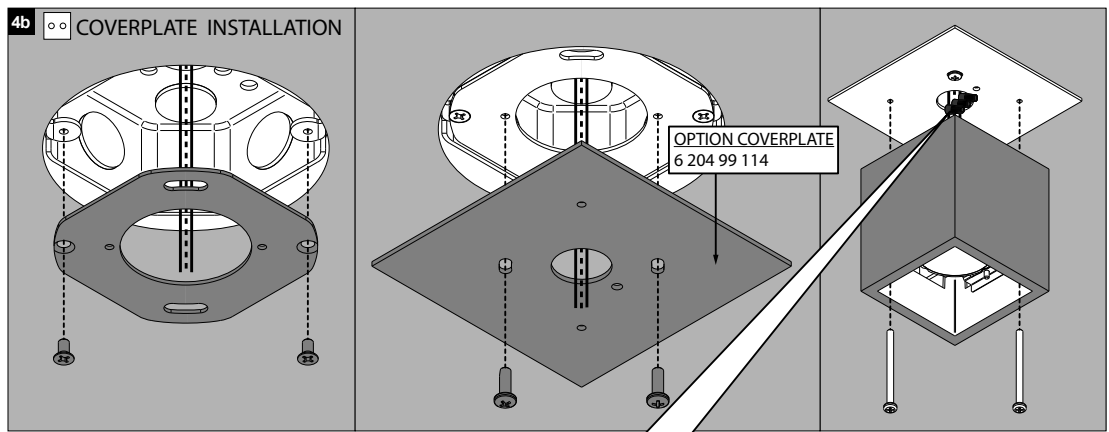
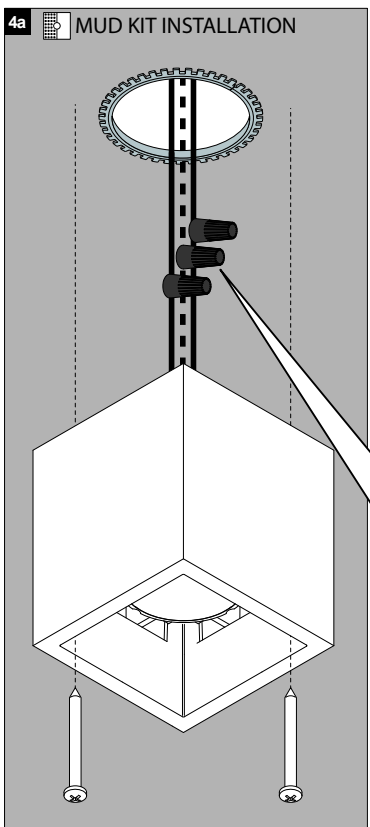
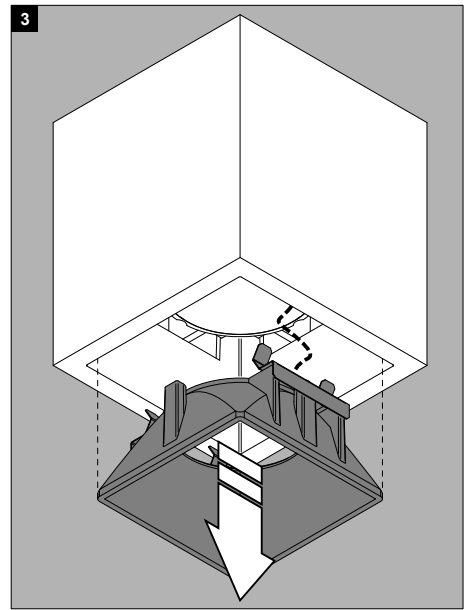
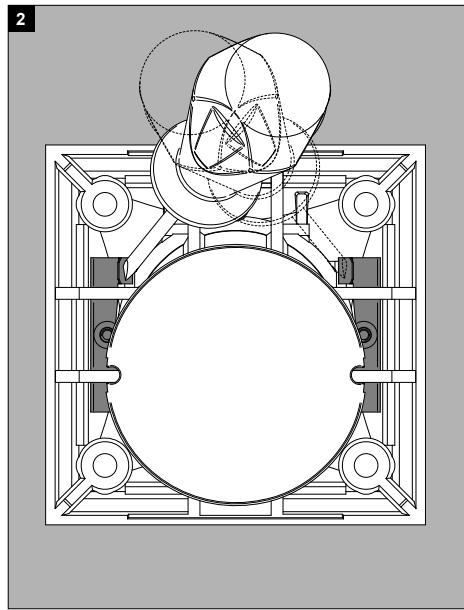
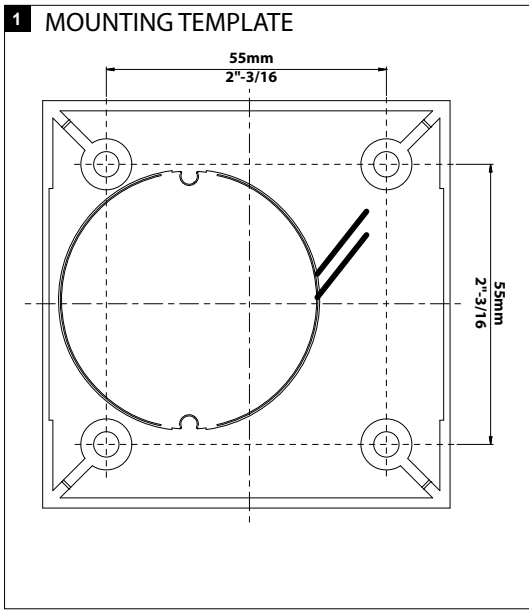
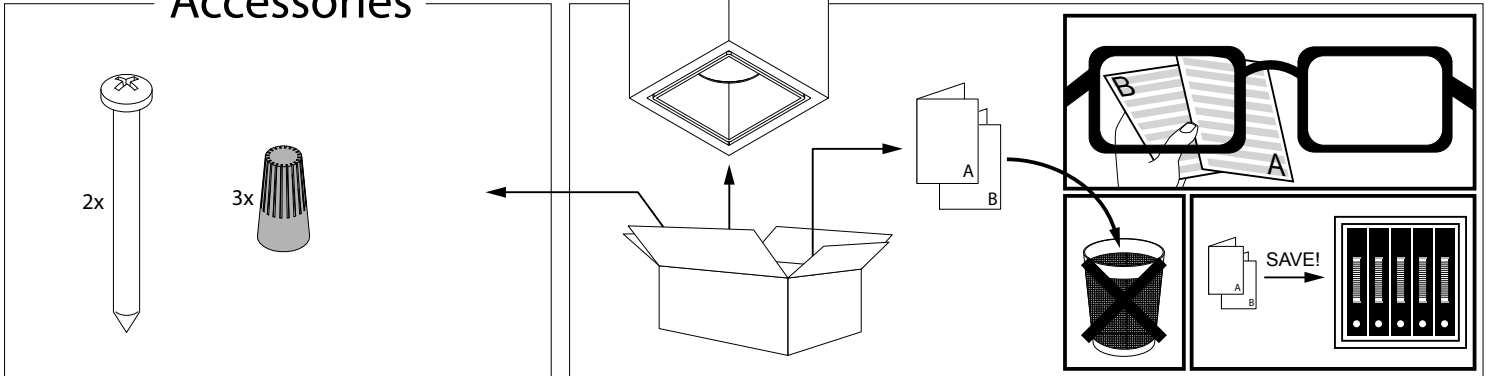
6 207 02 02 MUD KIT 2
 Or
 6 204 99 114 COVERPLATE S114

Accessories not supplied (option)

251 70 03 01 BOXY HONEYCOMB
 251 70 03 04 BOXY SOFTENING LENS
 251 70 03 05 BOXY GLASS SBL

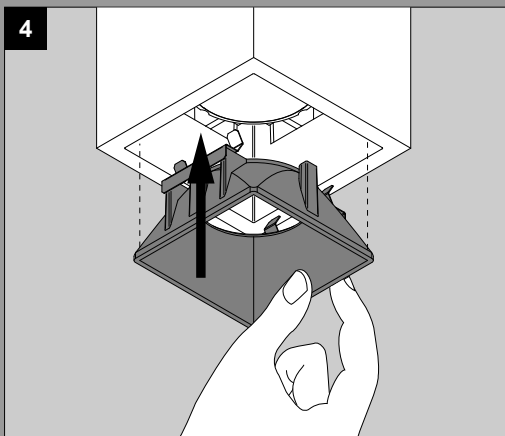
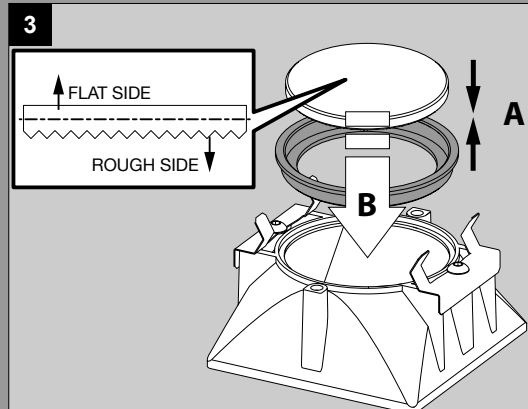
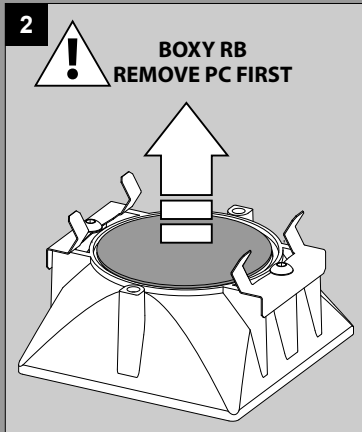
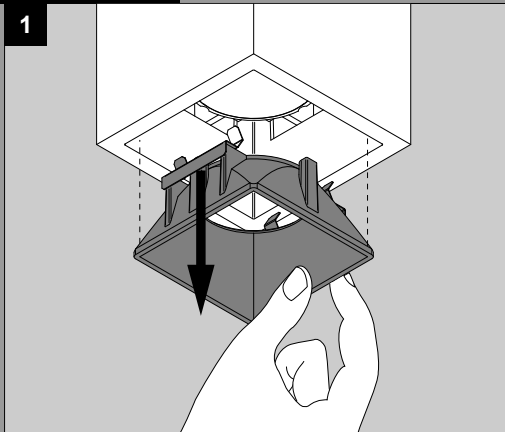
INSTALLATION LUMINAIRE

Accessories

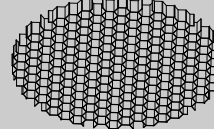


 INSTALLATION LUMINAIRE

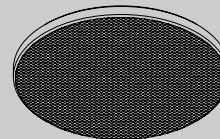
ACCESSORIES



BOXY HONEYCOMB
251 70 03 01



BOXY SOFTENING LENS
251 70 03 04



BOXY GLASS SBL
251 70 03 05

