

NEEDLE 1 TRC OK 92713◇

6 25015 9210◇

◇= BBR / FG

NEEDLE 1 TRC OK 92733◇

6 25015 9220◇

◇= BBR / FG

NEEDLE 1 TRC OK 93013◇

6 25015 9310◇

◇= BBR / FG

NEEDLE 1 TRC OK 93033◇

6 25015 9320◇

◇= BBR / FG

NEEDLE 1 TRC OK 93513◇

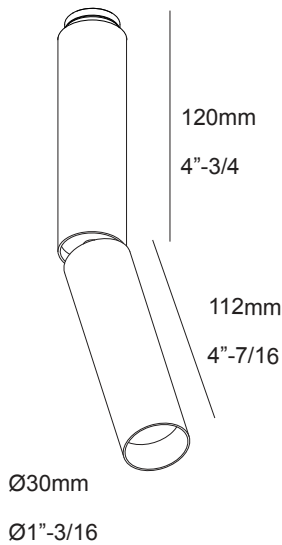
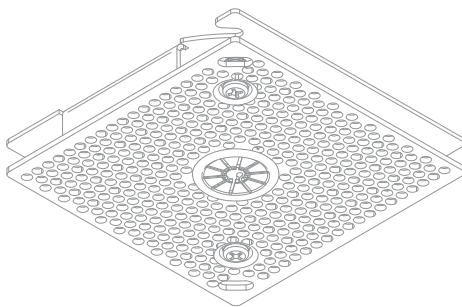
6 25015 9510◇

◇= BBR / FG

NEEDLE 1 TRC OK 93533◇

6 25015 9520◇

◇= BBR / FG



Application

Ceiling surface suspended
Installation to a MUD KIT
For indoor use only

Color Finish

FG - Flemish Gold
BBR - Black Bronze

Light source

1x Poweredled white MAX. 6W

Product description

Powder coated aluminum construction
MAX. 500mA current controlled class 2 output required, remote
Suitable for dry or damp locations
Protected against solid objects greater than 12mm ➡ IP20
Weight: 0,4lbs 0,2kg

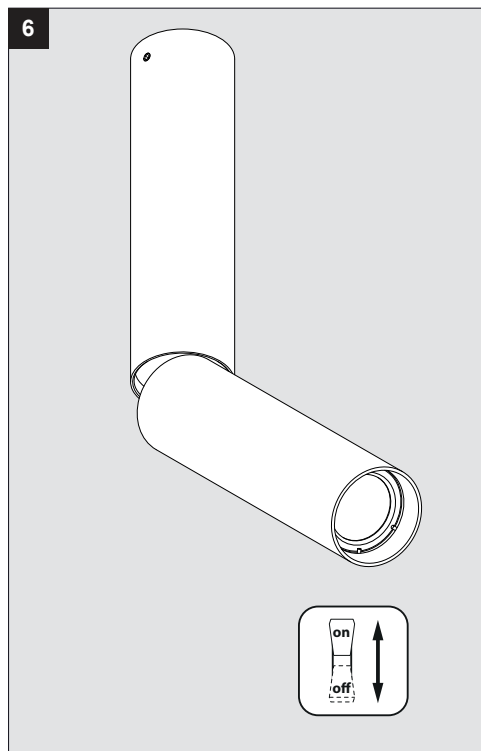
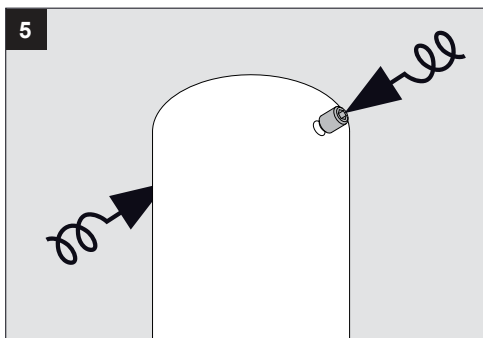
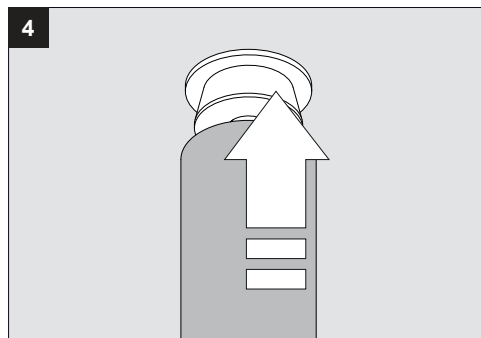
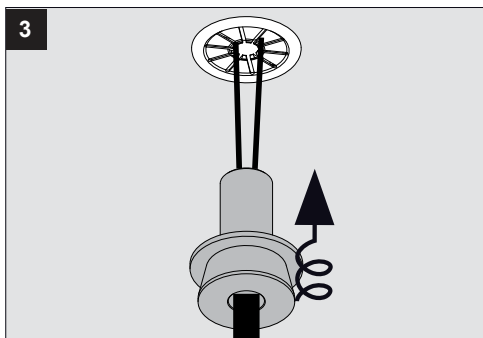
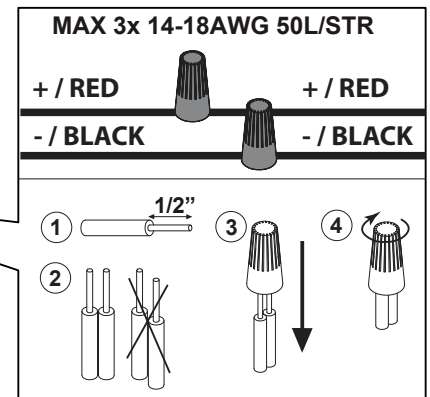
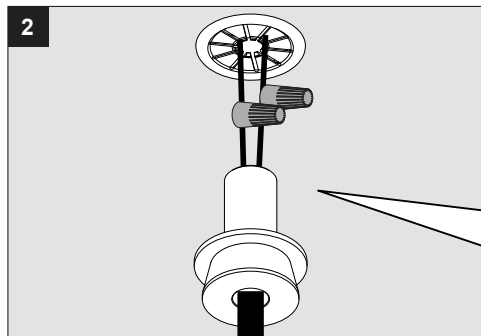
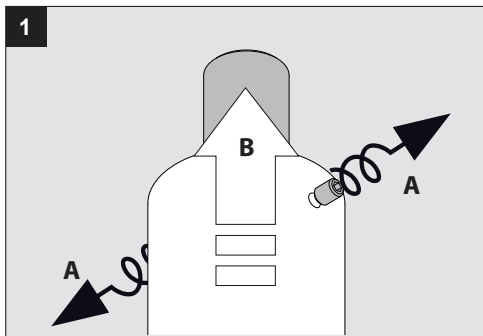
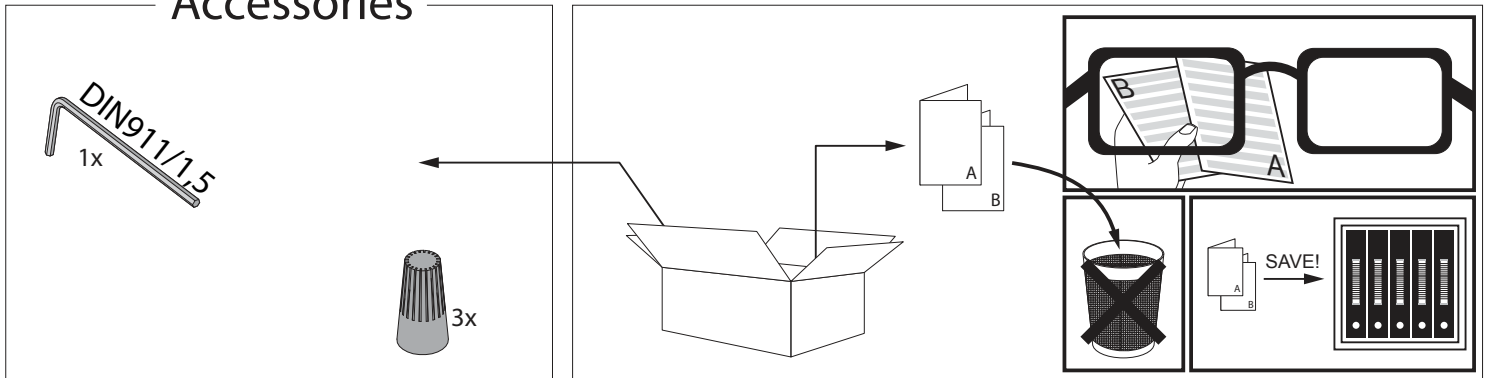
Requirements

MUD KIT 7

6 207 02 07

 INSTALLATION LUMINAIRE

Accessories



De verlichtingsbron van dit verlichtingstoestel zal enkel door de fabrikant of door de fabrikant aangestelde installateur vervangen worden.

La source lumière de cet appareil ne sera remplacée que par l'entreprise ou par un agent reconnu.

Das enthaltene Leuchtmittel sollte nur durch entsprechendes Fachpersonal ersetzt werden.

The light source contained in this luminaire shall only be replaced by the manufacturer or his service agent.

La fuente de iluminación que tiene esta luminaria sólo puede remplazarse por el fabricante o por un instalador autorizado.

La sorgente luminosa incorporata in questo apparecchio può essere sostituita solo dal produttore, da un suo centro assistenza oppure da una persona in possesso della necessaria abilitazione.