

- LASS-OH! L150-2 92734 ◇
- 6 24815 9220 ◇
- ◇= B / GC
- LASS-OH! L150-2 93034 ◇
- 6 24815 9320 ◇
- ◇= B / GC
- LASS-OH! L150-2 93534 ◇
- 6 24815 9520 ◇
- ◇= B / GC



Application

Ceiling surface mounted pendant luminaire
 Installation to a standard j-box with optional coverplate
 For indoor use only

Color Finish

B - BLACK
 GC - GOLD COLORED

Light source

2x DOT.COM S6 MODULES
 Per module, 6x 1W LED

Product description

Powder coated aluminum assembly
 EXCL. 350mA-DC Power supply 34,8V typical voltage
 Class 2 circuits only, current controlled.
 1x Cable 2x18 AWG
 2x Suspension cable 9' long included
 Suitable for damp locations
 Protected against solid objects greater than 12mm ➔ IP20
 Weight: 2,2lbs 1,1kg

Required

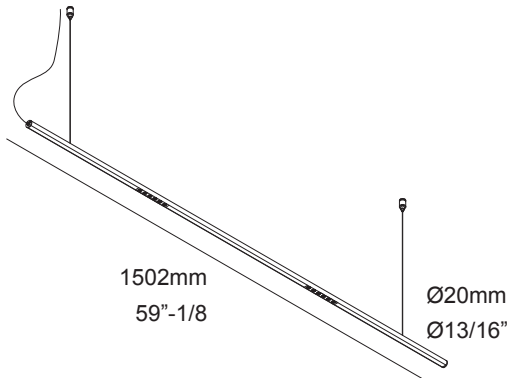
OR	LASS-OH! powerbox 350mA-DC / 13W DIM14	6 24814 00414
OR	LED power supply 350mA-DC / 19W DIM1	6 300 44 ED1
OR	LED power supply 350mA-DC / 19W DIM13	6 300 41 ED13
OR	LED power supply multi-power	6 300 15

Accessories

Jiha! S	24814 0020
Jiha! R	24814 0030

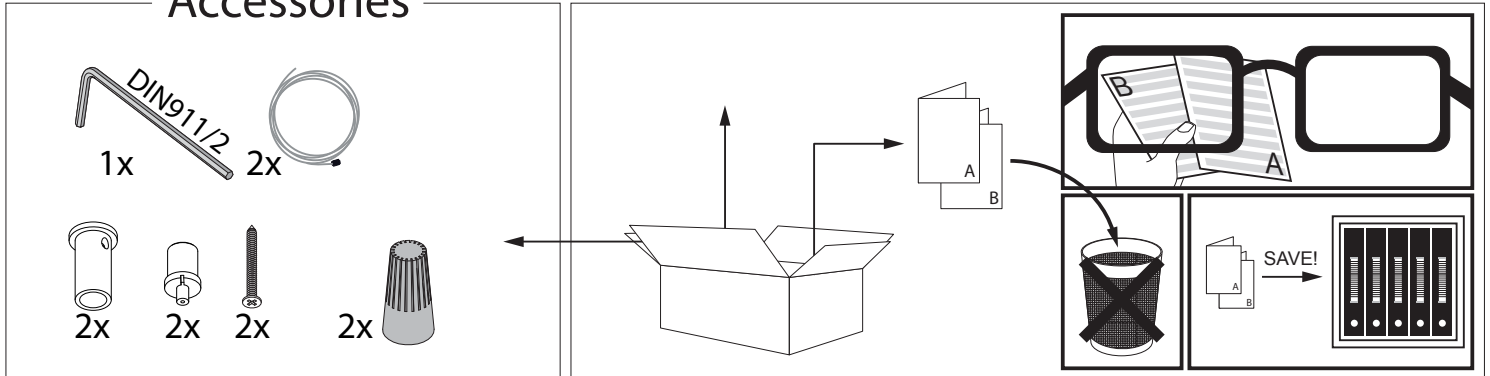
Options

Coverplate R 104	6 204 00 104
Coverplate R 103	6 204 99 103



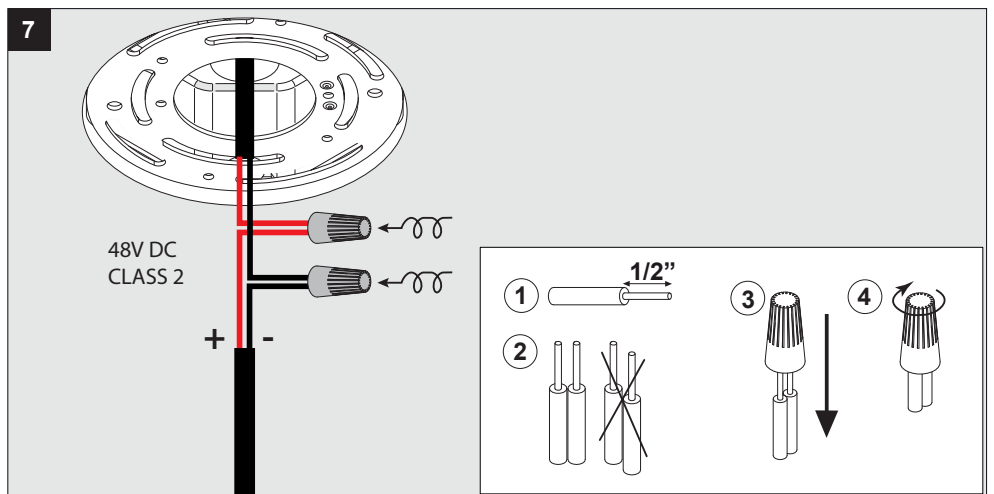
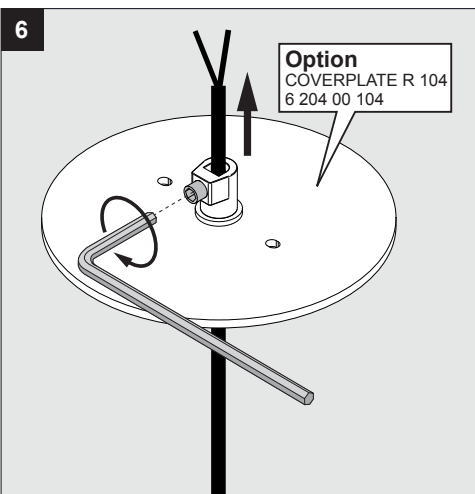
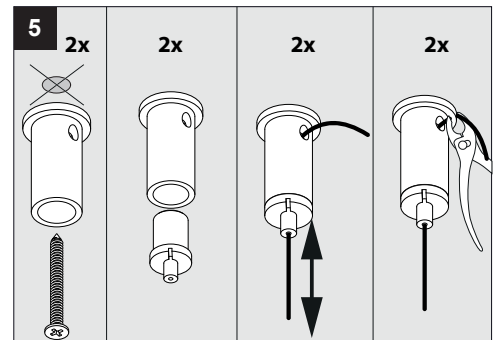
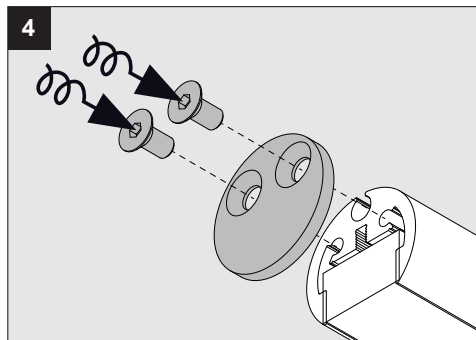
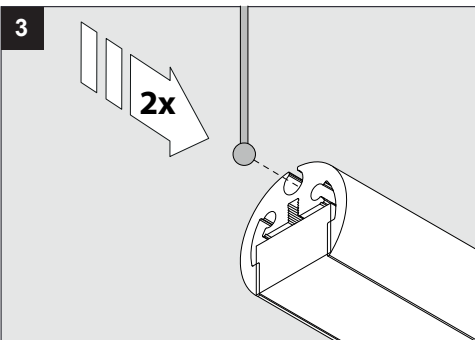
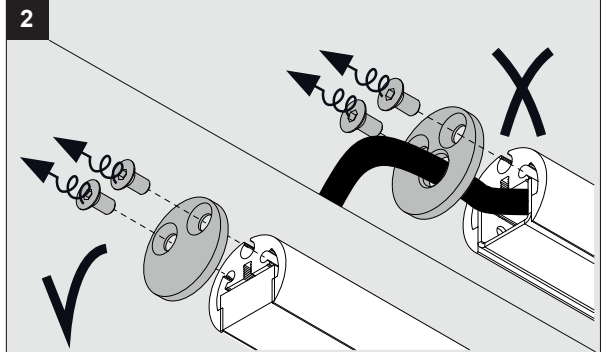
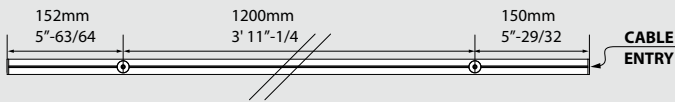
INSTALLATION LUMINAIRE

Accessories



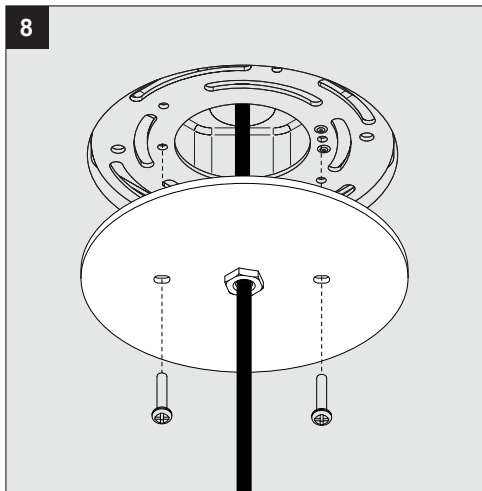
- 1 OPTIONS**
- | | | |
|----------------------------------|----------------------------------|---|
| Coverplate R 104
6 204 00 104 | Coverplate S 103
6 204 99 103 | Lass-oh! powerbox 350mA-DC
6 24814 00414 |
|----------------------------------|----------------------------------|---|

TOP VIEW





INSTALLATION LUMINAIRE



De verlichtingsbron van dit verlichtingstoestel zal enkel door de fabrikant of door de fabrikant aangestelde installateur vervangen worden.

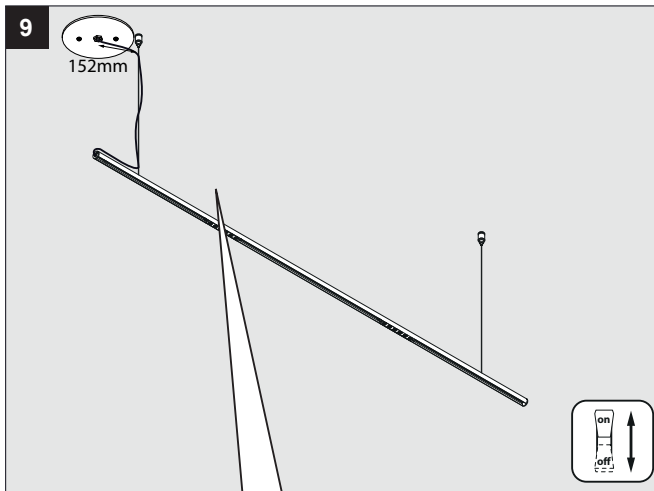
La source lumière de cet appareil ne sera remplacée que par l'entreprise ou par un agent reconnu.

Das enthaltene Leuchtmittel sollte nur durch entsprechendes Fachpersonal ersetzt werden.

The light source contained in this luminaire shall only be replaced by the manufacturer or his service agent.

La fuente de iluminación que tiene esta luminaria sólo puede remplazarse por el fabricante o por un instalador autorizado.

La sorgente luminosa incorporata in questo apparecchio può essere sostituita solo dal produttore, da un suo centro assistenza oppure da una persona in possesso della necessaria abilitazione.



3"
75 mm

3"
75 mm

WARNING!
The weight of the luminaire must be suspended by the steel cables, not by the power cord.

ATTENTION!
Le poids du luminaire doit être suspendu par les cables en acier, le cable électrique ne peut pas suspendre le luminaire.