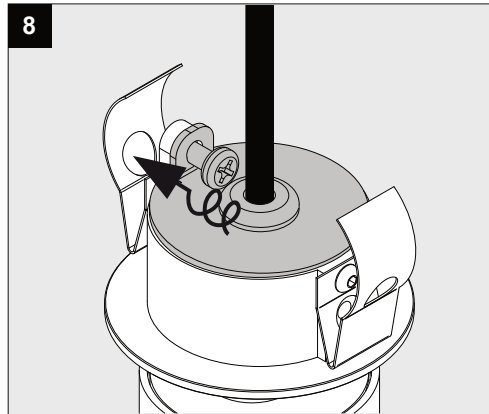
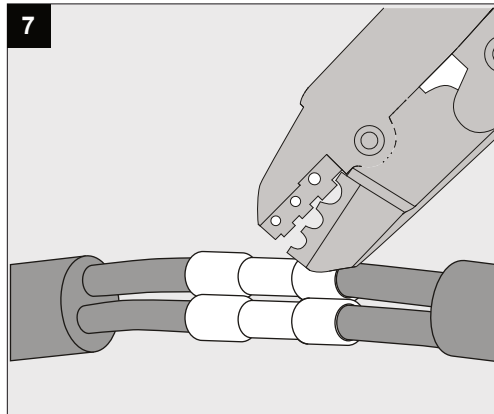
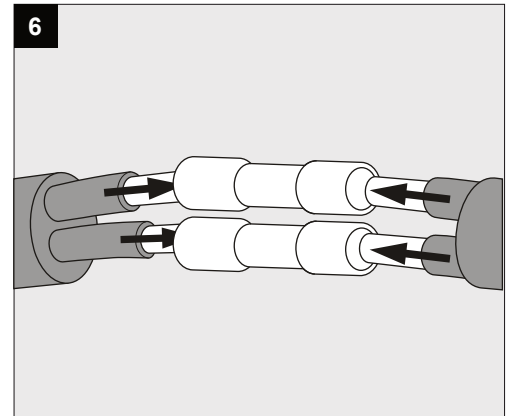
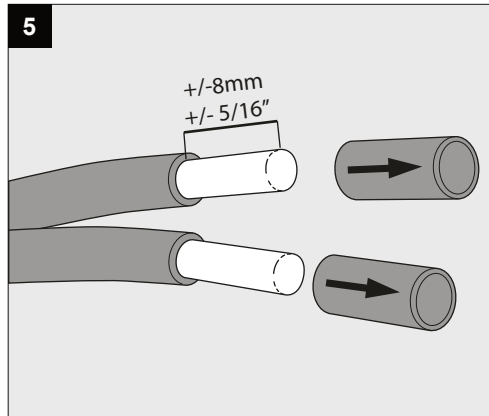
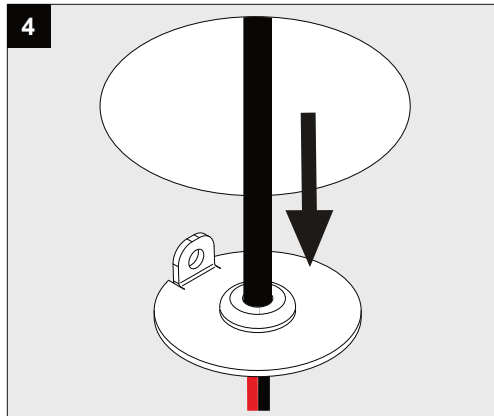
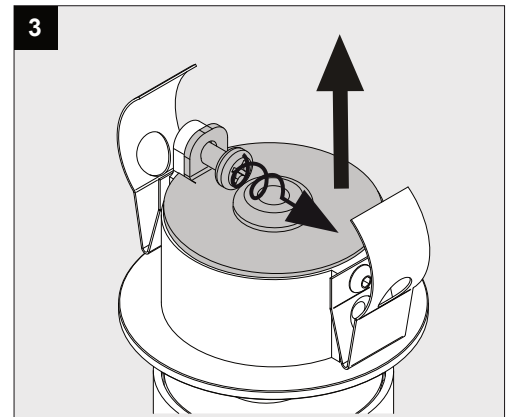
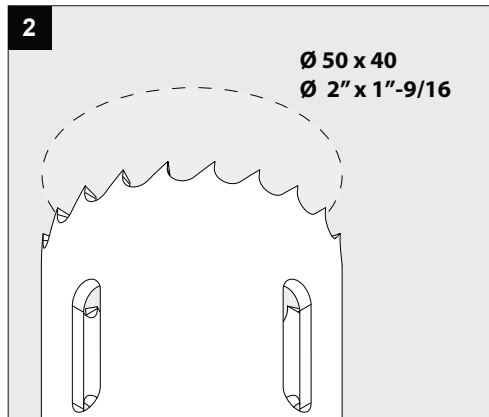
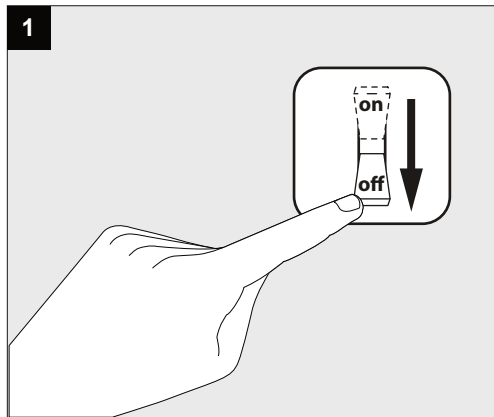
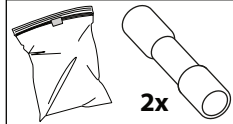
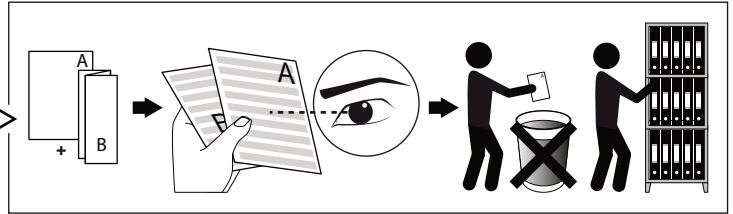
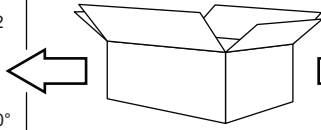


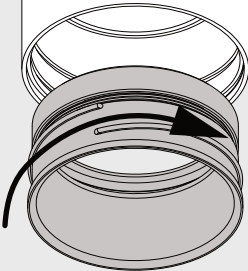
Conforms to ANSI/UL Std. 1598  
Cert. to CAN/CSA Std. 22.2 No. 250.0

# SPY 66 CLIP **A**



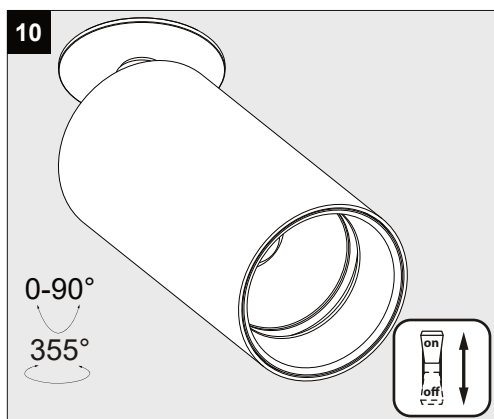
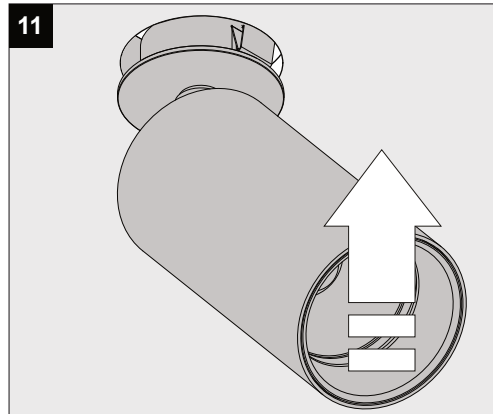


**10**



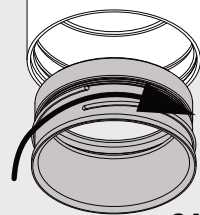
24611 0100

	ACCESSORIES	
	500mA	700mA
/	✓	✓
24611 0150	✓	✓
24611 0160 24611 0170 24611 0190 24611 0200	✓	
24611 0XX0 + 24611 0210	✓	



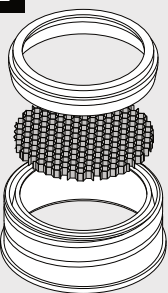
**ACCESSORIES**

**1**



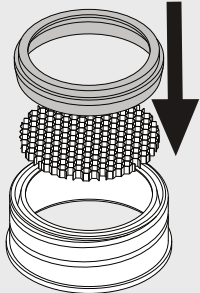
24611 0100

**2**



24611 0150  
24611 0160  
24611 0170  
24611 0190  
24611 0200  
24611 0210

**3**



**4**

