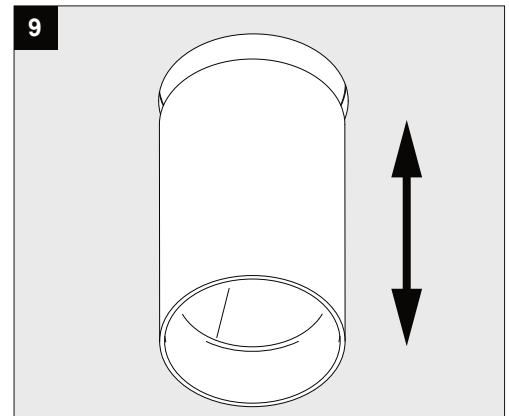
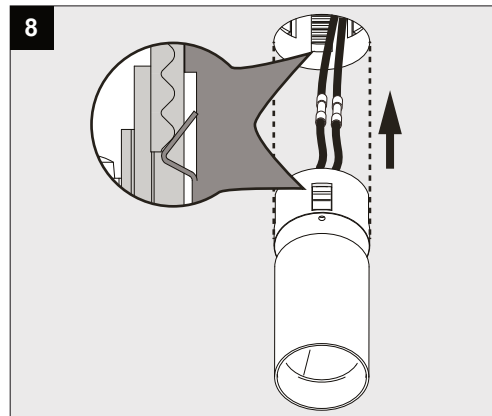
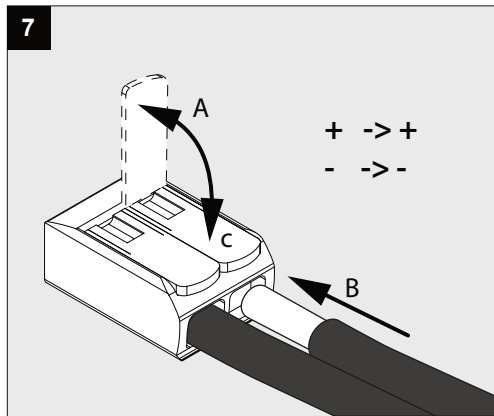
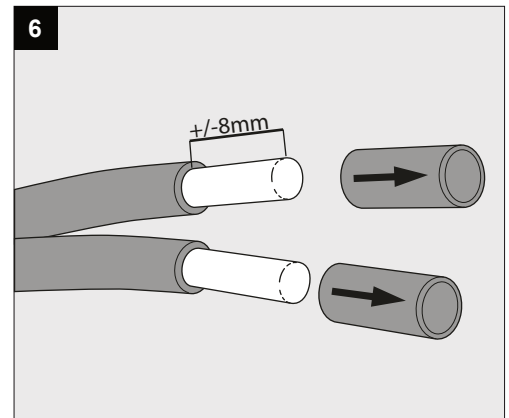
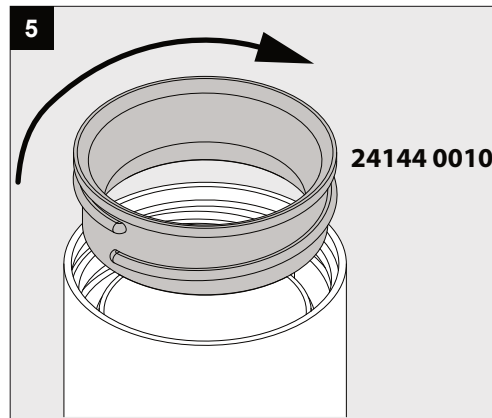
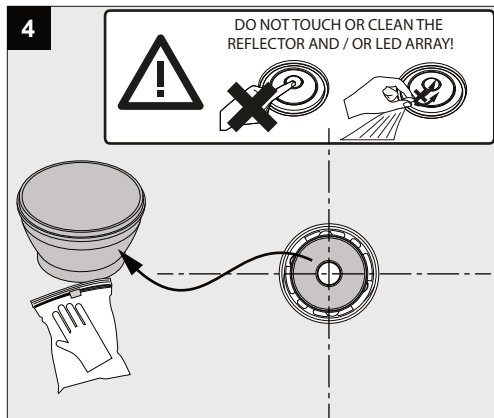
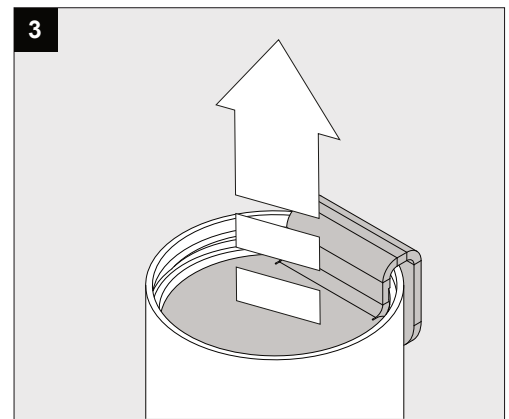
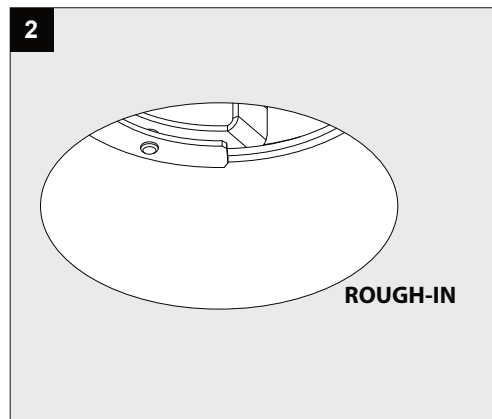
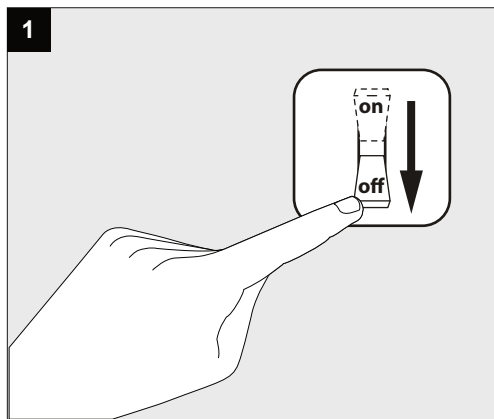
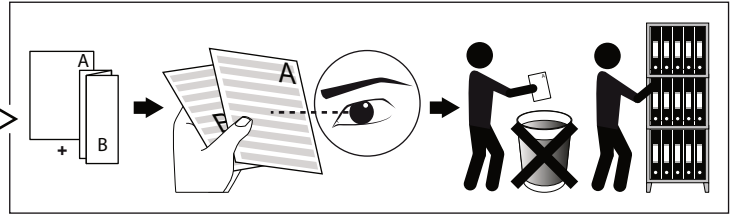
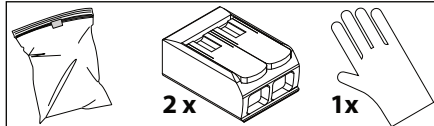
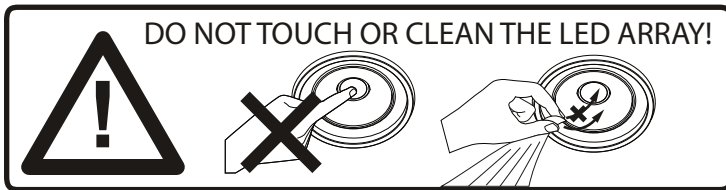
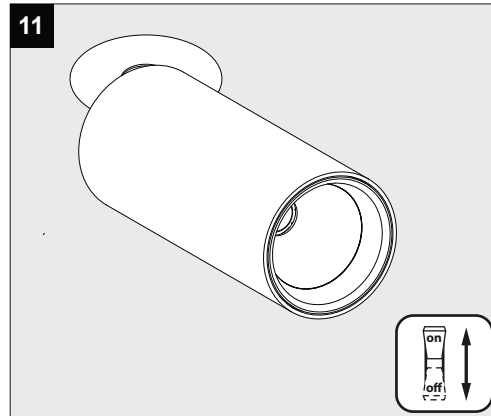
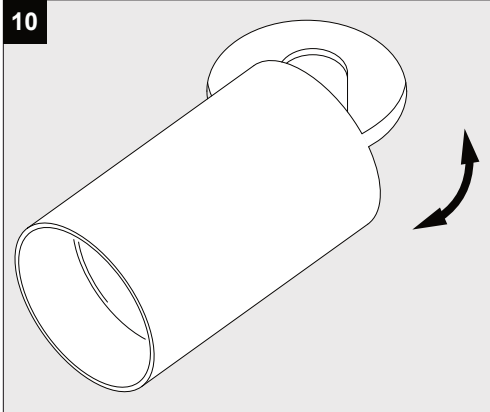


Conforms to ANSI/UL Std. 1598
Cert. to CAN/CSA Std. 22.2 No. 250.0

SPY 39 TRIMLESS IN **A**





- Use only power supplies that are certified according to the applicable IEC or UL safety standards.
- Use only SELV power supplies.
- Check the ratings of the power supply with those of the luminaire.
The maximum current rating must be taken into account.
The indicated typical voltage must not be used to select a constant voltage power supply but is intended to used to select a constant current power supply that is able to cover that typical voltage.
- Take appropriate ESD measures. Avoid touching bare conductors.
- Leds or led luminaires that require a current controlled power supply must never be connected in parallel.
- Leds can be damaged by the contact with certain chemicals or chemical gasses.
Therefore led domes or led engines should never be cleaned with chemical substances.
The following substances have proven to have a negative influence on the performance and must not be used in the direct environment of a led luminaire.
Methyl acetate or ethyl acetate (i.e., nail polish remover)
Cyanoacrylates (i.e., "Superglue")
Glycol ethers (including Radio Shack® Precision Electronics Cleaner - dipropylene glycol monomethyl ether)
Formaldehyde or butadiene (including Ashland PLIOBOND® adhesive)
Dymax 984-LVUF conformal coating
Loctite Sumo Glue
Gorilla Glue
Bleach, Bleach-containing cleaners, sprays
Loctite 384 adhesive
Loctite 7387 activator
Loctite 242 threadlocker
- Remove insulation and/or provide sufficient ventilation so that the indicated max Tc is not surpassed.
- Leds are susceptible to switching transients. Therefore switching must be done in the primary circuit of the power supply.
- DELTA LIGHT recommends to use the power supplies that are indicated in the Lighting Bible.
- Respect polarity
- Don't test LED luminaires one by one on a powersupply that is switched on.