

MONTUR S HW LED ◇

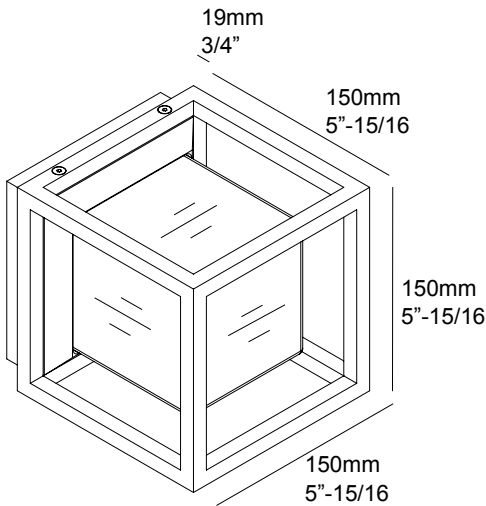
6 232 112 82◇

◇ = B

MONTUR S WW LED ◇

6 232 112 83◇

◇ = B



Application

Wall or ceiling surface mounted luminaire
 Installation to a standard 4" octagonal J-box or EMT/FMC fitting
 For indoor and outdoor use

Color Finish

B - BLACK

Light source

1 X LED CLUSTER 6,3W

Product description

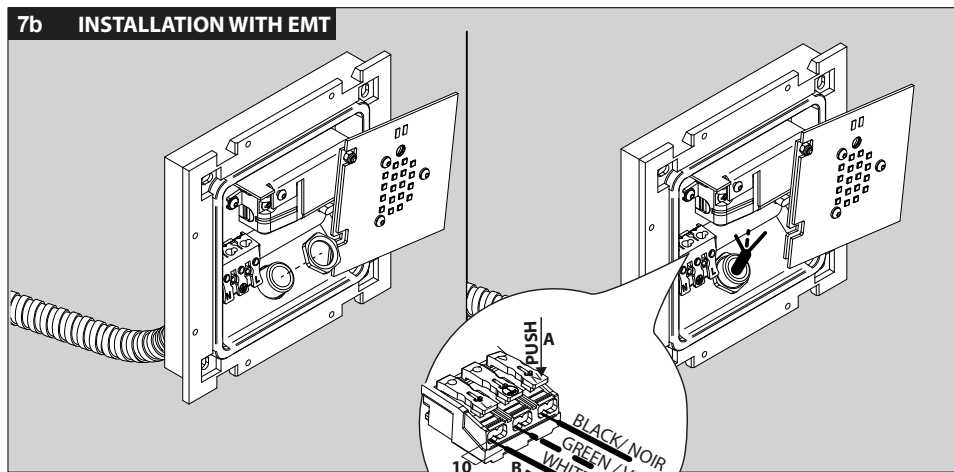
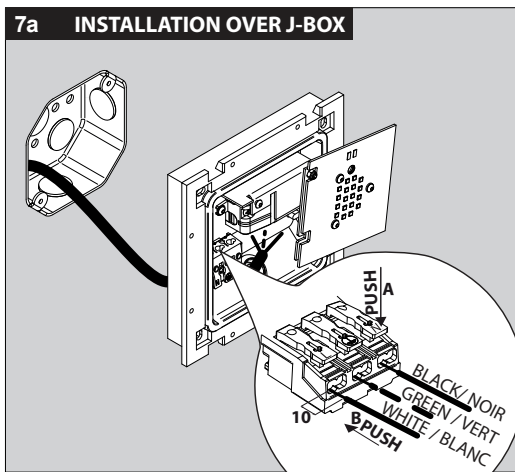
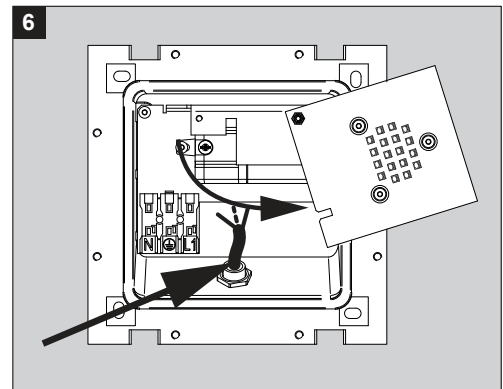
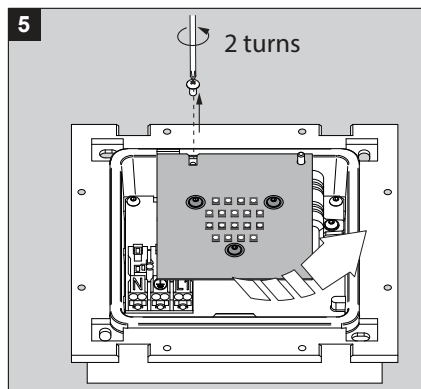
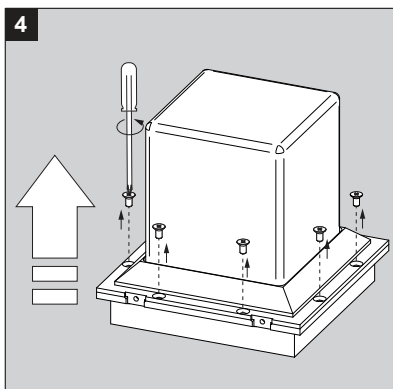
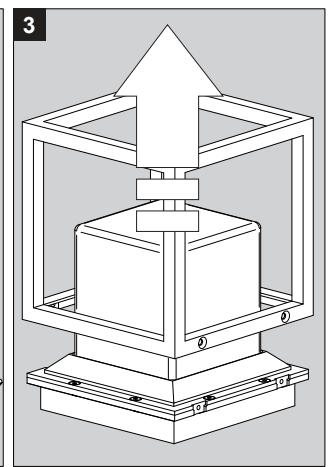
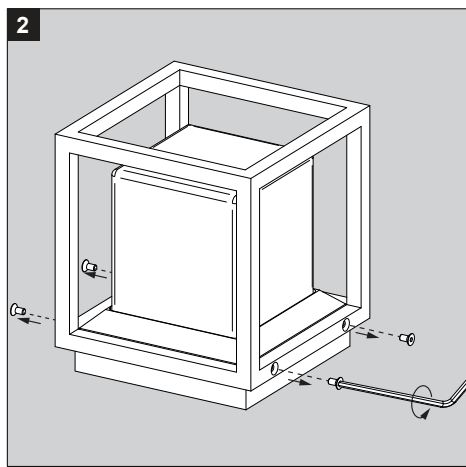
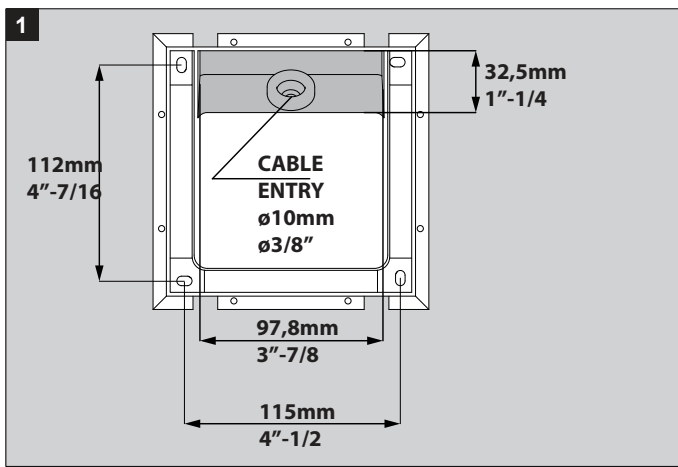
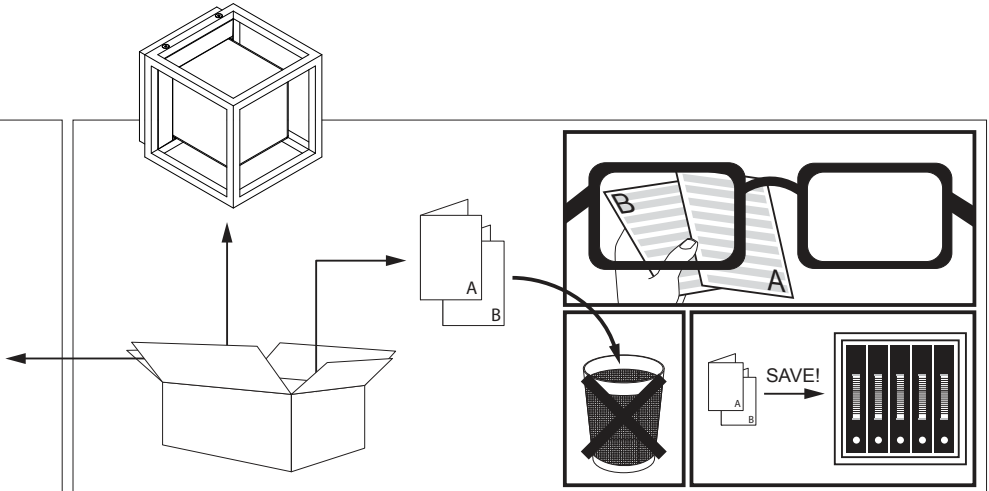
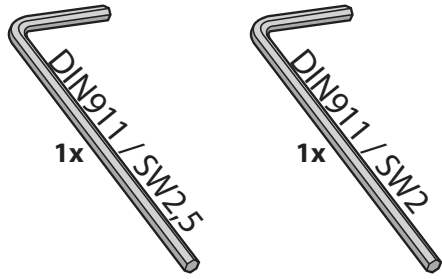
Corrosion protected and powder coated aluminum assembly
 Input voltage: 120V - 60Hz
 Electronic power supply included, 350mA current controlled class 2 output
 1X Glass opal
 Suitable for dry, damp and wet locations
 Protected against waterjets and dust-tight ➔ IP65
 Weight: 4,4lbs 2,0kg

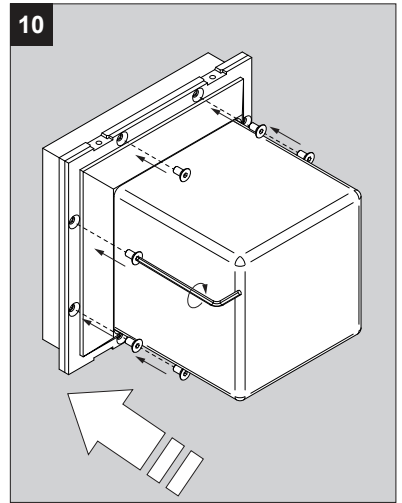
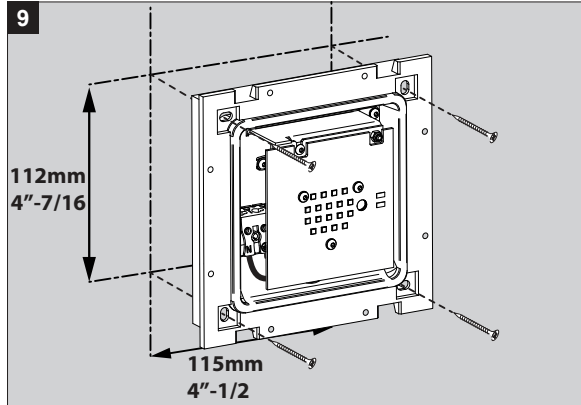
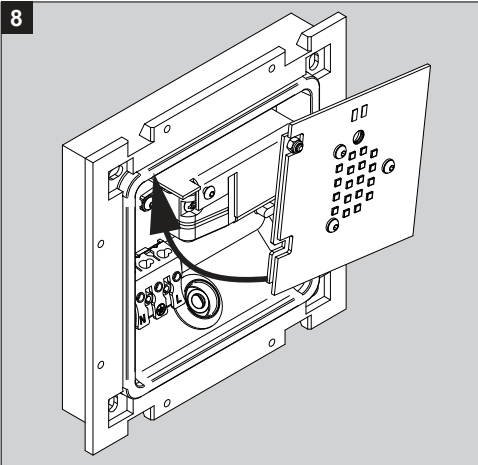
Dimensions

Height: 169mm / 6"-5/8
 Diameter: 150 x 150mm / 5"-15/16 x 5"-15/16

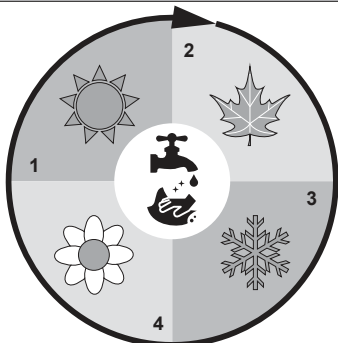
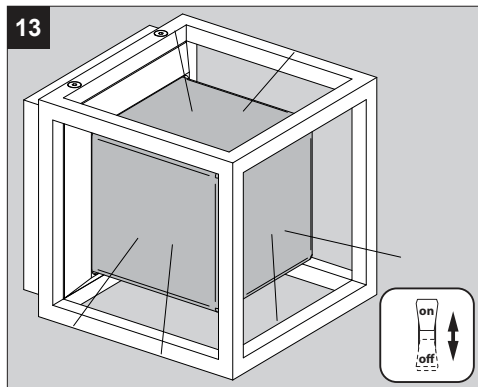
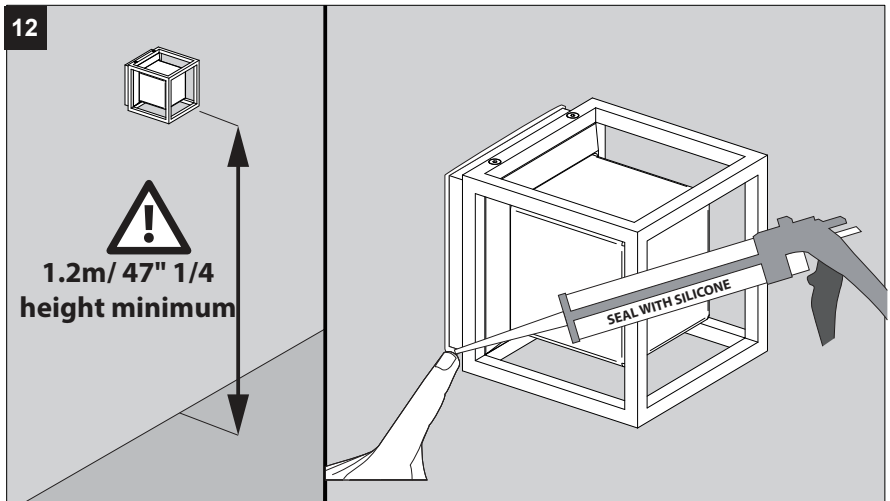
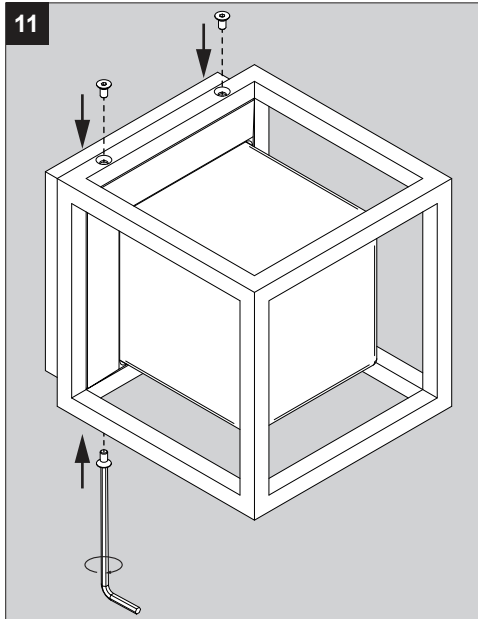
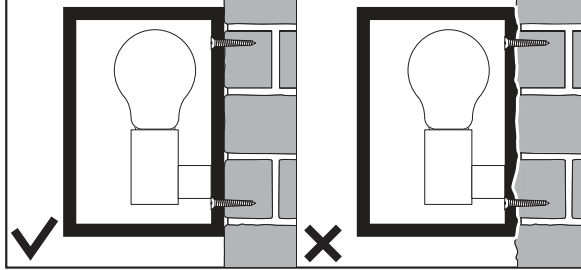
INSTALLATION LUMINAIRE

Accessories





CAUTION! DO NOT PERFORM THE PROTECTIVE COATING



CAUTION! CLEAN AT LEAST QUATERLY WITH WATER AND NON-ABRASIVE CLOTH