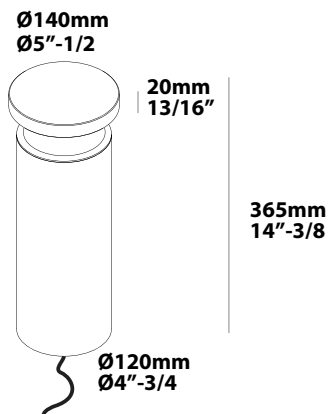


BAZIL 123

6 222 123 12 ◇

◇ = A-ANO / N-ANO / N-GOLD



Application

Floor surface mounted
For indoor & outdoor use

Color Finish

A-ANO - Alu gray / Alu anodized
N-ANO - Dark grey / Alu anodized
N-GOLD - Dark grey / Gold

Light source

1 x LED CLUSTER 15W

Product description

Powder coated corrosion protected aluminum construction
Electronic power supply included. 120-277V / 60Hz input, 700mA current controlled class 2 output.
5' SJ00W cable included
Suitable for wet locations
Dust-protected - Protected against water jets → IP55
BAZIL 123 Weight: 8.1lbs 3,7kg
BAZIL 126 Weight: 10.3lbs 4,7kg
BAZIL 127 Weight: 10.8lbs 4,9kg

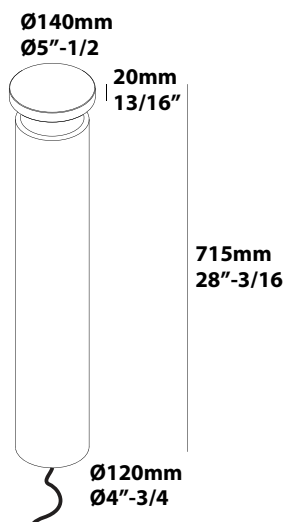
Accessories not supplied (Option)

6 216 12 00 JUNCTION BOX
229 01 03 PIN 3
6 216 12 02 IP68 CONNECTOR 3P

BAZIL 126

6 222 126 12 ◇

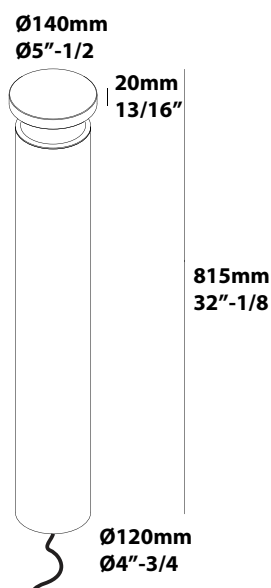
◇ = A-ANO / N-ANO / N-GOLD



BAZIL 127

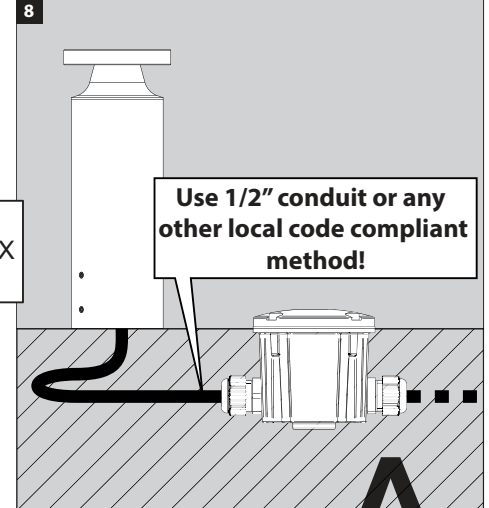
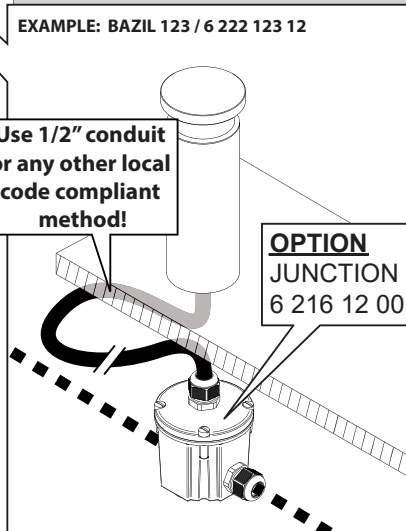
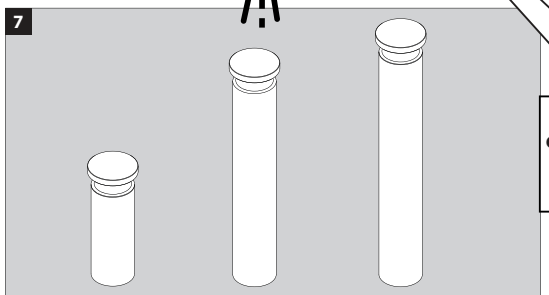
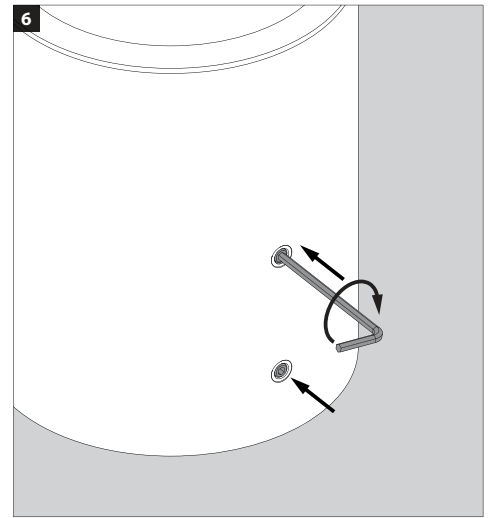
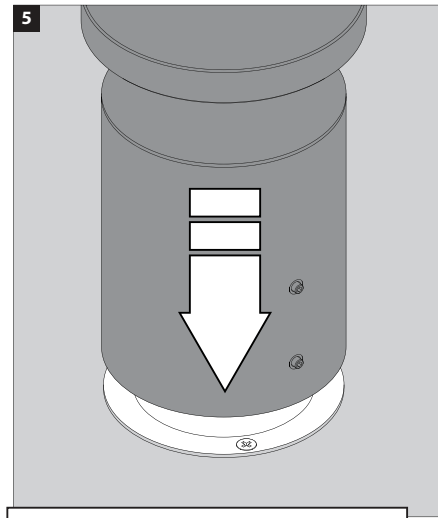
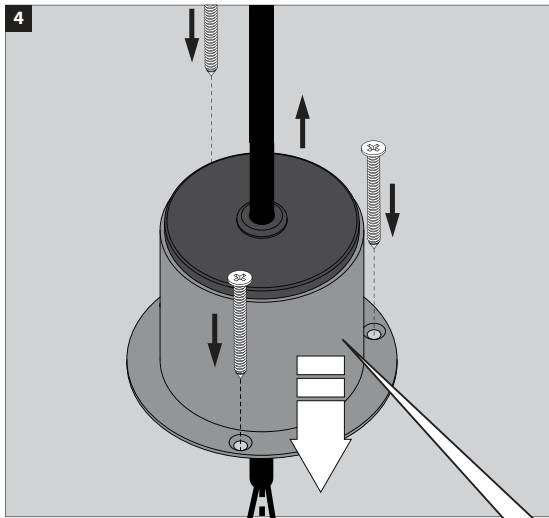
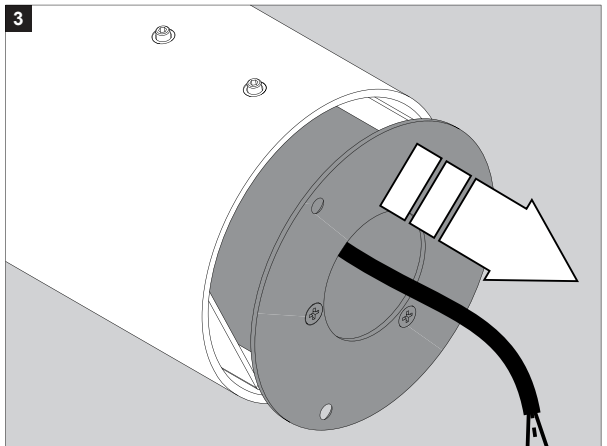
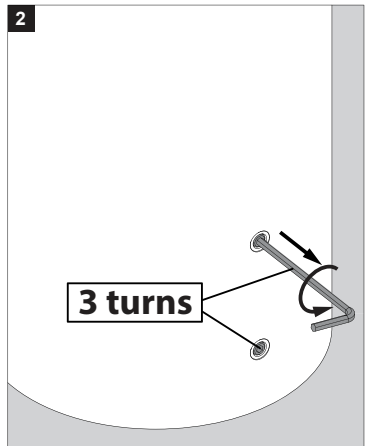
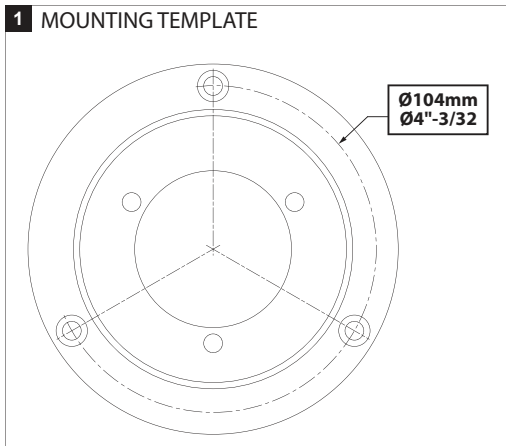
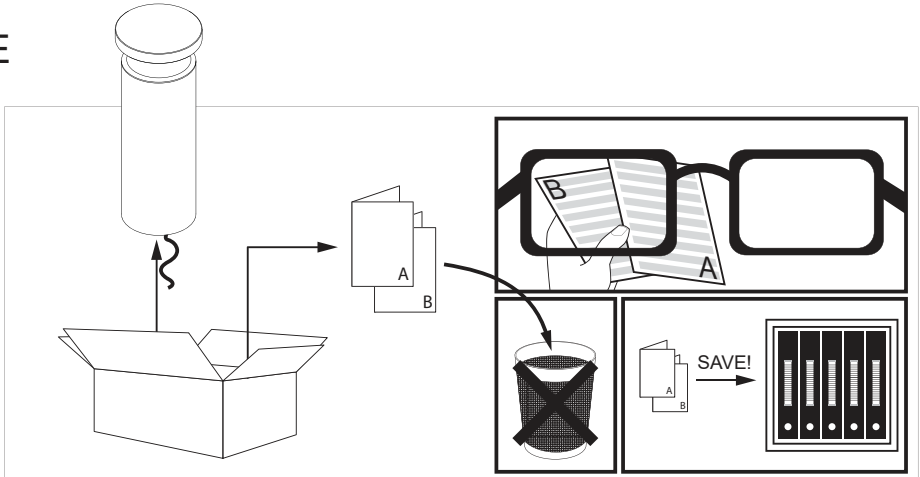
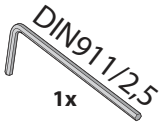
6 222 127 12 ◇

◇ = A-ANO / N-ANO / N-GOLD



 **INSTALLATION LUMINAIRE**

Accessories



CAUTION!
THIS PRODUCT MUST BE INSTALLED IN ACCORDANCE WITH THE APPLICABLE LOCAL INSTALLATION CODE.

ATTENTION!
CE PRODUIT DOIT ÊTRE INSTALLÉ SELON LE CODE D'INSTALLATION PERTINENT.