

- LOGIC R2 A 93011 ◇
6 213 482 811 931 ◇
◇ = ANO / B
- LOGIC R2 A 93030 ◇
6 213 482 811 932 ◇
◇ = ANO / B
- LOGIC R2 A 93055 ◇
6 213 482 811 933 ◇
◇ = ANO / B
- LOGIC R2 A 93511 ◇
6 213 482 811 951 ◇
◇ = ANO / B
- LOGIC R2 A 93530 ◇
6 213 482 811 952 ◇
◇ = ANO / B
- LOGIC R2 A 93555 ◇
6 213 482 811 953 ◇
◇ = ANO / B



Application
Floor recessed
For indoor & outdoor use

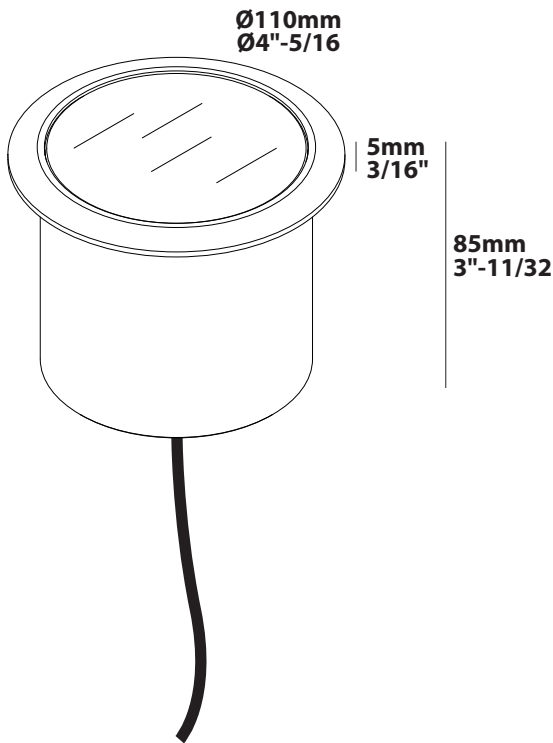
Color Finish
ANO - Alu anodized

Light source
1 x POWERLED WHITE 7,1W

Product description
Anodised aluminum housing with hardened glass cover
For 350mA-DC current controlled, class 2 power limited circuits only.
Typical forward voltage 20,2V. Do not interconnect in parallel!
Anti-wicking cable 2x20 AWG included
Suitable for dry, damp or wet locations, floor recessed
Dust-tight - Protected against the effects of temporarily immersion ➔ IP67
Weight: 1,3lbs 0,6kg

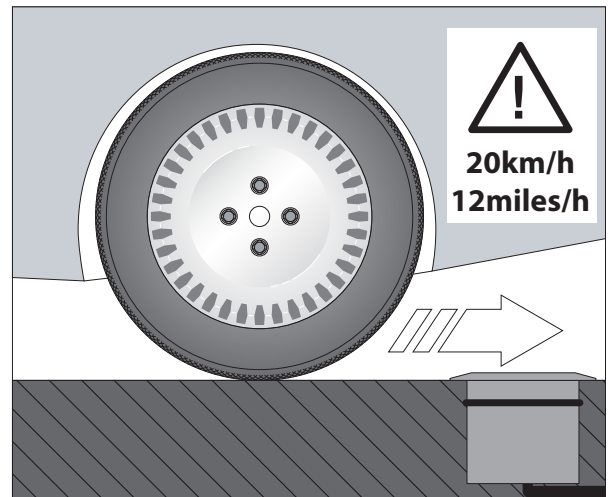
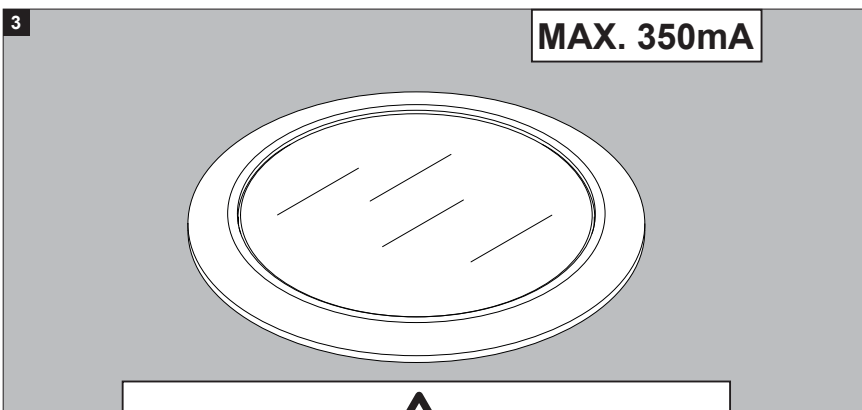
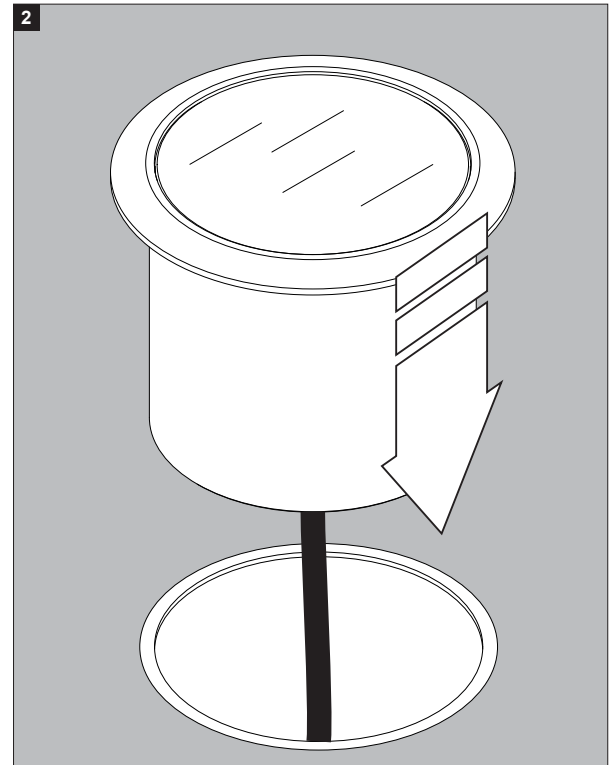
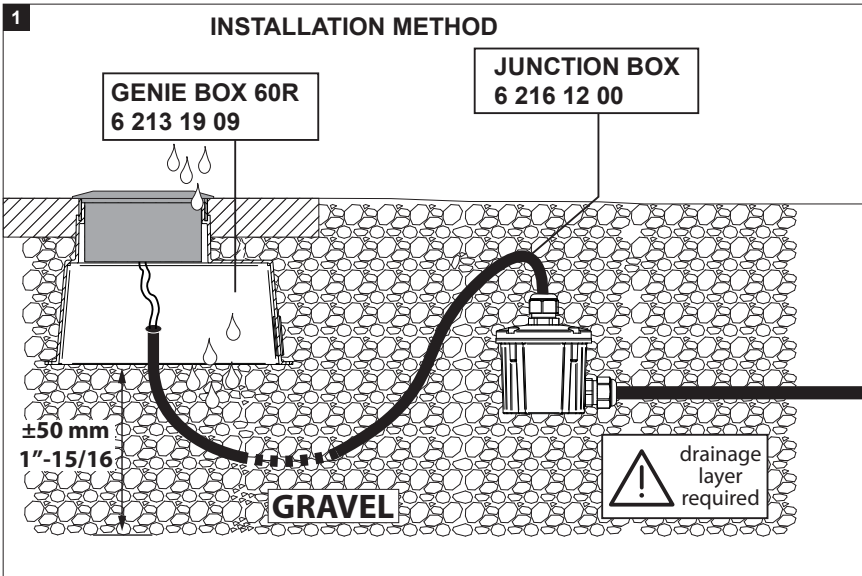
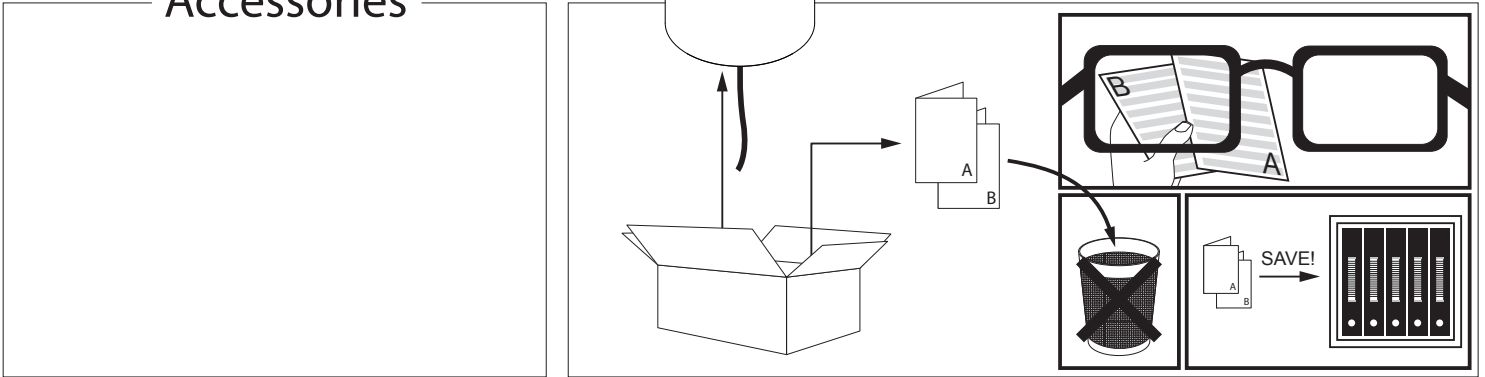
Accessories not supplied (required)
6 213 19 09 GENIE BOX 90 R

Options (not supplied)
6 216 12 00 JUNCTION BOX
6 216 12 02 IP68 CONNECTOR 3P



 **INSTALLATION LUMINAIRE**

Accessories





LUMINAIRE MUST BE INSTALLED BY A QUALIFIED ELECTRICIAN. CHECK WITH LOCAL AND NATIONAL CODES FOR PROPER INSTALLATION. TO PREVENT ELECTRICAL SHOCK, DISCONNECT ELECTRICAL SUPPLY BEFORE INSTALLATION OR SERVICING

! WARNING

ANY CLAIM TO A WARRANTY SHALL BECOME NULL AND VOID IF THE DEVICE IS NOT INSTALLED WITH THE SUITABLE BOX (OPTIONAL) PROVIDED BY DELTALIGHT N.V.