

- TWEETER ST D 92733 S1◇
- 6 206 11 811 922◇
- ◇ = W-W
- TWEETER ST D 92750 S1◇
- 6 206 11 811 923◇
- ◇ = W-W
- TWEETER ST D 93033 S1◇
- 6 206 11 811 932◇
- ◇ = W-W
- TWEETER ST D 93050 S1◇
- 6 206 11 811 933◇
- ◇ = W-W
- TWEETER ST D 93533 S1◇
- 6 206 11 811 952◇
- ◇ = W-W
- TWEETER ST D 93550 S1◇
- 6 206 11 811 953◇
- ◇ = W-W



**Application**

Finishing section to be used with DELTA LIGHT® rough-in requirements

**Ceiling Thickness**

For 5/8" ceiling standard up to 7/8"

**Color Finish**

W-W = White-White

**Light Source**

One 10,4 - 15W LED module included

**Delivered Lumens**

- 1109lm at 3550K<sup>(1)</sup>
- 1109lm at 3500K<sup>(1)</sup>
- 1075lm at 3000K<sup>(1)</sup>
- 1075lm at 3050K<sup>(1)</sup>
- 1032lm at 2750K<sup>(1)</sup>
- 1032lm at 2700K<sup>(1)</sup>

**Power Supply**

Current controlled class 2 power supply required. (included in rough-in housing)  
Max 700mA, typical forward voltage 21,4V. Do not interconnect in parallel!

**Connector**

Rough-in and trim connection through pre-installed snap-in connector

**Specification features**

- Body fabricated of surface treated aluminum
- Pre-installed springs for easy installation
- Suitable for dry and damp locations

**Dimensions**

- Height: 114 mm = 4"- 1/2
- Diameter: Ø168 mm = 6"- 5/8
- Ceiling Cut out: Ø 153 mm = 6" (KIT)

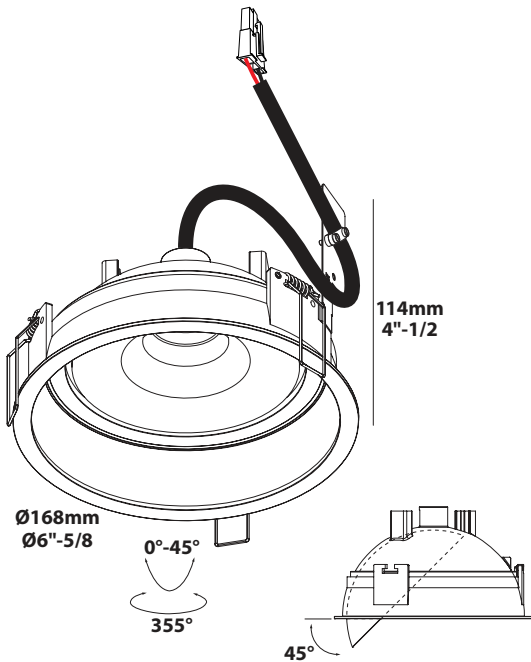
**PROJECT INFO**

Date \_\_\_\_\_

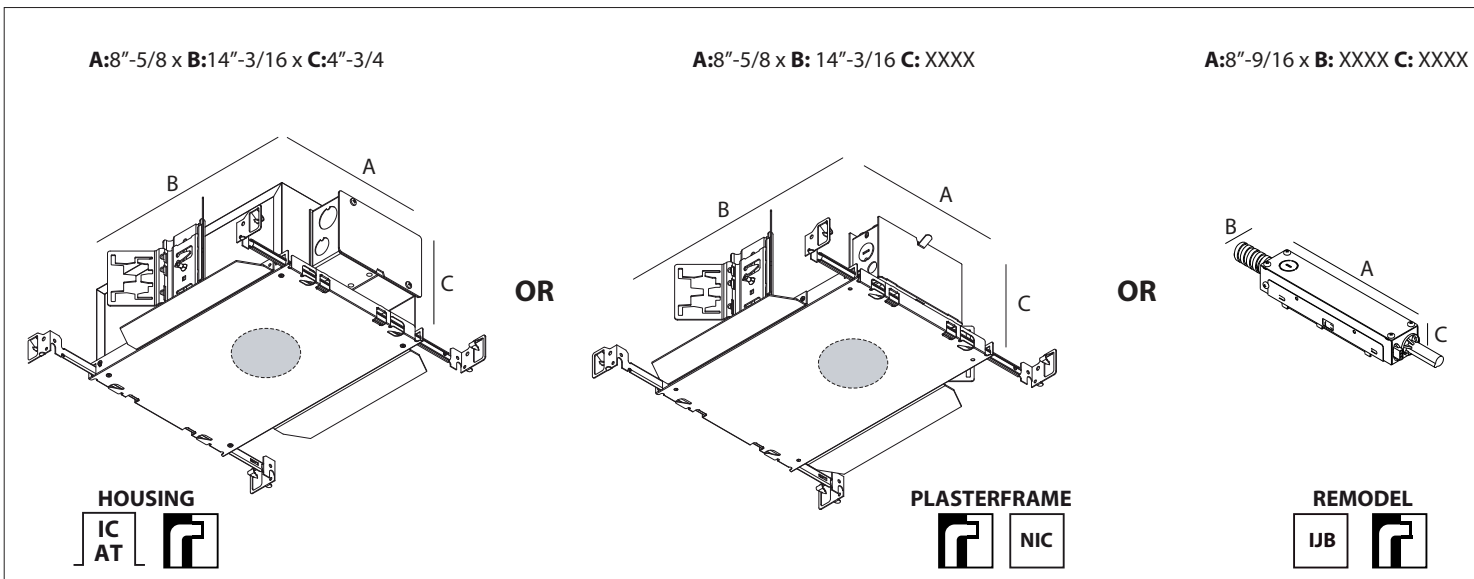
Client \_\_\_\_\_

Project Name \_\_\_\_\_

Type/Quantity \_\_\_\_\_



**ROUGH-IN REQUIREMENTS**



**Required options**

New construction

Housing for IC and/or airtight applications

Range	Installation type	Power/Dimming		Voltage 1 - 120V 2 - 277V 3 - 120-277V	Mounting Option 0 - No bar hangers 1 - Bar hangers standard
6	202	7 - IC AT Housing S	43 - 10,4W 1-10V dimmable	43	3 - 120-277V
6	202	7 - IC AT Housing S	62 - 10,4W Mains dimmable ( ELV )	43	1 - 120V
6	202	7 - IC AT Housing S	72 - 10,4W Lutron Ecosystem dimmable	43	3 - 120-277V

New construction

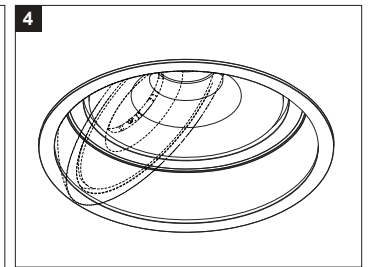
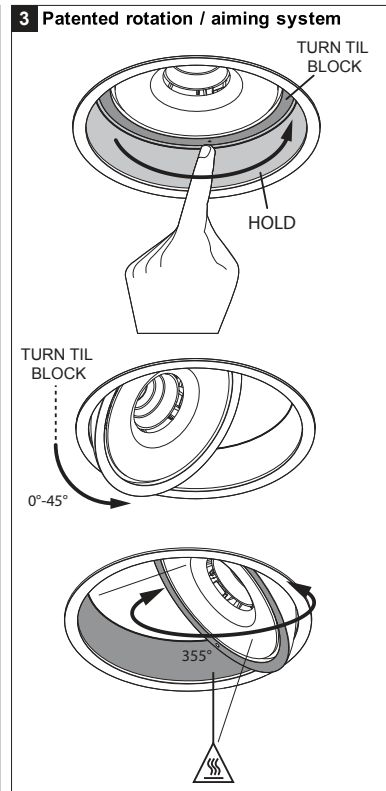
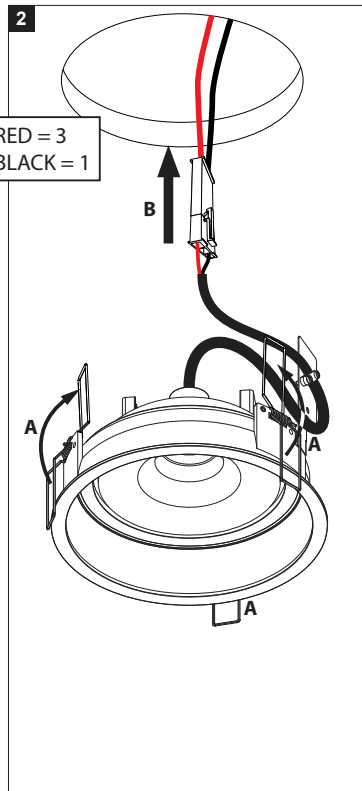
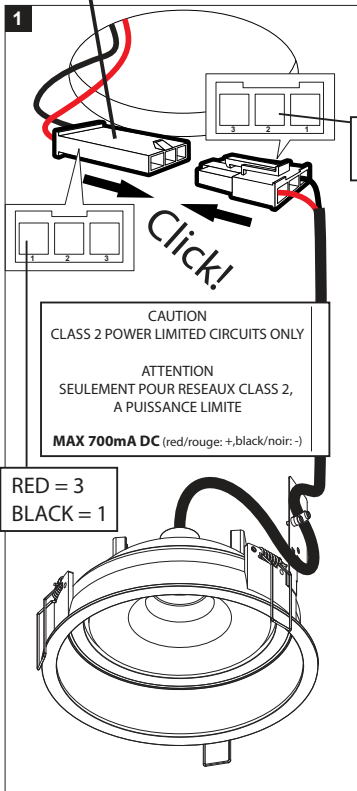
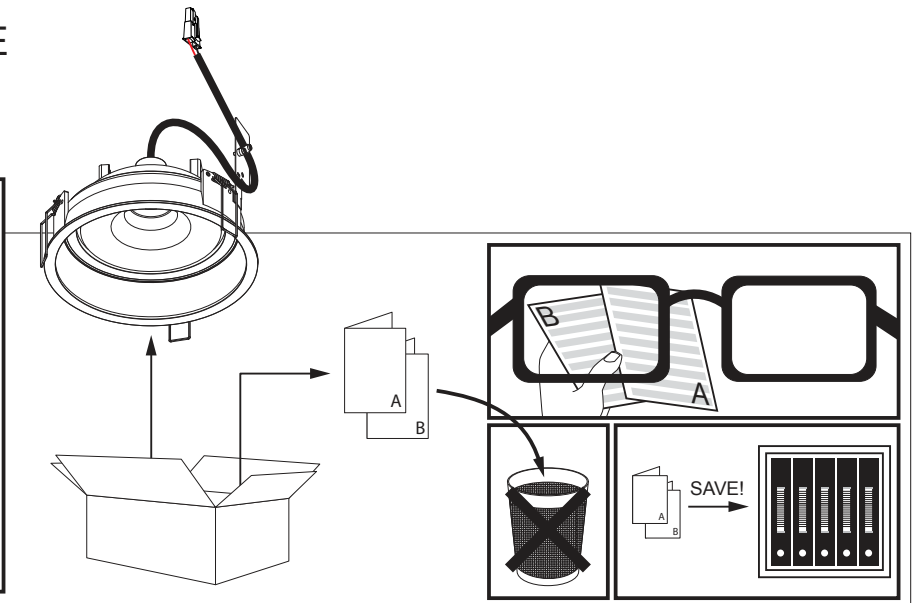
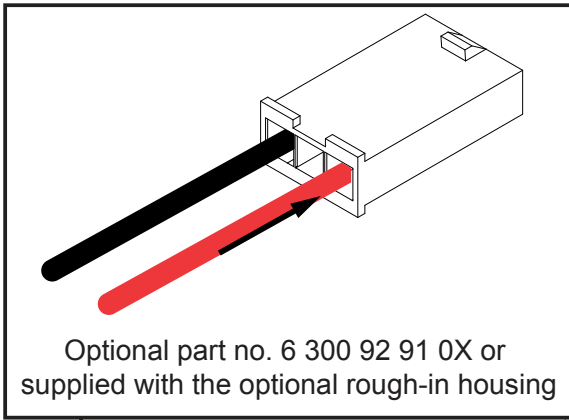
Plasterframe for NON-IC applications

Range	Installation type	Power/Dimming		Voltage 1 - 120V 2 - 277V 3 - 120-277V	Mounting Option 0 - No bar hangers 1 - Bar hangers standard
6	202	01 - NIC Plasterframe S	43 - 10,4W 1-10V dimmable	43	1 - 120V
6	202	01 - NIC Plasterframe S	43 - 10,4W 1-10V dimmable	43	2 - 277V
6	202	01 - NIC Plasterframe S	62 - 10,4W Mains dimmable ( ELV )	43	1 - 120V
6	202	01 - NIC Plasterframe S	72 - 10,4W Lutron Ecosystem dimmable	43	1 - 120V
6	202	01 - NIC Plasterframe S	72 - 10,4W Lutron Ecosystem dimmable	43	2 - 277V

Remodel IJB (2 needed / fixture)

Range	Installation type	Power/Dimming		Voltage 1 - 120V 2 - 277V 3 - 120-277V	Spacings 1- Standard spacings 1- Marked spacings
6	202	9 - NIC-IC IJB	19 - 10,4W mains dimmable (LE)	1 - 120V	1- Standard spacings
6	202	9 - NIC-IC IJB	20 - 10,4W 0-10V dimmable	1 - 120V	1- Standard spacings
6	202	9 - NIC-IC IJB	20 - 10,4W 0-10V dimmable	2 - 277V	1- Standard spacings
6	202	9 - NIC-IC IJB	21 - 15W mains dimmable (LE)	1 - 120V	1- Marked spacings
6	202	9 - NIC-IC IJB	69 - 15W 0-10V dimmable	1 - 120V	1- Marked spacings
6	202	9 - NIC-IC IJB	69 - 15W 0-10V dimmable	2 - 277V	1- Marked spacings

 **INSTALLATION LUMINAIRE**





# INSTALLATION IJB

