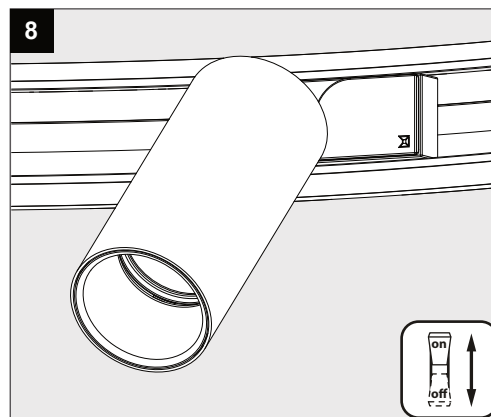
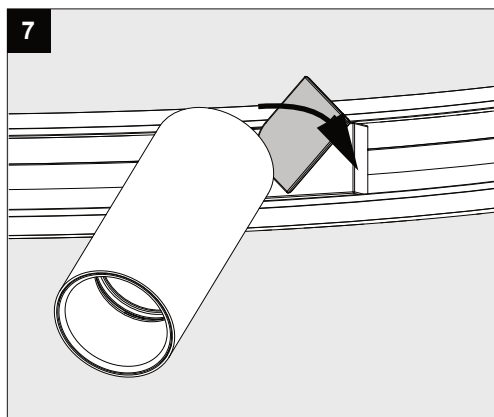
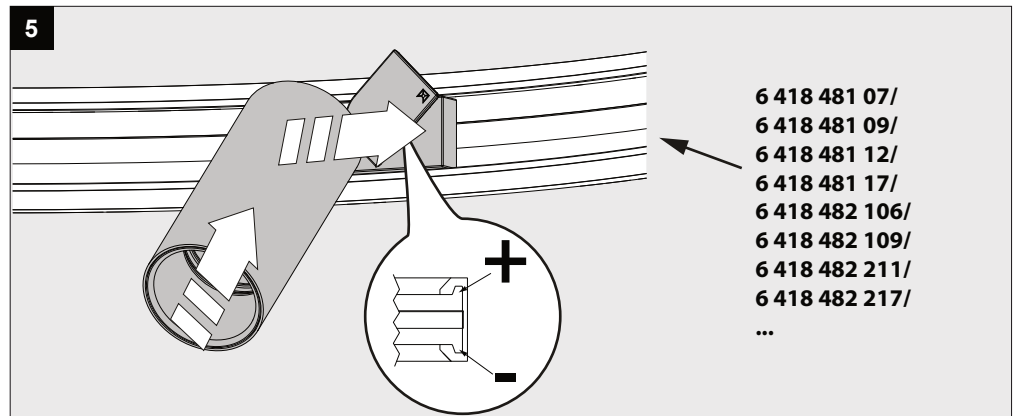
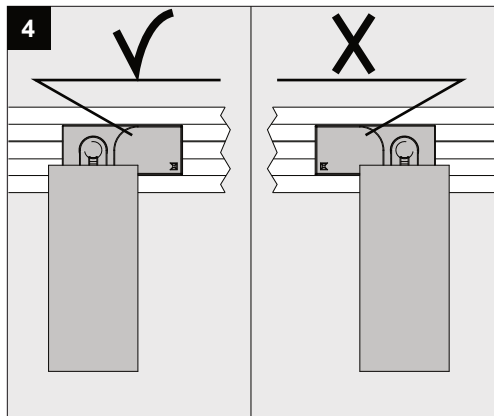
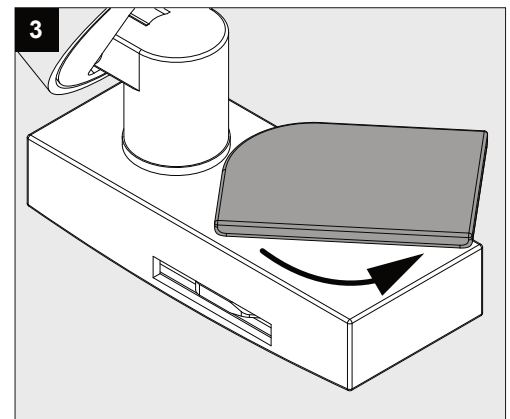
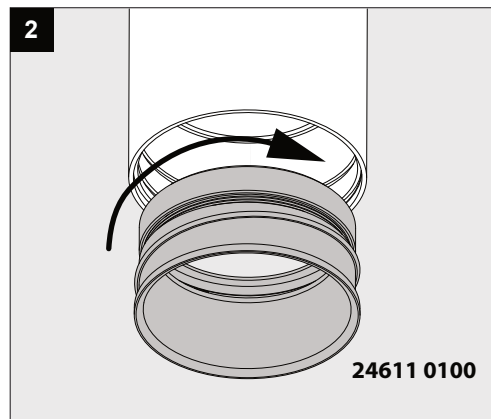
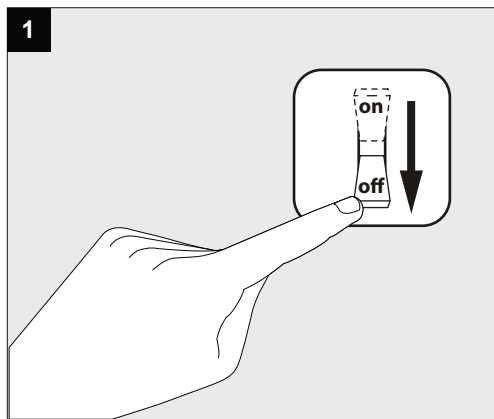
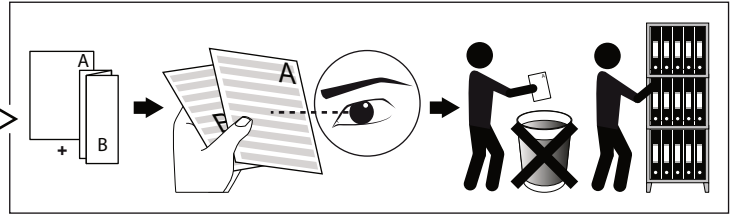
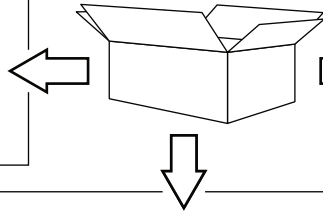


Conforms to ANSI/UL Std. 2108  
Cert. to CAN/CSA Std. 22.2 No. 250.0

# SUPERLOOP-SPY 66 MDL **A**





**ACCESSORIES**

