

**SUPERLOOP-SPY FOCUS ON LP 927 MDL**◇

6 20547 9200◇

◇ = B / FG / FBR

**SUPERLOOP-SPY FOCUS ON LP 930 MDL**◇

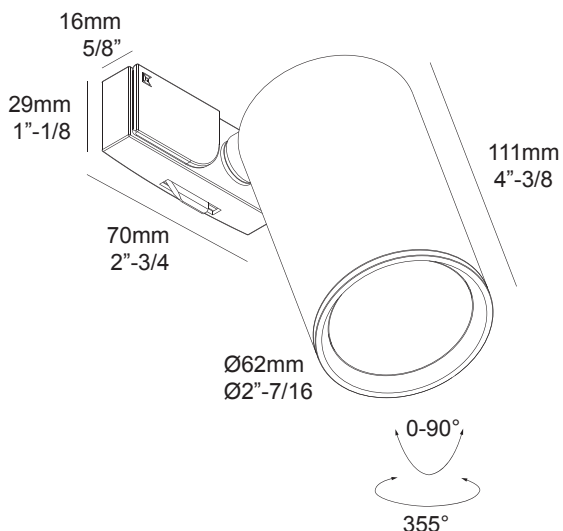
6 20547 9300◇

◇ = B / FG / FBR

**SUPERLOOP-SPY FOCUS ON LP 935 MDL**◇

6 20547 9500◇

◇ = B / FG / FBR



**Application**

For indoor use only

**Color Finish**

B - Black  
 FG - Flemish Gold  
 FBR - Flemish Bronze

**Light source**

1x LED White 8,7W

**Product description**

Surface treated aluminum housing  
 Dimming by DALI / 1-10V control / PUSH button via 48V Modulator  
 Input voltage: 48V-DC  
 Excl. LED power supply 48V-DC  
 Suited for dry locations  
 Protected against solid objects greater than 12mm ➔ IP20  
 Weight: 1,1lbs 0,3kg

**Optional**

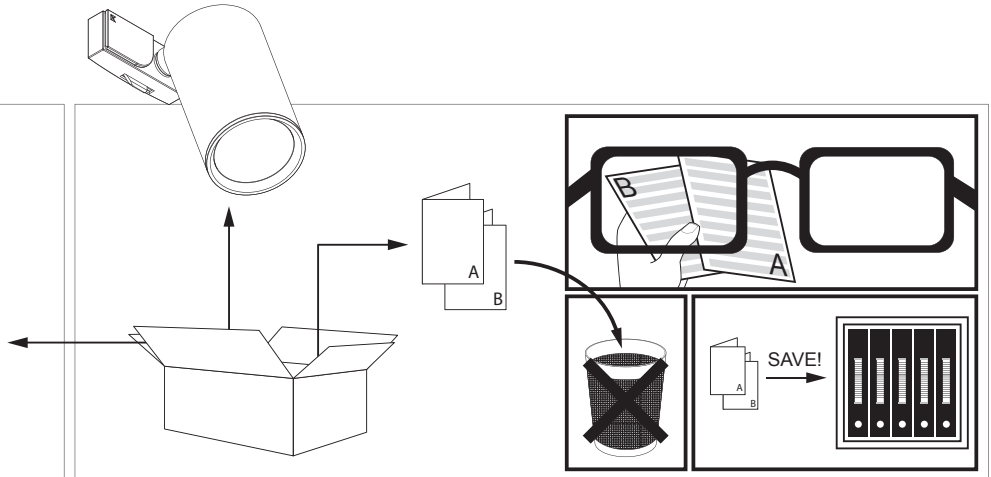
LED Power supply 48V-DC / 90W	6 300 89 48 96
Modulator 48V-DC / DIM9	6 300 90 011
Superloop powerbox L - 48V-DC / 60W	6 418 48 060
Superloop powerbox H - 48V-DC / 90W	6 418 48 090

**Required**

Superloop HC 70 MDL	6 418 481 07
or	
Superloop HC 90 MDL	6 418 481 09
or	
Superloop HC 120 MDL	6 418 481 12
or	
Superloop HC 170 MDL	6 418 481 17
or	
Superloop S HC 106 MDL	6 418 482 106
or	
Superloop S HC 109 MDL	6 418 482 109
or	
Superloop S HC 211 MDL	6 418 482 211
or	
Superloop S HC 217 MDL	6 418 482 217

**INSTALLATION LUMINAIRE**

Accessories



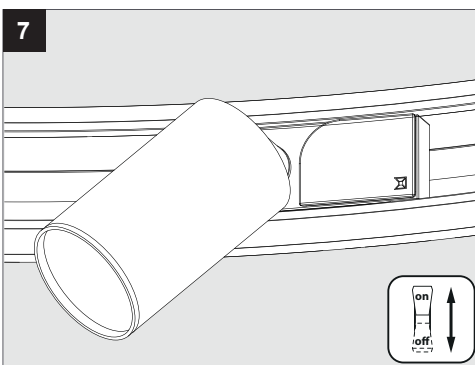
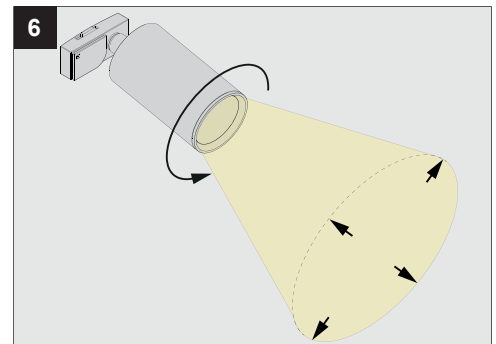
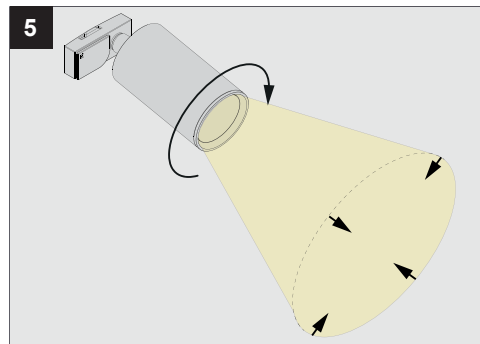
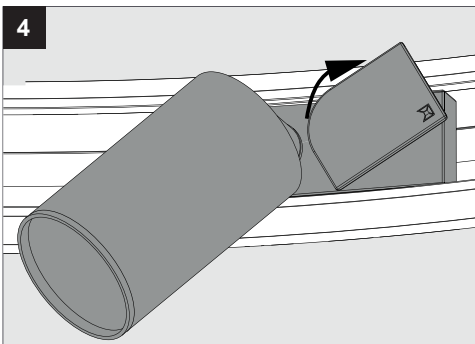
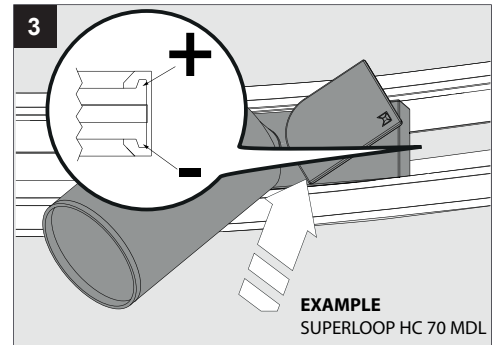
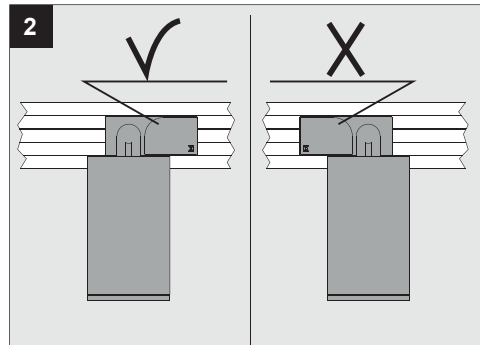
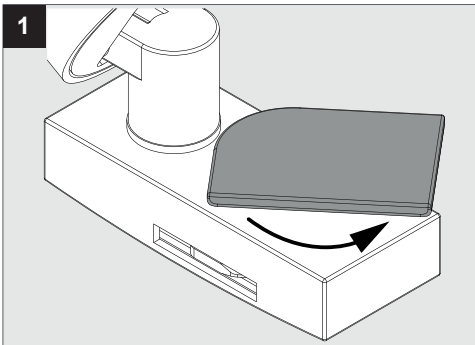
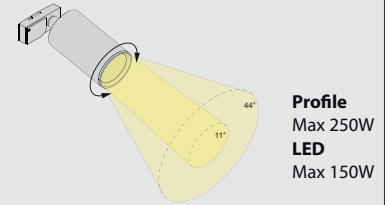
**REQUIRED**

Superloop HC 70 MDL  
or  
Superloop HC 90 MDL  
or  
Superloop HC 120 MDL  
or  
Superloop HC 170 MDL  
or

6 418 481 07  
6 418 481 09  
6 418 481 12  
6 418 481 17

Superloop S HC 106 MDL  
or  
Superloop S HC 109 MDL  
or  
Superloop S HC 211 MDL  
or  
Superloop S HC 217 MDL

6 418 482 106  
6 418 482 109  
6 418 482 211  
6 418 482 217



De verlichtingsbron van dit verlichtingstoestel zal enkel door de fabrikant of door de fabrikant aangestelde installateur vervangen worden.

La source lumière de cet appareil ne sera remplacée que par l'entreprise ou par un agent reconnu.

Das enthaltene Leuchtmittel sollte nur durch entsprechendes Fachpersonal ersetzt werden.

The light source contained in this luminaire shall only be replaced by the manufacturer or his service agent.

La fuente de iluminación que tiene esta luminaria sólo puede remplazarse por el fabricante o por un instalador autorizado.

La sorgente luminosa incorporata in questo apparecchio può essere sostituita solo dal produttore, da un suo centro assistenza oppure da una persona in possesso della necessaria abilitazione.