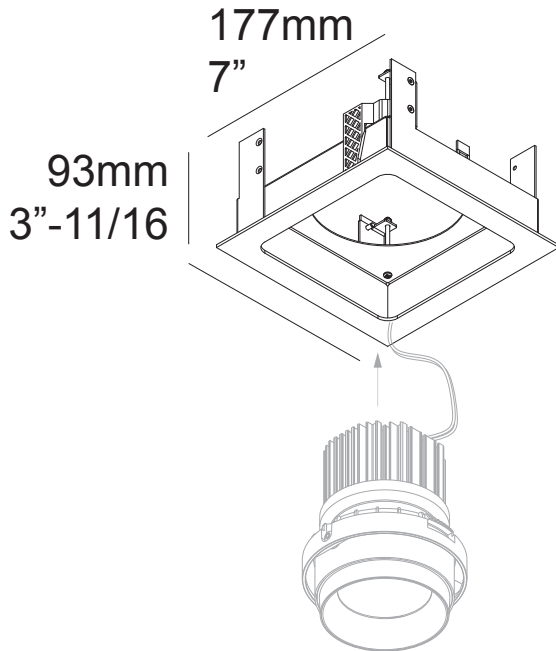
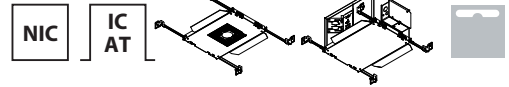


GRID IN 1 HP FRAME ◇
 6 202 801 01 ◇
 ◇ = B-B / W-B / W-W



Application

Finishing section to be used with DELTA LIGHT® rough-in housing or Plasterframe.

Ceiling Thickness

For 5/8" ceiling standard up to 7/8"

Specification features

Powder coated steel frame.
 To be mounted in the rough-in section with four screws.
 Matching light engine from the Grid in HP snap-in range
 snaps in the grid-in HP frame
 Suitable for dry and damp locations.

Light source (see requirement GRID IN SNAP-IN HP)

One 24,3W max POWERLED WHITE

Power Supply (see requirement GRID IN SNAP-IN HP)

Included in the rough-in housing or plasterframe.

Dimensions

Height: 93mm = 3"-11/16
 Width: 177mm x 177mm = 7" x 7"

Required options for non-class 2 power limited circuits

Housing for NIC and/or airtight applications

HOUSING FOR IC AND/OR AIRTIGHT APPLICATIONS

										RANGE	INSTALLATION TYPE		POWER & DIMMING				VOLTAGE			MOUNTING OPTION	
A	B	C1	C2	D	E1	E2	1 - 120V	2 - 277V	3 - 120-277V								4 - 347V*	0 - NO BAR HANGERS	1 - BAR HANGERS STANDARD		
0	0	0	0	0	0	0	6	202	14	IC/NIC AT HOUSING M	C2	45	25W 500MA 1-10V DIM*	38	3	120-277V	E2	1	BAR HANGERS STANDARD		
												53	32W 700MA 1-10V DIM*								
												84	40W 700MA LUTRON ECO DIM**								
												89	27W 500MA LUTRON ECO DIM**								

Plasterframe for NIC applications

PLASTERFRAME FOR NON-IC APPLICATIONS

										RANGE	INSTALLATION TYPE		POWER & DIMMING				VOLTAGE			MOUNTING OPTION	
A	B	C1	C2	D	E1	E2	1 - 120V	2 - 277V	3 - 120-277V								4 - 347V*	0 - NO BAR HANGERS	1 - BAR HANGERS STANDARD		
0	0	0	0	0	0	0	6	202	02	NIC PLASTERFRAME M	C2	53	32W 700MA 1-10V DIM*	38	1	120V	E2	1	BAR HANGERS STANDARD		
												53	32W 700MA 1-10V DIM*								
												84	40W 700MA LUTRON ECO DIM**								
												84	40W 700MA LUTRON ECO DIM**								

INSTALLATION LUMINAIRE

