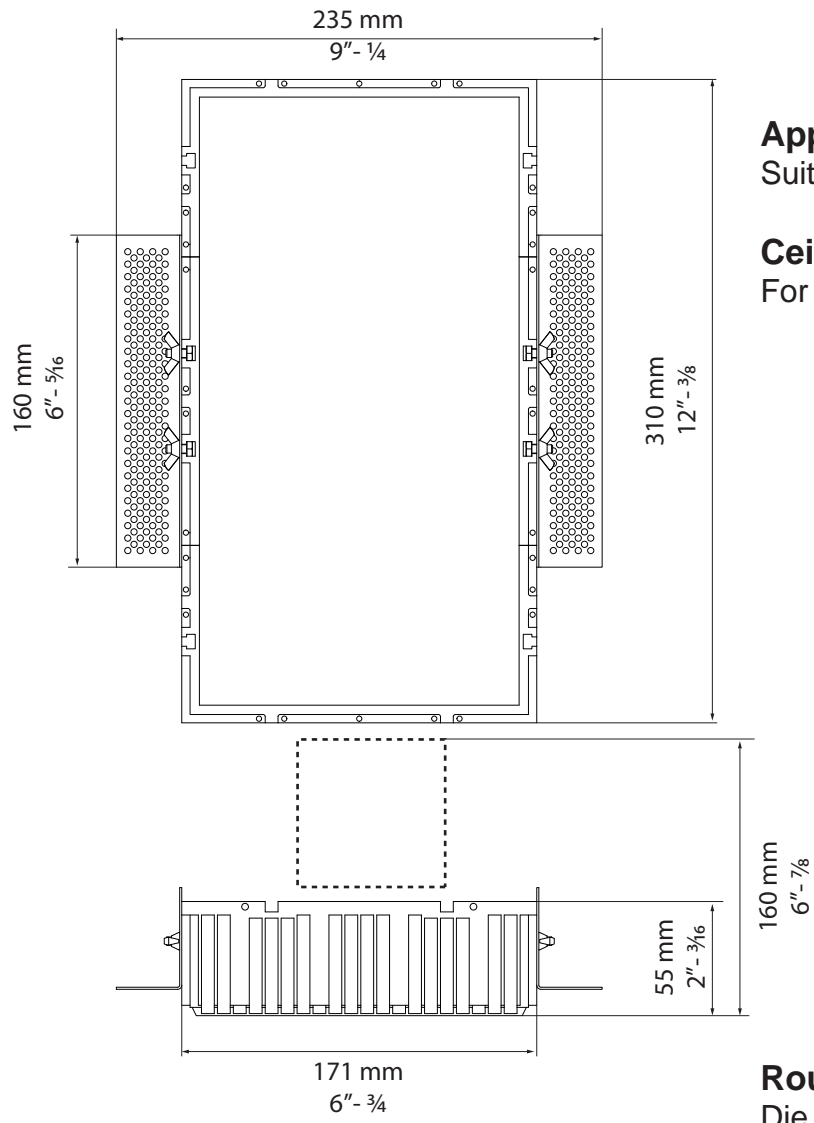
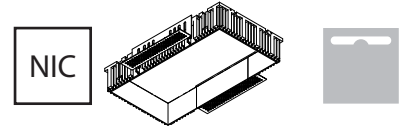


6 202 61 95 02 RM  
 GRID IN TRIMLESS 2 MOUNTING KIT RM



**Application**

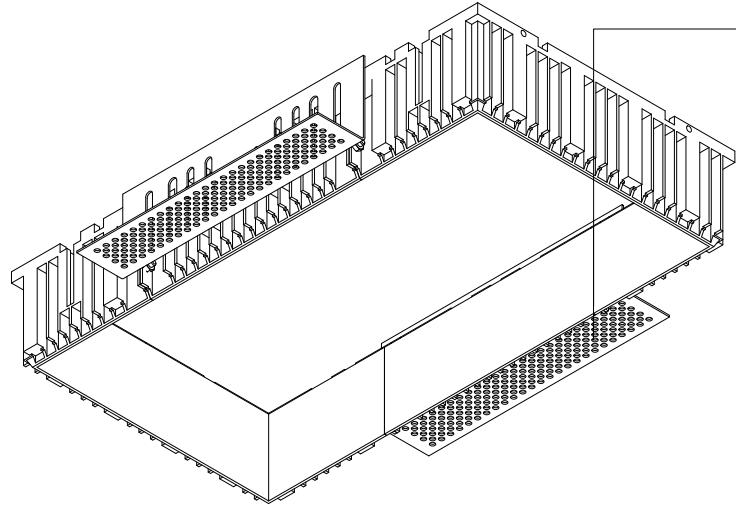
Suitable for recessed retrofit trimless applicator.

**Ceiling Thickness**

For various ceiling thicknesses adjustable from 1/2" to max 1"

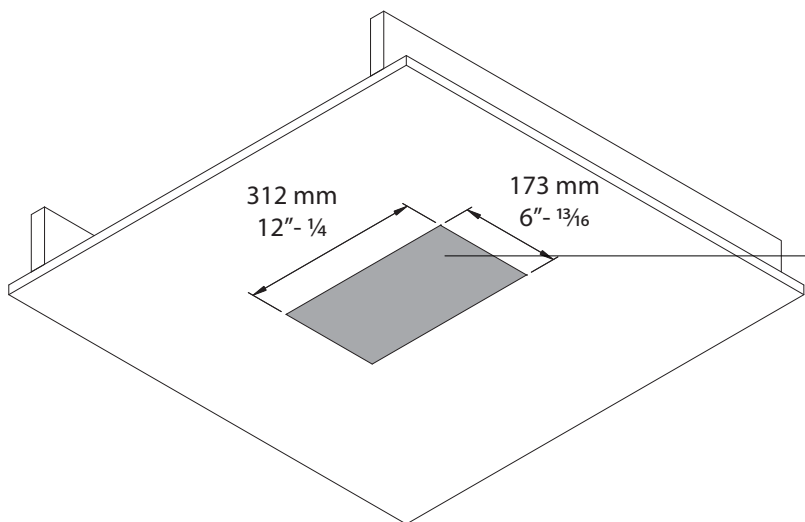
**Rough-in frame features**

Die cast aluminium trimless kit frame.  
 Perforated flap for secure drywall installation.



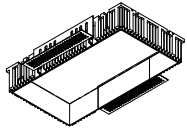
**Dimensions**

Required free plenum height: 160 mm = 6" - 7/8



**Only in combination with:**

GRID IN TRIMLESS 2 QR NIC 6 202 61 00 02 1



# MOUNTING KIT INSTALLATION

