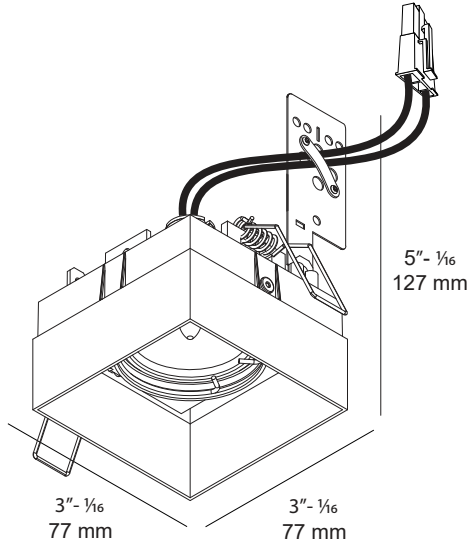
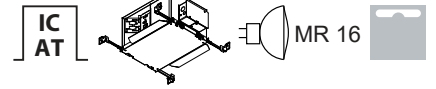


CARREE TRIMLESS OK S1

6 202 51 51 ◇

◇ = A / W



Application

Finishing section to be used with DELTA LIGHT® rough-in housing.

Ceiling Thickness

For 5/8" ceiling standard up to 7/8"

Light source

For one max 7,5W MR16 lamp (not included)
Only for SORAA type SM16-07

Input voltage

12V AC

Connector

Housing and trim connection through pre-installation snap-in connector

Specification features

Housing fabricated of surface treated aluminum
Pre-installed springs for easy installation
Gx5.3 lampholder
Suitable for dry and damp location

Dimensions

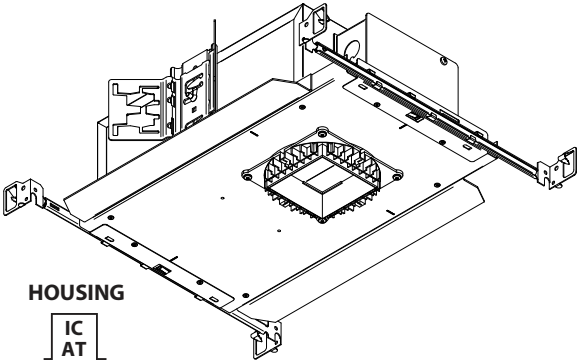
Height: 127 mm = 5" - 1/16
Width: 77 mm x 77 mm = 3" - 1/16 x 3" - 1/16
Ceiling Cut out: Ø120mm = Ø4" - 3/4 (KIT)

Compatible Rough-in Housings required

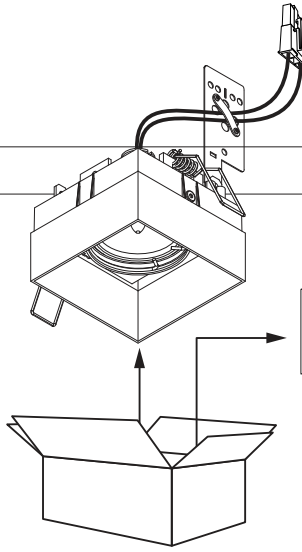
6 300 92 91 03	Snap-in connector female part
6 202 702 06 1X	IC/NIC AT S 12VAC LED 7,5W MAX 120V TRIMLESS

 **INSTALLATION LUMINAIRE**

Not Supplied

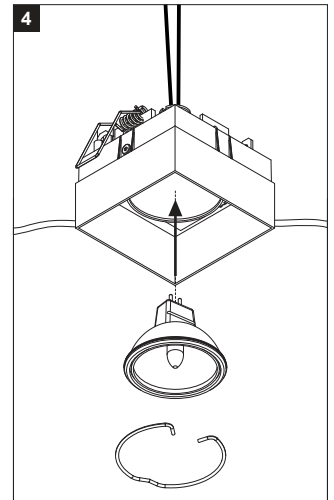
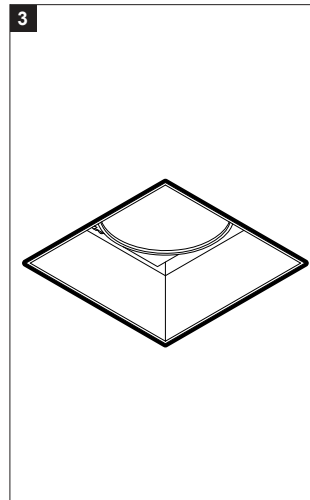
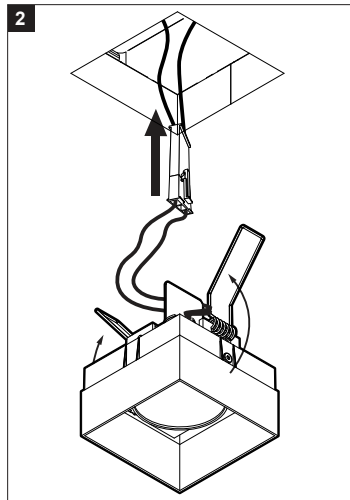
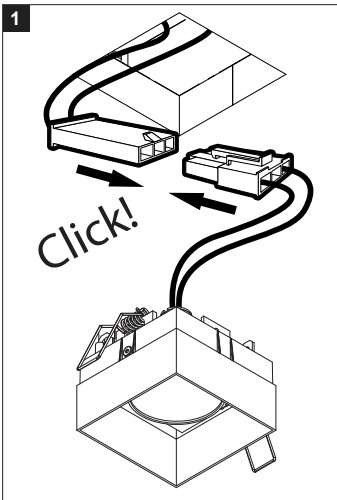
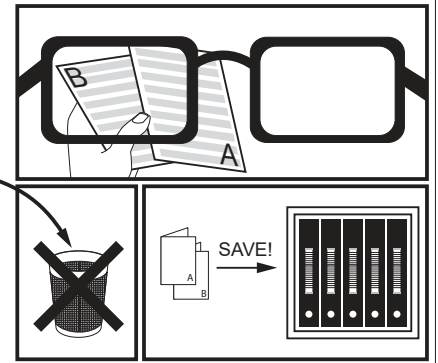
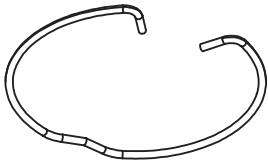


Rough-in Housing
Required



Accessory set

1x



CAUTION! - RISK OF FIRE
THIS PRODUCT MUST BE INSTALLED IN ACCORDANCE WITH THE APPLICABLE INSTALLATION CODE BY A PERSON FAMILIAR WITH THE CONSTRUCTION AND OPERATION OF THE PRODUCT AND THE HAZARDS INVOLVED.

ATTENTION! - RISQUE D'INCENDIE
CE PRODUIT DOIT ÊTRE INSTALLÉ SELON LE CODE D'INSTALLATION PERTINENT, PAR UNE PERSONNE QUI CONNAÎT BIEN LE PRODUIT ET SON FONCTIONNEMENT AINSI QUE LES RISQUES INHÉRENTS.