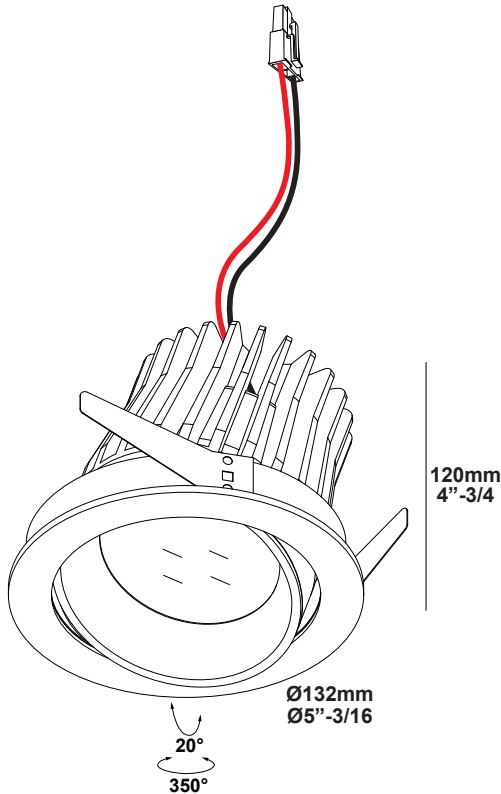


- GRAND REO OK 83020** 6 202 393 21 832 ◊
◊ = B-B / W-B / W-W
- GRAND REO OK 83035** 6 202 393 21 833 ◊
◊ = B-B / W-B / W-W
- GRAND REO OK 82720** 6 202 393 21 822 ◊
◊ = B-B / W-B / W-W
- GRAND REO OK 82735** 6 202 393 21 823 ◊
◊ = B-B / W-B / W-W
- GRAND REO OK 93020** 6 202 393 21 932 ◊
◊ = B-B / W-B / W-W
- GRAND REO OK 93035** 6 202 393 21 933 ◊
◊ = B-B / W-B / W-W
- GRAND REO OK 92720** 6 202 393 21 922 ◊
◊ = B-B / W-B / W-W
- GRAND REO OK 92735** 6 202 393 21 923 ◊
◊ = B-B / W-B / W-W



Application

Finishing section to be used with DELTA LIGHT® rough-in housing or plasterframe

Ceiling Thickness

For 5/8" ceiling standard up to 7/8"

Light source

One 18W max POWERLED WHITE (500mA) (Typical forward voltage: 34,4V)
Or one 25W max POWERLED WHITE (700mA) (Typical forward voltage: 35,5V)

Power Supply

Current controled class 2 power supply required. (supplied with housing or plasterframe)
Do not interconnect in parallel!

Connector

Housing and trim connection through pre-installed snap-in connector

Specification features

Powder coated aluminum assembly
Three pre-installed springs for easy installation
Suitable for dry and damp locations

Dimensions

Height: 120mm = 4"-3/4
Width: Ø132mm = Ø5"-3/16
Ceiling Cut out: ØHOUSING or ØPLASTERFRAME

Required options for non-class 2 power limited circuits

Housing for IC and/or airtight applications

| Range | Installation type | Lamp Source | Opening | Voltage | Mounting Option | |
|-------|-------------------|---------------------|----------------------------|--------------------------------------|--|--------------------------|
| | | | | 1 - 120V 2 - 277V 3 - 120-277V | 0 - No bar hangers 1 - Bar hangers standard | |
| 6 | 202 | 2 - IC AT Housing M | 45 - 500mA-DC 12W ED1 UNV | 27 - Plasterkit 185 | 3 - 120-277V | 1 - Bar hangers standard |
| 6 | 202 | 2 - IC AT Housing M | 63 - 500mA-DC 22W ED8 120V | 27 - Plasterkit 185 | 1 - 120V | 1 - Bar hangers standard |
| 6 | 202 | 2 - IC AT Housing M | 71 - 500mA-DC 30W ED10 UNV | 27 - Plasterkit 185 | 3 - 120-277V | 1 - Bar hangers standard |

Plasterframe for NON-IC applications

| Range | Installation type | Lamp Source | Opening | Voltage | Mounting Option | |
|-------|-------------------|-------------------------|---------------------------|--------------------------------------|--|--------------------------|
| | | | | 1 - 120V 2 - 277V 3 - 120-277V | 0 - No bar hangers 1 - Bar hangers standard | |
| 6 | 202 | 01 - NIC Plasterframe S | 58 - 700mA-DC 40W ED1 UNV | 27 - Plasterkit 185 | 3 - 120-277V | 1 - Bar hangers standard |
| 6 | 202 | 01 - NIC Plasterframe S | 84 - 700mA-DC 40W ED8 UNV | 27 - Plasterkit 185 | 3 - 120-277V | 1 - Bar hangers standard |



INSTALLATION LUMINAIRE

Not Supplied

Rough-in Housing or Plasterframe Required

