



**REO S OK 92733 S1**

6 202 38 811 922◇

◇ = A / W

**REO S OK 92750 S1**

6 202 38 811 923◇

◇ = A / W

**REO S OK 93033 S1**

6 202 38 811 932◇

◇ = A / W

**REO S OK 93050 S1**

6 202 38 811 933◇

◇ = A / W

**REO S OK 93533 S1**

6 202 38 811 952◇

◇ = A / W

**REO S OK 93550 S1**

6 202 38 811 953◇

◇ = A / W



**Application**

Finishing section to be used with DELTA LIGHT® rough-in housing, plasterframe or remodel IJB option.

**Ceiling Thickness**

For 5/8" ceiling standard up to 7/8"

**Color Finish**

A - Alu Grey  
W - White

**Light Source**

Two 10,4 - 15W LED module included

**Delivered Lumens**

1106lm at 3500K<sup>(1)</sup>  
1075lm at 3000K<sup>(1)</sup>  
1032lm at 2700K<sup>(1)</sup>

**Power Supply**

Included in rough-in or remodel IJB option.

**Connector**

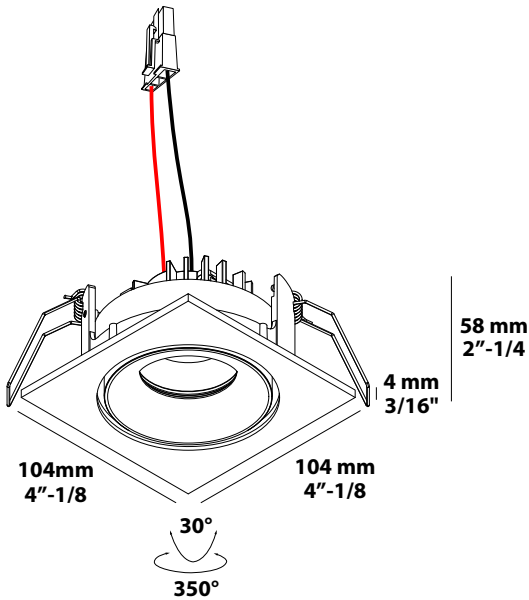
Rough-in and trim connection through pre-installed snap-in connector

**Specification features**

Body fabricated of surface treated aluminum  
Pre-installed springs for easy installation  
Suitable for dry and damp locations

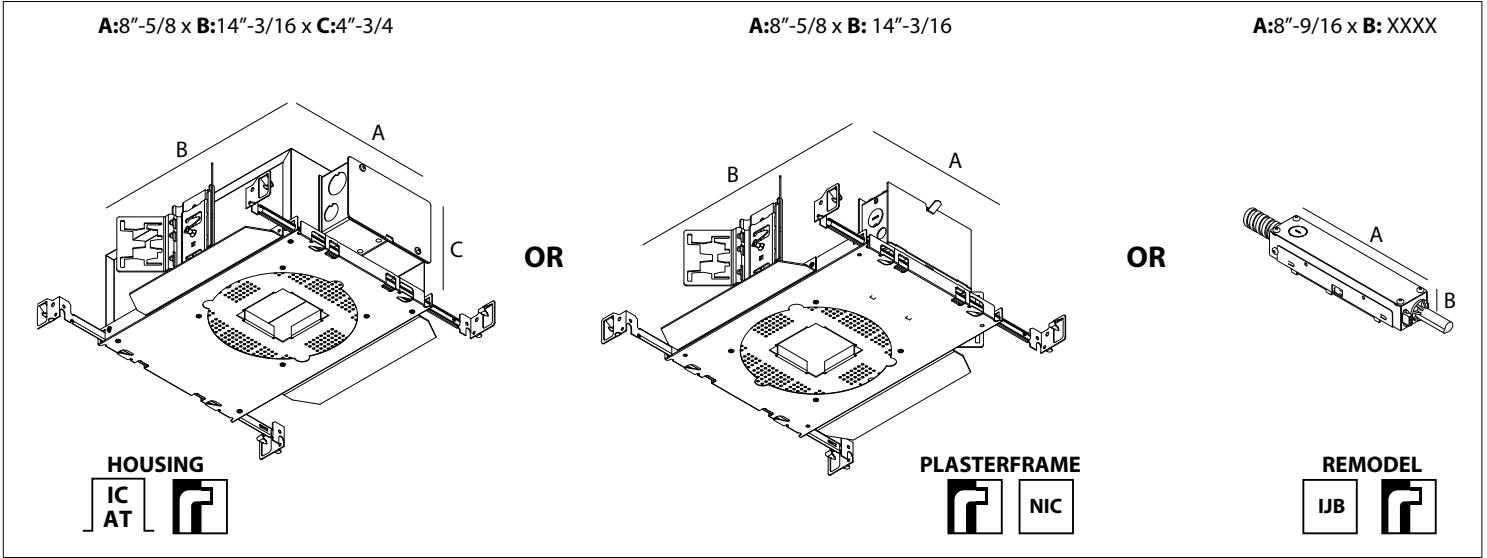
**Dimensions**

Height: 57 mm = 2" - 1/4  
width: 104 mm x 104 mm = 4" - 1/8 x 4" - 1/8  
Ceiling Cut out: Ø98 mm = Ø3" - 7/8





# ROUGH-IN REQUIREMENTS



## Required options ( Values per LED )

New construction

Housing for IC and/or airtight applications

Range	Installation type	Power/Dimming	Voltage	Mounting Option
6	202	7 - IC AT Housing S	43 - 10,4W 1-10V DIM	0 - No bar hangers 1 - Bar hangers standard
6	202	7 - IC AT Housing S	62 - 10,4W mains dimmable (ELV)	3 - 120-277V
6	202	7 - IC AT Housing S	72 - 10,4W Lutron Ecosystem dim	3 - 120-277V
			46	3 - 120-277V
			46	1 - 120V
			46	3 - 120-277V

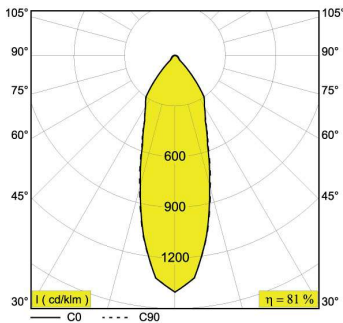
New construction

Plasterframe for NON-IC applications

Range	Installation type	Power/Dimming	Voltage	Mounting Option
6	202	01 - NIC Plasterframe S	43 - 10,4W 1-10V DIM	0 - No bar hangers 1 - Bar hangers standard
6	202	01 - NIC Plasterframe S	43 - 10,4W 1-10V DIM	1 - Bar hangers standard
6	202	01 - NIC Plasterframe S	62 - 10,4W mains dimmable (ELV)	1 - Bar hangers standard
6	202	01 - NIC Plasterframe S	72 - 10,4W Lutron Ecosystem dim	1 - Bar hangers standard
6	202	01 - NIC Plasterframe S	72 - 10,4W Lutron Ecosystem dim	1 - Bar hangers standard
			46	1 - 120V
			46	2 - 277V
			46	1 - 120V
			46	1 - 120V
			46	2 - 277V

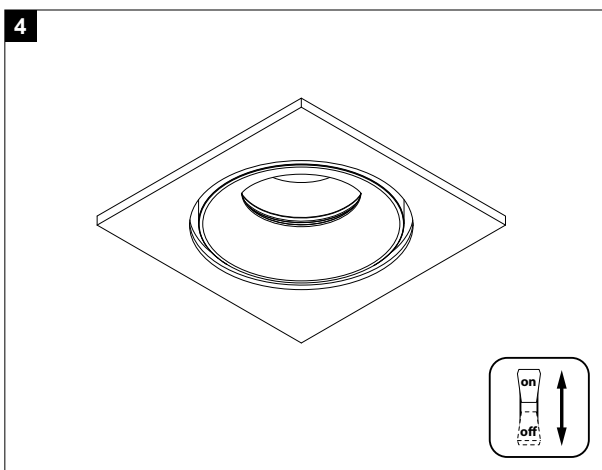
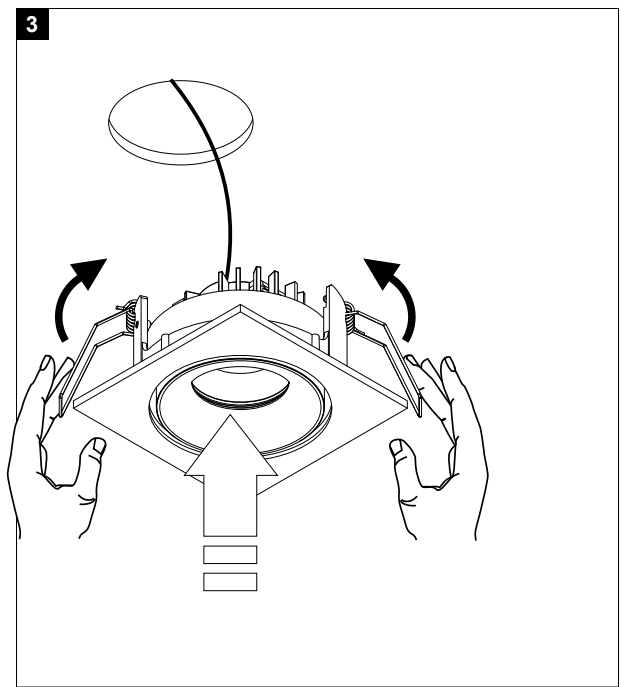
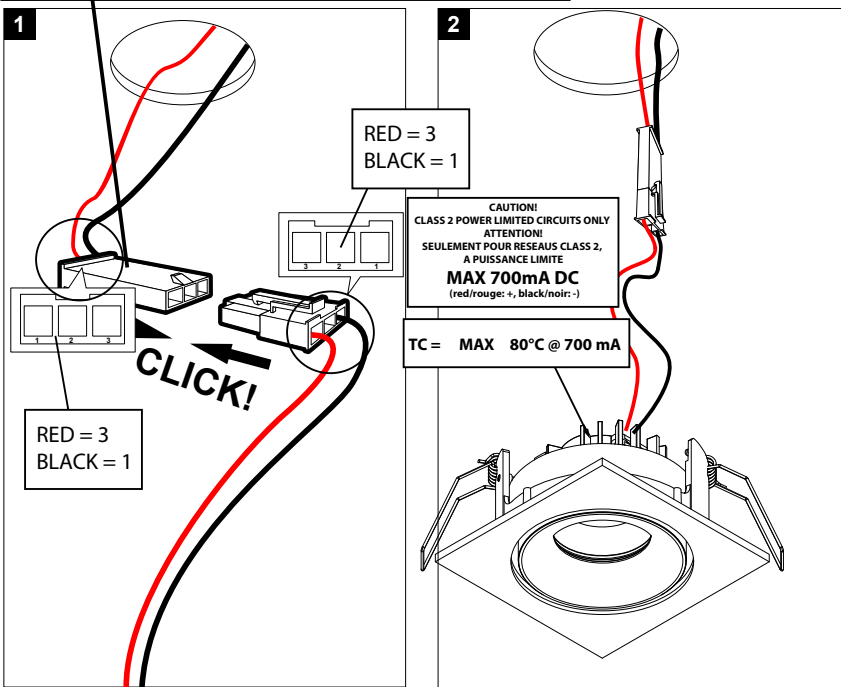
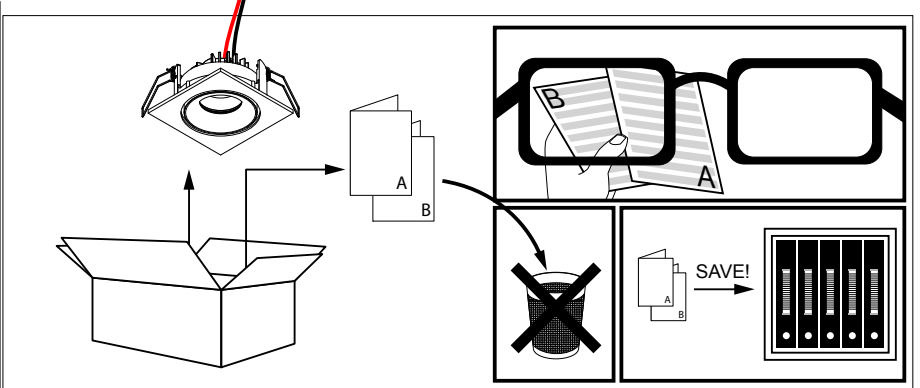
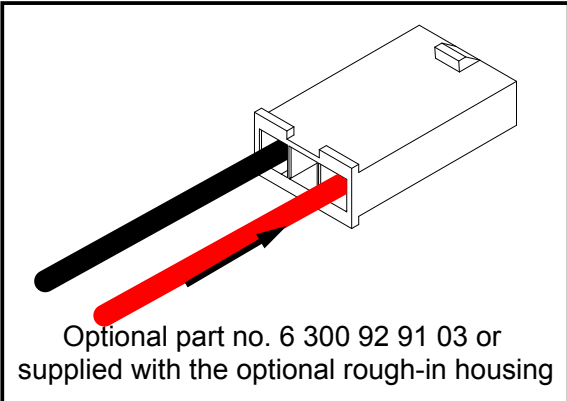
Remodel IJB

Range	Installation type	Power/Dimming	Voltage	Spacings
6	202	9 - NIC-IC IJB	19 - 10,4W mains dimmable (ELV)	1 - Standard spacings 1 - Marked spacings
6	202	9 - NIC-IC IJB	20 - 10,4W 1-10V DIM	1 - 120V
6	202	9 - NIC-IC IJB	20 - 10,4W 1-10V DIM	1 - 120V
6	202	9 - NIC-IC IJB	20 - 10,4W 1-10V DIM	2 - 277V
6	202	9 - NIC-IC IJB	21 - 15W mains dimmable (ELV)	1 - 120V
6	202	9 - NIC-IC IJB	69 - 15W 1-10V DIM	1 - 120V
6	202	9 - NIC-IC IJB	69 - 15W 1-10V DIM	2 - 277V



<sup>(1)</sup>Values based on 33° White finish

 **INSTALLATION LUMINAIRE**





# INSTALLATION IJB

