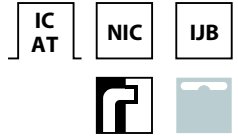
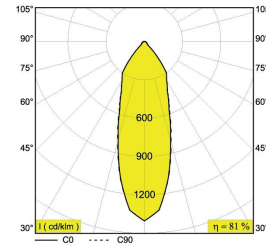


- REO OK 92733 S1 ◇
6 202 37 811 922 ◇
◇ = A / B / W
- REO OK 92750 S1 ◇
6 202 37 811 923 ◇
◇ = A / B / W
- REO OK 93033 S1 ◇
6 202 37 811 932 ◇
◇ = A / B / W
- REO OK 93050 S1 ◇
6 202 37 811 933 ◇
◇ = A / B / W
- REO OK 94033 S1 ◇
6 202 37 811 942 ◇
◇ = A / B / W
- REO OK 94050 S1 ◇
6 202 37 811 943 ◇
◇ = A / B / W
- REO OK 93533 S1 ◇
6 202 37 811 952 ◇
◇ = A / B / W
- REO OK 93550 S1 ◇
6 202 37 811 953 ◇
◇ = A / B / W



Application

Finishing section to be used with DELTA LIGHT® rough-in housing, plasterframe or remodel IJB option.

Ceiling Thickness

For 5/8" ceiling standard up to 7/8"

Color Finish

A - Alu Grey
W - White
B - Black

Light Source

Two 10,4 - 15W LED module included

Delivered Lumens

1109lm at 3500K⁽¹⁾
1075lm at 3000K⁽¹⁾
1032lm at 2700K⁽¹⁾

Power Supply

Included in rough-in or remodel IJB option.

Connector

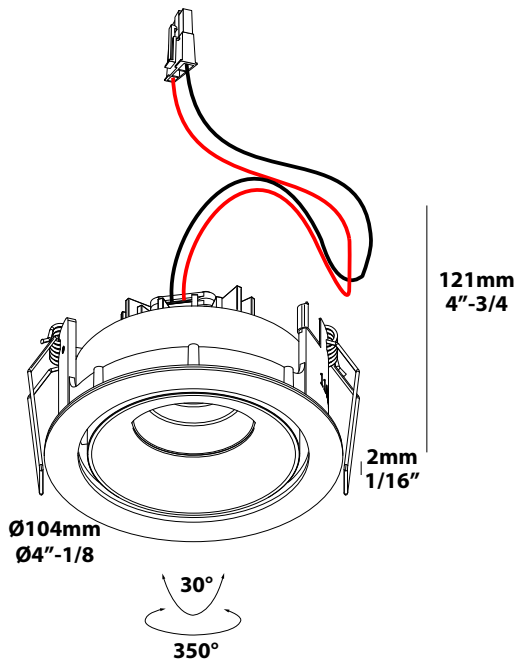
Rough-in and trim connection through pre-installed snap-in connector

Specification features

Body fabricated of surface treated aluminum
Pre-installed springs for easy installation
Suitable for dry and damp locations

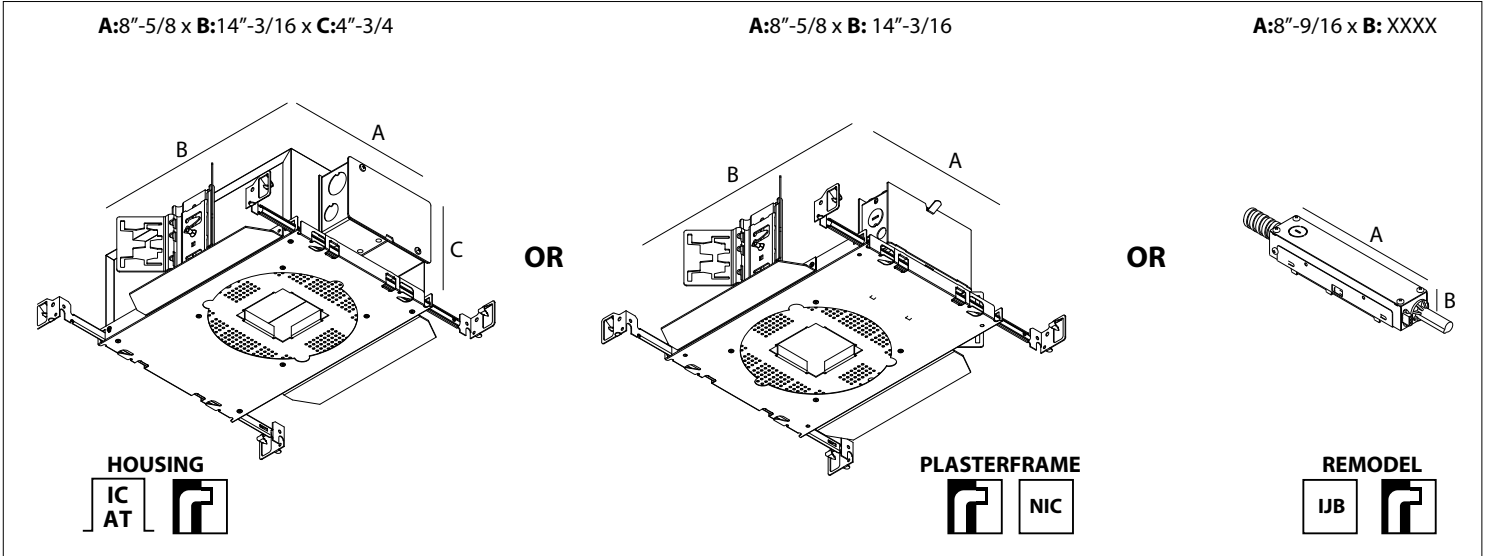
Dimensions

Height: 121 mm = 2"- 3/16
Diameter: Ø 104 mm = Ø 3"- 1/4
Ceiling Cut out: Ø 98 mm = Ø 3"-7/8





ROUGH-IN REQUIREMENTS



Required options (Values per LED)

New construction

Housing for IC and/or airtight applications

Range	Installation type	Power/Dimming		Voltage 1 - 120V 2 - 277V 3 - 120-277V	Mounting Option 0 - No bar hangers 1 - Bar hangers standard
6	202	7 - IC AT Housing S	42 - 7,1W 0-10V DIM	77	3 - 120-277V
6	202	7 - IC AT Housing S	46 - 7,1W mains dimmable (ELV)	77	1 - 120V
6	202	7 - IC AT Housing S	48 - 7,1W non-dimmable	77	1 - 120V
6	202	7 - IC AT Housing S	43 - 10,4W 0-10V DIM	77	3 - 120-277V
6	202	7 - IC AT Housing S	49 - 10,4W non-dimmable	77	1 - 120V
6	202	7 - IC AT Housing S	62 - 10,4W mains dimmable (ELV)	77	1 - 120V

New construction

Plasterframe for NON-IC applications

Range	Installation type	Power/Dimming		Voltage 1 - 120V 2 - 277V 3 - 120-277V	Mounting Option 0 - No bar hangers 1 - Bar hangers standard
6	202	01 - NIC Plasterframe S	00 - /	77	0 - /
6	202	01 - NIC Plasterframe S	46 - 7,1W mains dimmable (ELV)	77	1 - 120V
6	202	01 - NIC Plasterframe S	48 - 7,1W non-dimmable	77	1 - 120V
6	202	01 - NIC Plasterframe S	49 - 10,4W non-dimmable	77	1 - 120V
6	202	01 - NIC Plasterframe S	62 - 10,4W mains dimmable (ELV)	77	1 - 120V

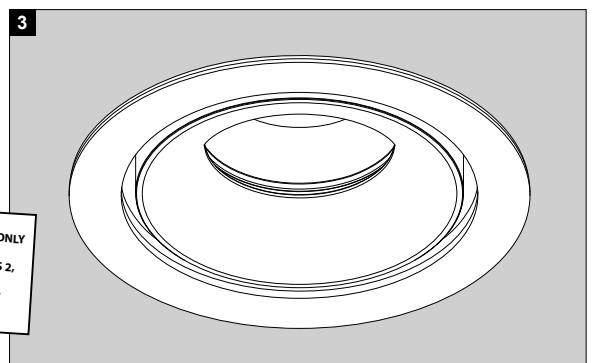
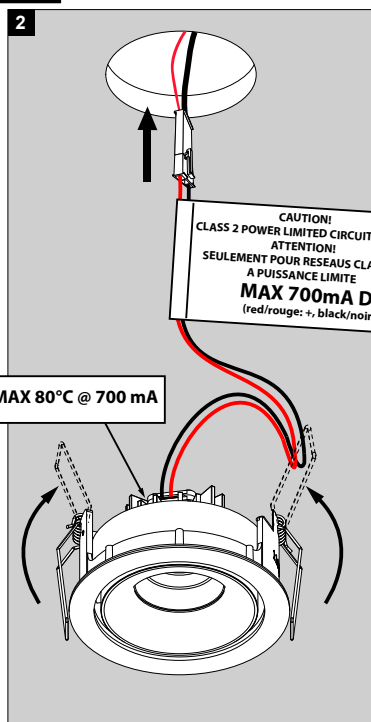
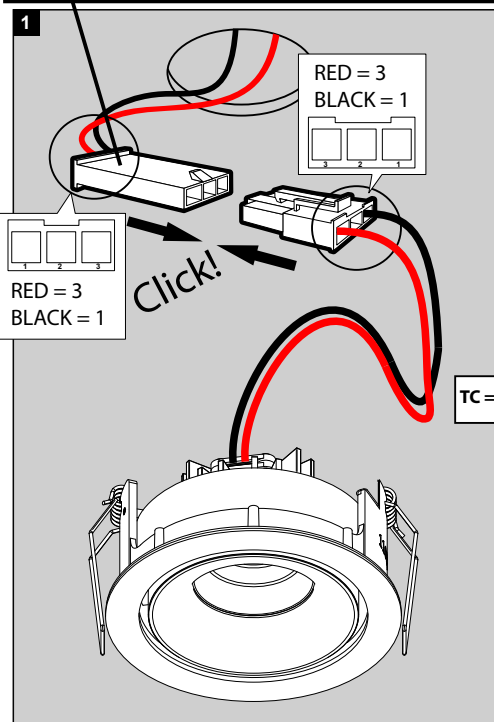
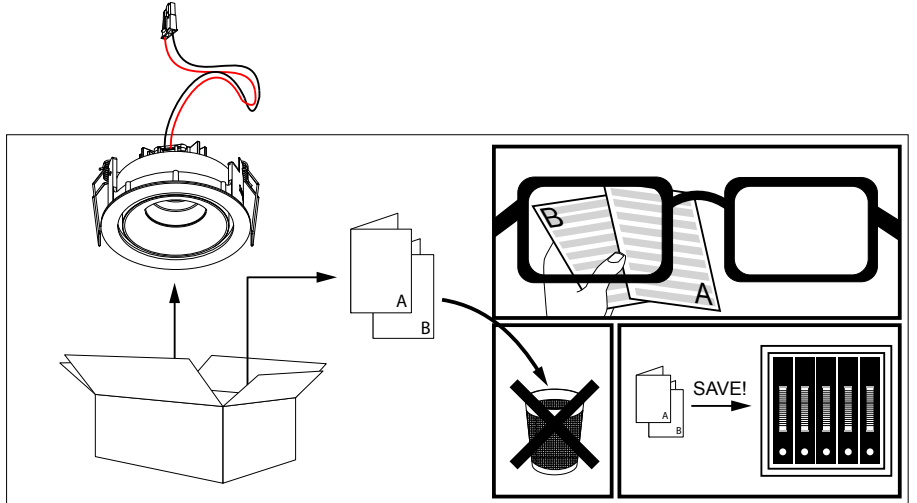
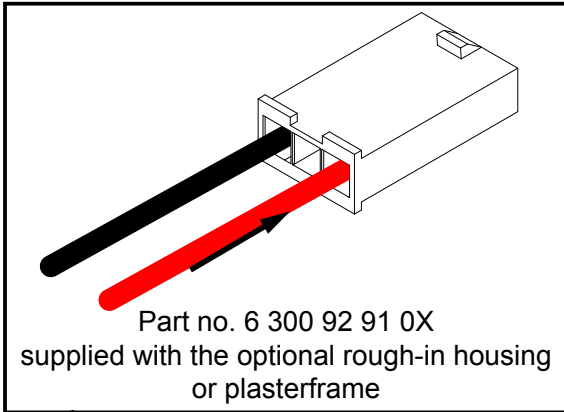
Remodel IJB

Range	Installation type	Power/Dimming		Voltage 1 - 120V 2 - 277V 3 - 120-277V	Spacings 1 - Standard spacings 1 - Marked spacings
6	202	9 - NIC-IC IJB	19 - 10,4W mains dimmable (ELV)	1 - 120V	1 - Standard spacings
6	202	9 - NIC-IC IJB	20 - 10,4W 0-10V DIM	1 - 120V	1 - Standard spacings
6	202	9 - NIC-IC IJB	20 - 10,4W 0-10V DIM	2 - 277V	1 - Standard spacings
6	202	9 - NIC-IC IJB	21 - 15W mains dimmable (ELV)	1 - 120V	1 - Marked spacings
6	202	9 - NIC-IC IJB	69 - 15W 0-10V DIM	1 - 120V	1 - Marked spacings
6	202	9 - NIC-IC IJB	69 - 15W 0-10V DIM	2 - 277V	1 - Marked spacings

⁽¹⁾Values based on 33° White finish



INSTALLATION LUMINAIRE





INSTALLATION IJB

