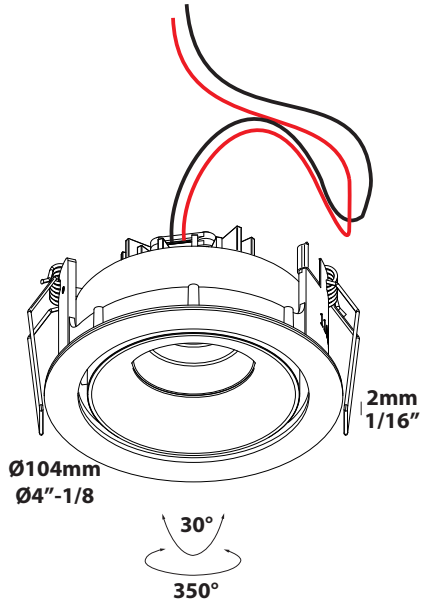
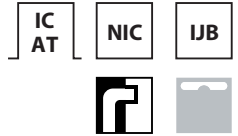
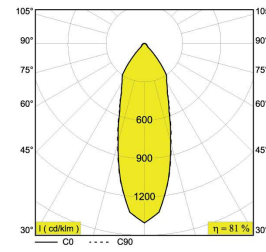


**REO OK 9-SOFT S1** ◇

6 202 37 1902 ◇

◇ = B / W



121 mm  
4\"/>

**Application**

Finishing section to be used with DELTA LIGHT® rough-in housing, plasterframe or remodel IJB option.

**Ceiling Thickness**

For 5/8\"/>

**Color Finish**

W - White  
B - Black

**Light Source**

One 9,5W LED module included

**Power Supply**

Current controlled class 2 power supply required. (supplied with housing or plasterframe)  
Max 650mA, typical forward voltage 14,6V. Do not interconnect in parallel!

**Connector**

Rough-in and trim connection through pre-installed snap-in connector

**Specification features**

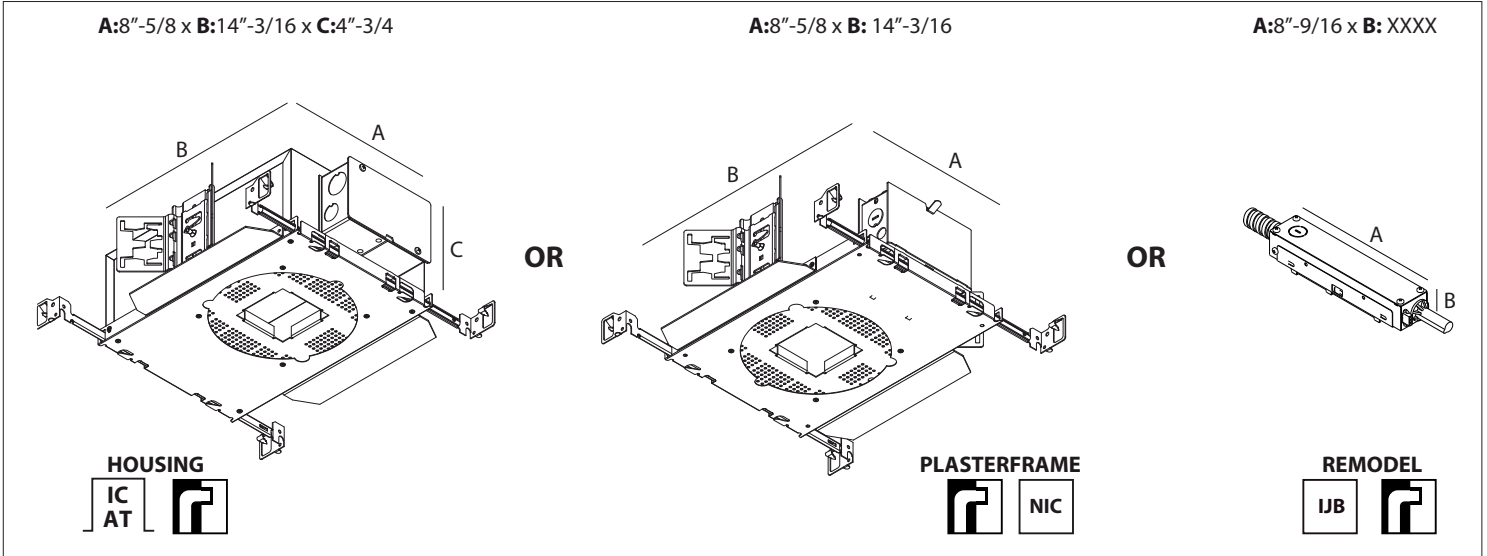
Body fabricated of surface treated aluminum  
Pre-installed springs for easy installation  
Suitable for dry and damp locations

**Dimensions**

Height: 121 mm = 2\"/>



# ROUGH-IN REQUIREMENTS



## Required options ( Values per LED )

New construction

Housing for IC and/or airtight applications

Range	Installation type	Power/Dimming		Voltage 1 - 120V 2 - 277V 3 - 120-277V	Mounting Option 0 - No bar hangers 1 - Bar hangers standard
6	202	7 - IC AT Housing S	22 - 13W mains dimmable (FE)	77	1 - 120V 1 - Bar hangers standard

New construction

Plasterframe for NON-IC applications

Range	Installation type	Power/Dimming		Voltage 1 - 120V 2 - 277V 3 - 120-277V	Mounting Option 0 - No bar hangers 1 - Bar hangers standard
6	202	01 - NIC Plasterframe S	22 - 13W mains dimmable (FE)	77	1 - 120V 1 - Bar hangers standard

Remodel IJB

Range	Installation type	Power/Dimming		Voltage 1 - 120V 2 - 277V 3 - 120-277V	Spacings 1 - Standard spacings 1 - Marked spacings
6	202	9 - NIC-IC IJB	22 - No opening ( IJB )	99 - IJB	1 - Standard spacings

<sup>(1)</sup>Values based on 33° White finish



INSTALLATION LUMINAIRE

