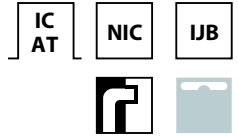
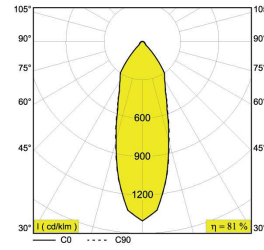


- REO 92733 S1 ◇
6 202 26 811 922 ◇
◇ = A / B / W / C
- REO 92750 S1 ◇
6 202 26 811 923 ◇
◇ = A / B / W / C
- REO 93033 S1 ◇
6 202 26 811 932 ◇
◇ = A / B / W / C
- REO 93050 S1 ◇
6 202 26 811 933 ◇
◇ = A / B / W / C
- REO 94033 S1 ◇
6 202 26 811 942 ◇
◇ = A / B / W / C
- REO 94050 S1 ◇
6 202 26 811 943 ◇
◇ = A / B / W / C
- REO 93533 S1 ◇
6 202 26 811 952 ◇
◇ = A / B / W / C
- REO 93550 S1 ◇
6 202 26 811 953 ◇
◇ = A / B / W / C



Application

Finishing section to be used with DELTA LIGHT® rough-in housing, plasterframe or remodel IJB option.

Ceiling Thickness

For 5/8" ceiling standard up to 7/8"

Color Finish

- A - Alu Grey
- W - White
- B - Black
- C - Chromed

Light Source

Two 10,4 - 15W LED module included

Delivered Lumens

- 1109lm at 3500K⁽¹⁾
- 1075lm at 3000K⁽¹⁾
- 1032lm at 2700K⁽¹⁾

Power Supply

Included in rough-in or remodel IJB option.

Connector

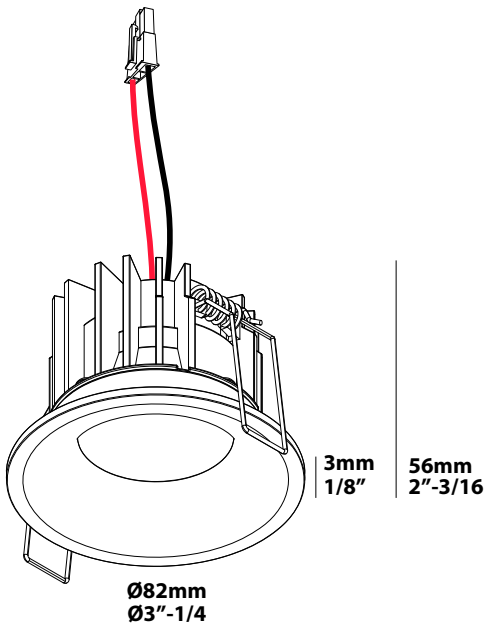
Rough-in and trim connection through pre-installed snap-in connector

Specification features

- Body fabricated of surface treated aluminum
- Pre-installed springs for easy installation
- Suitable for dry and damp locations

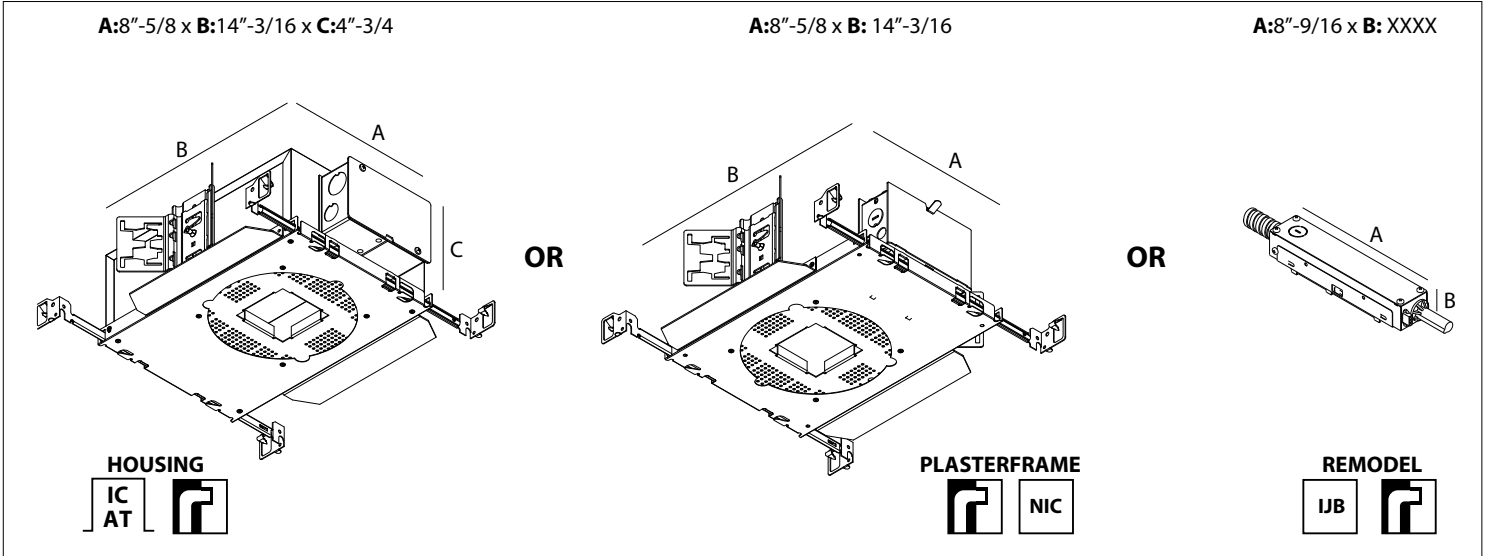
Dimensions

- Height: 56 mm = 2" - 3/16
- Width: Ø82 = Ø3" - 1/4
- Ceiling Cut out: Ø 76 mm = Ø 3"





ROUGH-IN REQUIREMENTS



Required options (Values per LED)

New construction

Housing for IC and/or airtight applications

Range	Installation type	Power/Dimming		Voltage 1 - 120V 2 - 277V 3 - 120-277V	Mounting Option 0 - No bar hangers 1 - Bar hangers standard
6 202	7 - IC AT Housing S	42 - 7W 0-10V DIM	47	3 - 120-277V	1 - Bar hangers standard
6 202	7 - IC AT Housing S	46 - 7W mains dimmable (ELV)	47	1 - 120V	1 - Bar hangers standard
6 202	7 - IC AT Housing S	48 - 7W non-dimmable	47	1 - 120V	1 - Bar hangers standard
6 202	7 - IC AT Housing S	43 - 10W 0-10V DIM	47	3 - 120-277V	1 - Bar hangers standard
6 202	7 - IC AT Housing S	49 - 10W non-dimmable	47	1 - 120V	1 - Bar hangers standard
6 202	7 - IC AT Housing S	62 - 10W mains dimmable (ELV)	47	1 - 120V	1 - Bar hangers standard

New construction

Plasterframe for NON-IC applications

Range	Installation type	Power/Dimming		Voltage 1 - 120V 2 - 277V 3 - 120-277V	Mounting Option 0 - No bar hangers 1 - Bar hangers standard
6 202	01 - NIC Plasterframe S	00 - /	47	0 - /	1 - Bar hangers standard
6 202	01 - NIC Plasterframe S	46 - 7W mains dimmable (ELV)	47	1 - 120V	1 - Bar hangers standard
6 202	01 - NIC Plasterframe S	48 - 7W non-dimmable	47	1 - 120V	1 - Bar hangers standard
6 202	01 - NIC Plasterframe S	49 - 10W non-dimmable	47	1 - 120V	1 - Bar hangers standard
6 202	01 - NIC Plasterframe S	62 - 10W mains dimmable (ELV)	47	1 - 120V	1 - Bar hangers standard

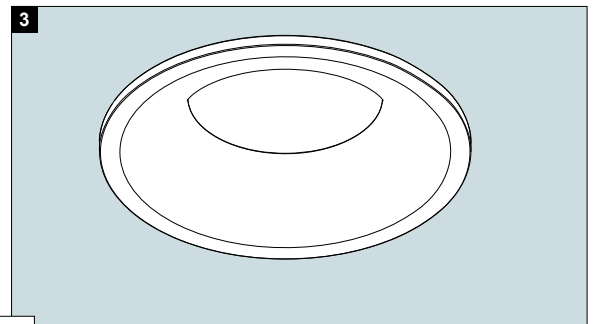
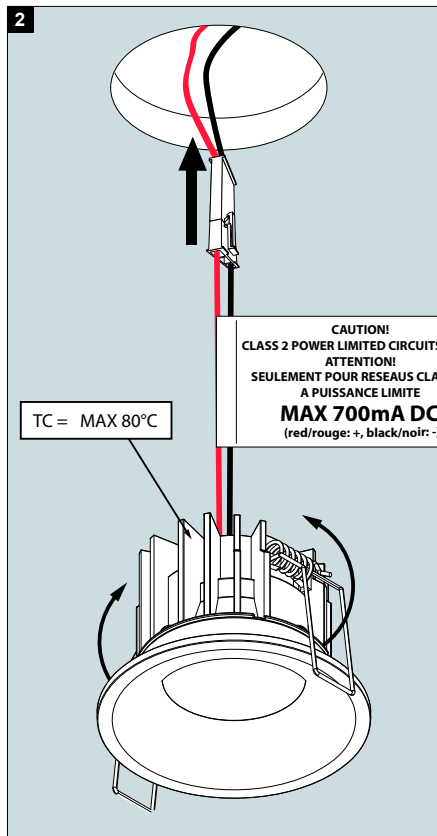
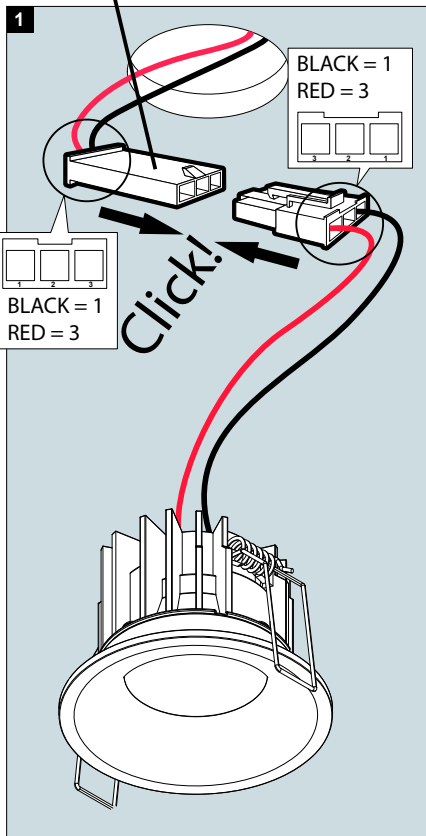
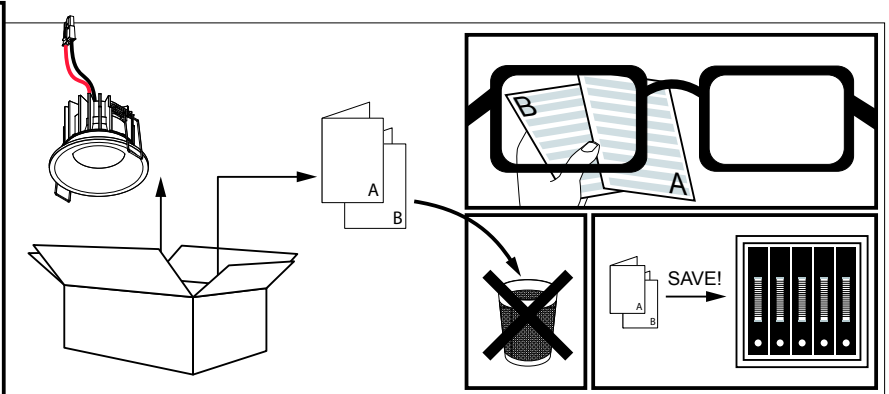
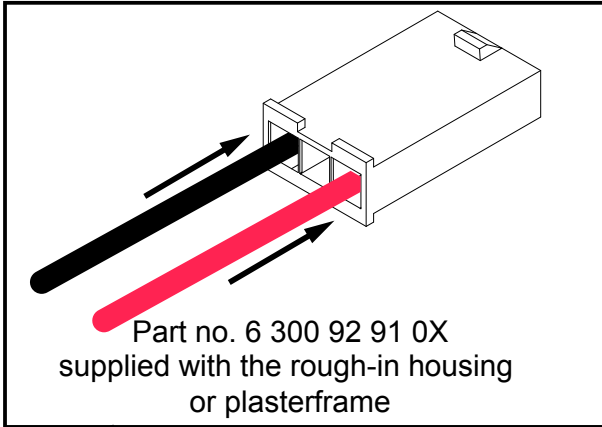
Remodel IJB

Range	Installation type	Power/Dimming		Voltage 1 - 120V 2 - 277V 3 - 120-277V	Spacings 1 - Standard spacings 1 - Marked spacings
6 202	9 - NIC-IC IJB	19 - 10W mains dimmable (ELV)		1 - 120V	1 - Standard spacings
6 202	9 - NIC-IC IJB	20 - 10W 0-10V DIM		1 - 120V	1 - Standard spacings
6 202	9 - NIC-IC IJB	20 - 10W 0-10V DIM		2 - 277V	1 - Standard spacings
6 202	9 - NIC-IC IJB	21 - 14W mains dimmable (ELV)		1 - 120V	1 - Marked spacings
6 202	9 - NIC-IC IJB	69 - 14W 0-10V DIM		1 - 120V	1 - Marked spacings
6 202	9 - NIC-IC IJB	69 - 14W 0-10V DIM		2 - 277V	1 - Marked spacings

⁽¹⁾Values based on 33° White finish



INSTALLATION LUMINAIRE



 INSTALLATION IJB

