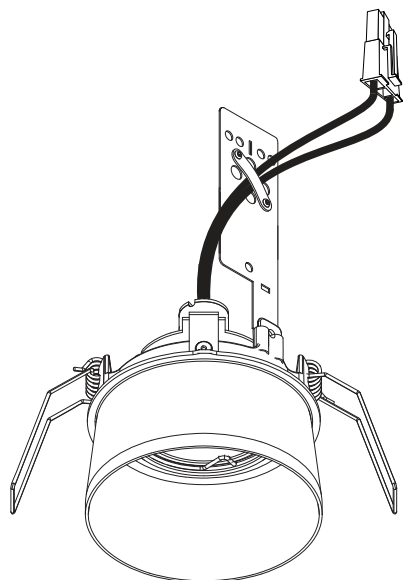
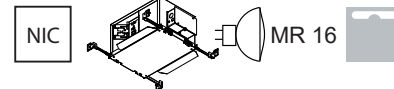


**DIRO TRIMLESS OK S1**

6 202 14 90 ◇

◇ = A / W / B



5" - 3/16  
132 mm

Ø 3" 3/16  
Ø 81 mm

**Application**

Finishing section to be used with DELTA LIGHT® rough-in housing.

**Ceiling Thickness**

For 5/8" ceiling standard up to 7/8"

**Light source**

For one max 7,5W MR16 lamp (not included)  
Only for SORAA type SM16-07

**Voltage**

12V AC

**Connector**

Housing and trim connection through pre-installed snap-in connector

**Specification features**

Housing fabricated of surface treated aluminum  
Pre-installed springs for easy installation  
Gx5.3 lampholder  
Suitable for damp location

**Dimensions**

Height: 132 mm = 5" - 5/16  
Diameter: Ø 81 mm = 3" - 3/16  
Ceiling Cut out: Ø 79 mm = 3" - 3/16 (KIT)

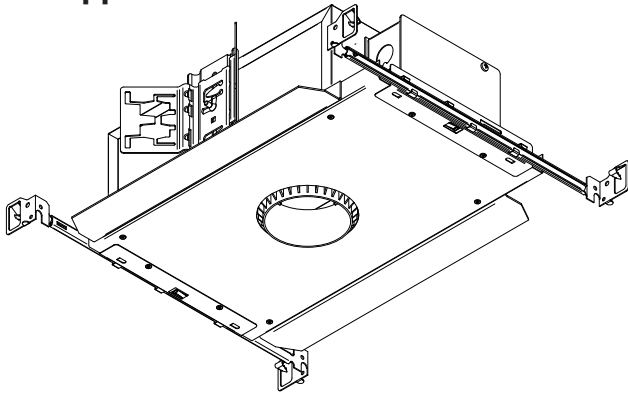
**Compatible Rough-in Housings required**

6 300 92 91 03	Snap-in connector female part
6 202 702 11 1X	IC/NIC AT S 12VAC LED 7,5W MAX 120V TRIMLESS



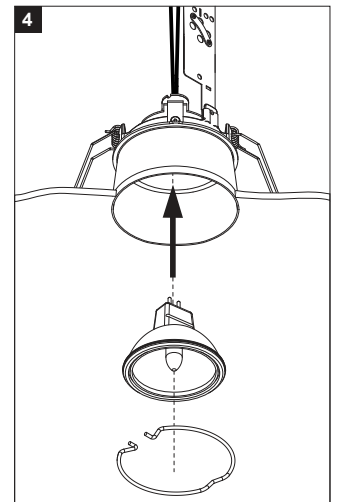
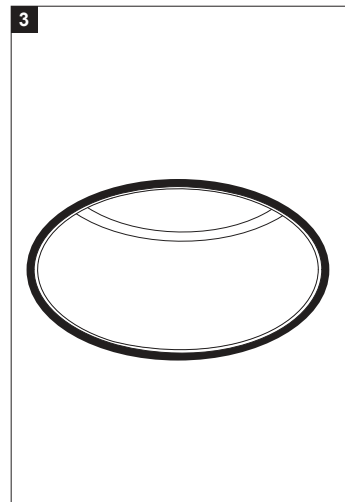
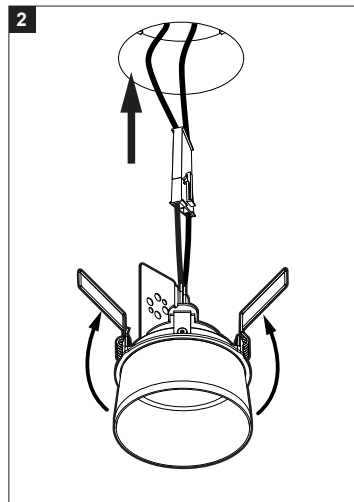
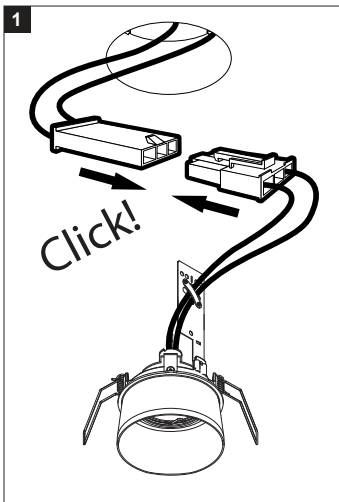
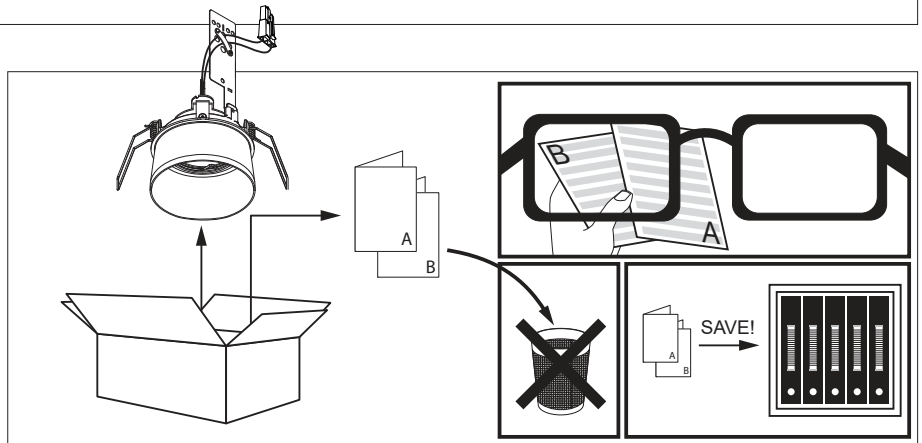
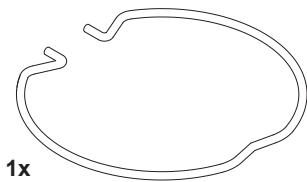
INSTALLATION LUMINAIRE

Not Supplied



Rough-in Housing  
Required

Accessory set



**CAUTION! - RISK OF FIRE**  
 THIS PRODUCT MUST BE INSTALLED IN ACCORDANCE WITH THE APPLICABLE INSTALLATION CODE BY A PERSON FAMILIAR WITH THE CONSTRUCTION AND OPERATION OF THE PRODUCT AND THE HAZARDS INVOLVED.

**ATTENTION! - RISQUE D'INCENDIE**  
 CE PRODUIT DOIT ÊTRE INSTALLÉ SELON LE CODE D'INSTALLATION PERTINENT, PAR UNE PERSONNE QUI CONNAÎT BIEN LE PRODUIT ET SON FONCTIONNEMENT AINSI QUE LES RISQUES INHÉRENTS.