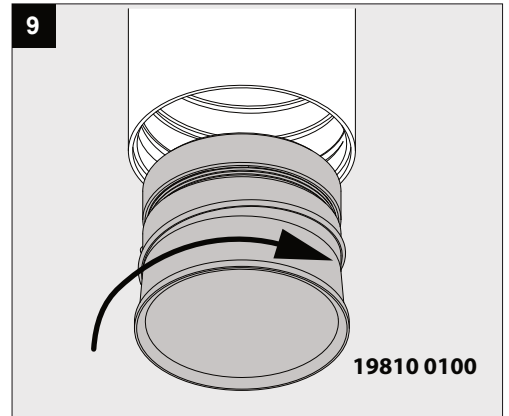
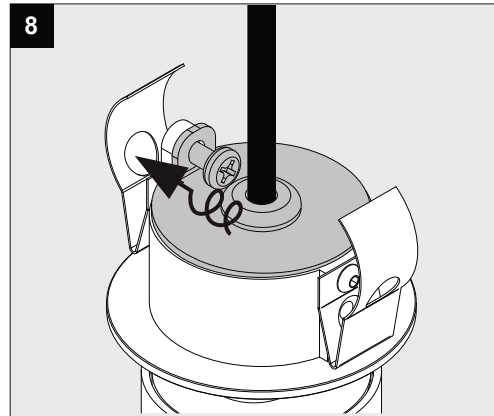
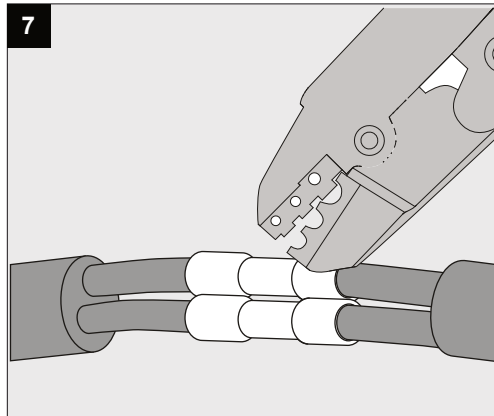
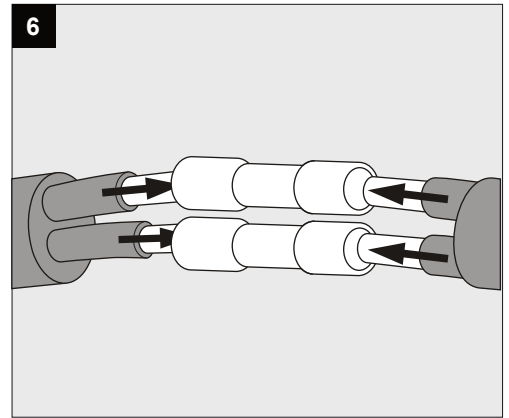
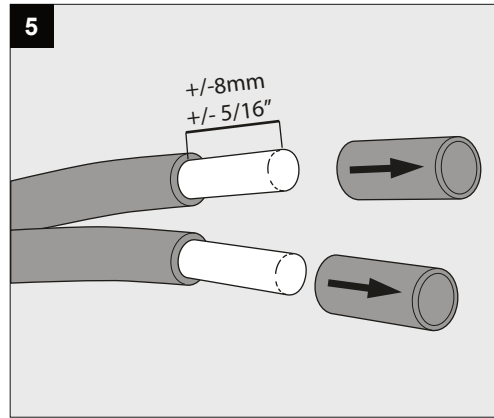
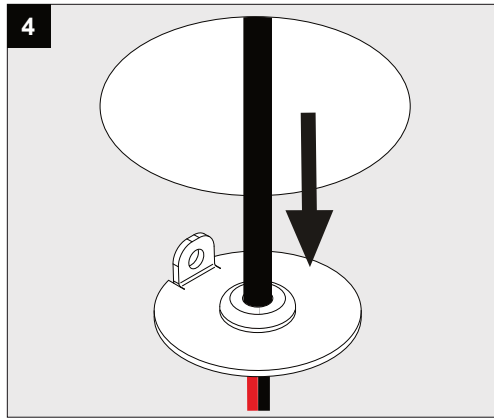
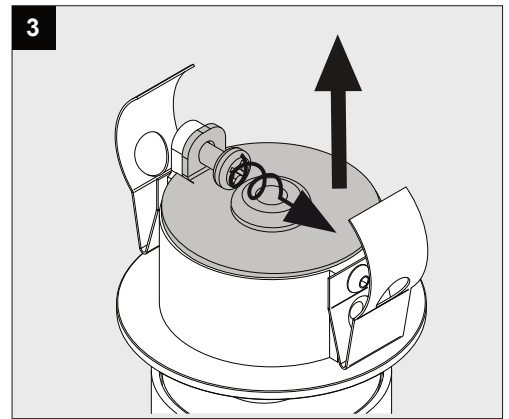
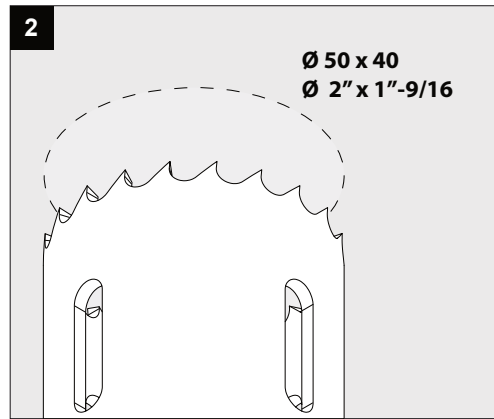
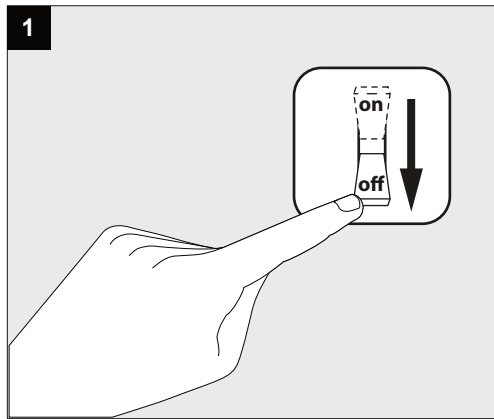
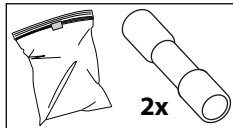
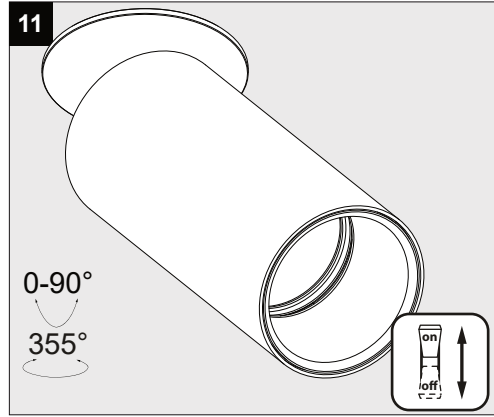
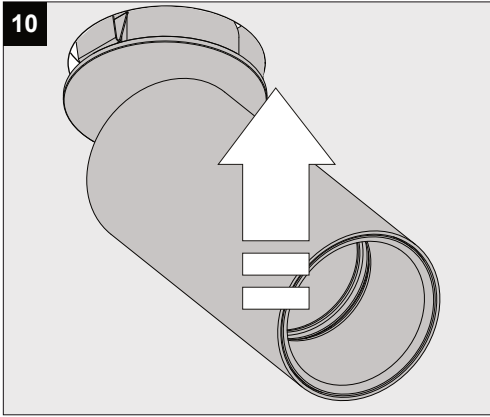


Conforms to ANSI/UL Std. 1598  
Cert. to CAN/CSA Std. 22.2 No. 250.0

# SPY 52 CLIP **A**





**ACCESSORIES**

